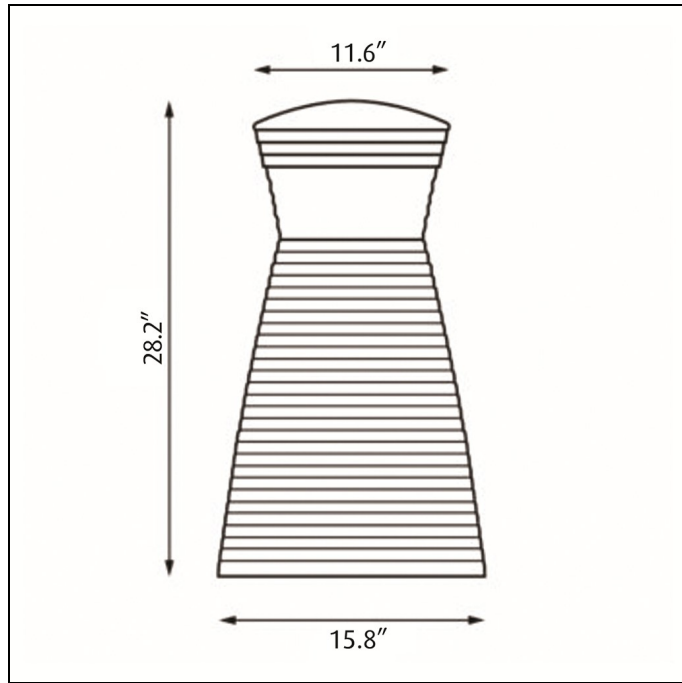


Rubbie



Design Peter Bysted

Concept The fixture emits a round and uniform light distribution due to the internal reflector. A vertical light distribution secures a good face recognition and the feeling of safety. The combination of inner reflector and clear diffuser ensures a wide and glare free light distribution.

Finish Black

Material Body: UV -stabilized EPDM rubber, Enclosure: Clear polycarbonate, Top shade: UV -stabilized EPDM rubber. Base plate: Galvanized steel.

Mounting Base plate dimension: 15.3". Base plate: mounted to concrete base with 3 anchor bolts.

Weight Max. 38.5 lbs.

Label cULus, Wet location. IBEW.

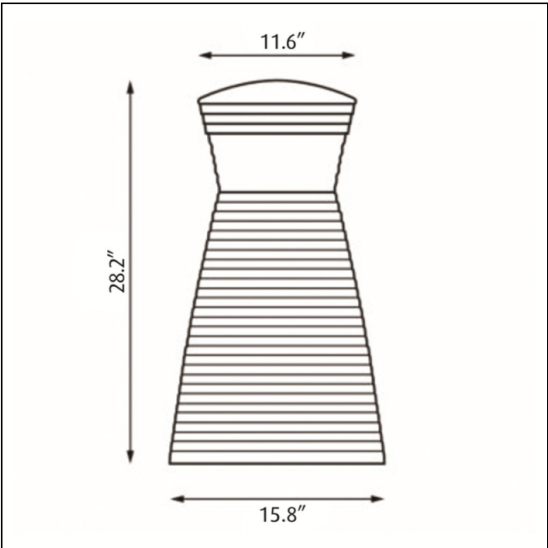
Product Code	Light source	Voltage	Finish
RUB-B	19W LED 3000K 19W LED 4000K	120-277V	BLK

Rubbie

RUBBIE-LED

PRODUCT SPECIFICATION

Product description



- Design** Peter Bysted
- Concept** The fixture emits a round and uniform light distribution due to the internal reflector. A vertical light distribution secures a good face recognition and the feeling of safety. The combination of inner reflector and clear diffuser ensures a wide and glare free light distribution.
- Finish** Black
- Material** Body: UV -stabilized EPDM rubber, Enclosure: Clear polycarbonate, Top shade: UV -stabilized EPDM rubber. Base plate: Galvanized steel.
- Mounting** Base plate dimension: 15.3". Base plate: mounted to concrete base with 3 anchor bolts.
- Weight** Max. 38.5 lbs.
- Label** cULus, Wet location. IBEW.

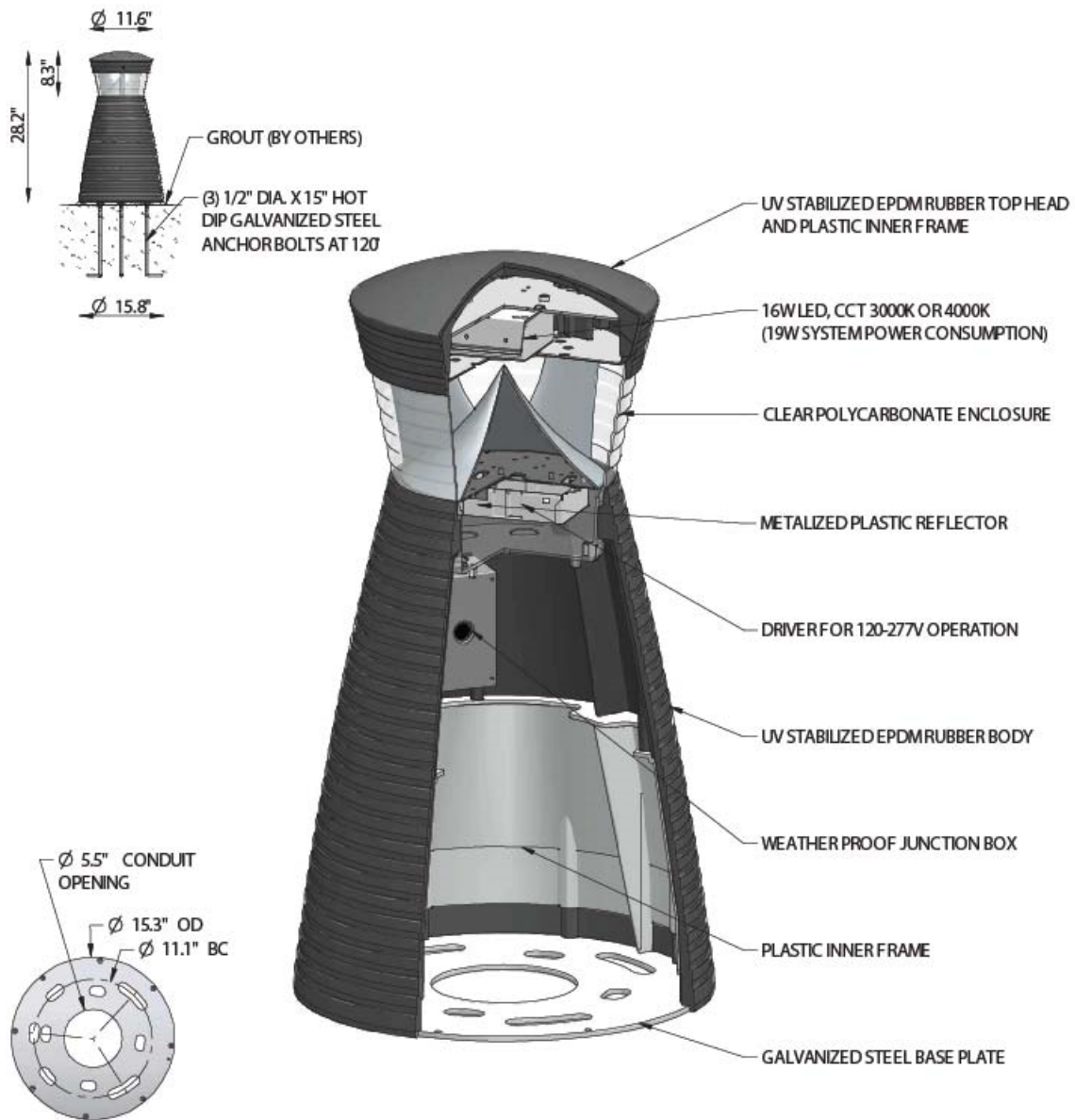
Product Code	Light source	Voltage	Finish
RUB-B	19W LED 3000K 19W LED 4000K	120-277V	BLK

Rubbie

RUBBIE-LED

PRODUCT SPECIFICATION

Material description



BASE PLATE DETAIL
(CONTACT FACTORY FOR FULL SIZE BOLT LOCATION TEMPLATE)

NOTES:
LED TECHNOLOGY IS RAPIDLY CHANGING. LEDS ARE MADE IN LOTS AND SORTED INTO BINS BASED ON WAVELENGTHS RANGES THAT ACHIEVE COLORS. PRODUCTS ORDERED AT DIFFERENT TIMES MAY NOT HAVE THE SAME COLOR APPEARANCE.

Rubbie

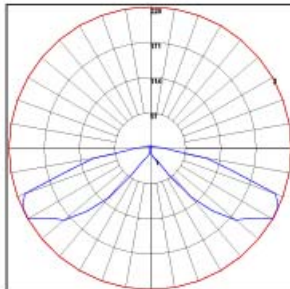
RUBBIE-LED

PRODUCT SPECIFICATION

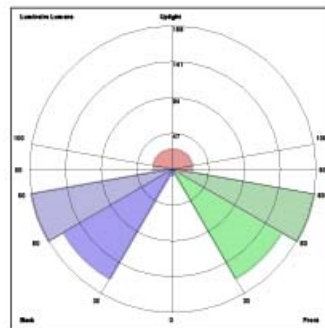
Light Measurements

Photometric Report: RUBBIE-19W LED
 Report No: L7450
 Poulsen Report No: RUBBIE-19W LED
 Luminaire: RUBBIE
 Lamp: 19W/LED/3000K

Description: All data shown are per 811 lumens. This report can be used for calculation on all versions listed below. Use only actual lumen data calculating.



Vertical Angle	Candela
0	0.1
5	0.3
15	13.5
25	18.9
35	53.1
45	144.0
55	197.4
65	228.1
75	134.2
90	23.8
120	4.5
150	5.4
180	0.1



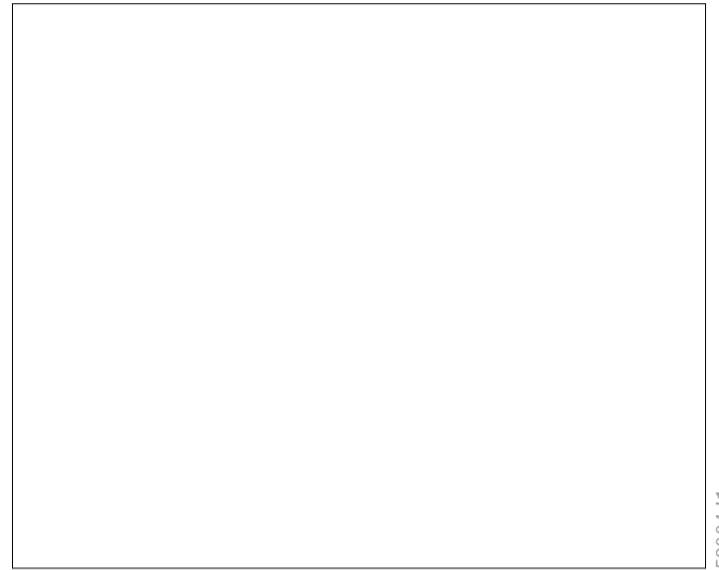
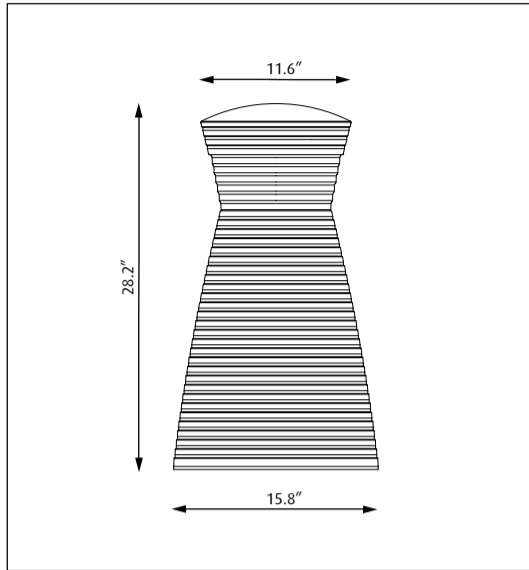
Zonal Lumen Summary

Zone	Lumens	% Lamp	% Fixture
0-20	3.85	0.50	0.50
0-30	12.83	1.60	1.60
0-40	50.43	6.20	6.20
0-60	342.86	42.30	42.30
0-80	718.73	88.60	88.60
0-90	769.29	94.90	94.80
10-90	769.03	94.80	94.80
20-40	46.57	5.70	5.70
20-50	158.26	19.50	19.50
40-70	516.00	63.60	63.60
60-80	375.87	46.30	46.30
70-80	152.30	18.80	18.80
80-90	50.56	6.20	6.20
90-110	26.20	3.20	3.20
90-120	31.73	3.90	3.90
90-130	35.27	4.30	4.30
90-150	40.20	5.00	5.00
90-180	41.99	5.20	5.20
110-180	15.79	1.90	1.90
0-180	811.28	100.00	100.00

LUMINAIRE CLASSIFICATION SYSTEM (LCS)

	Lumens	% Lamp	% Luminaire
FL - Front-Low (0-30)	6.4	N.A	0.8
FM - Front-Medium (30-60)	165.0	N.A	20.3
FH - Front-High (60-90)	187.9	N.A	23.2
FVH - Front-Very High (80-90)	25.3	N.A	3.1
BL - Back-Low (0-30)	6.4	N.A	0.8
BM - Back-Medium (30-60)	165.0	N.A	20.3
BH - Back-High (60-90)	187.9	N.A	23.2
BVH - Back-Very High (80-90)	25.3	N.A	3.1
UL - Uplight-Low (90-100)	16.7	N.A	2.1
UH - Uplight-High (100-180)	25.3	N.A	3.1
Total	811.2	N.A	100.0
BUG Rating	B1-U2-G1		

Design Peter Bysted



59004-11

Light source	Voltage	Weight	Electric shock protection	Ingress protection
LED	120-277V	38.5 Lbs	Cl. I, Grounded	IP 65, Wet location

Recommended cleaning substances:

Wipe off dust with a dry, soft cloth. Remove greasy spots etc. with a soft cloth dampened in lukewarm water (<122° F/ 50° C) with a mild detergent.

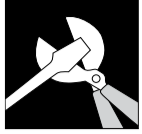
Warning: Scouring powder and similar substances will scratch surfaces.

All installation is subject to local code and jurisdiction. Consult a qualified electrician to ensure correct branch circuit conductor. The installer must ensure that the foundation is stable and can support the luminaire's weight.

The installer must use proper means to secure the luminaire to the ground.

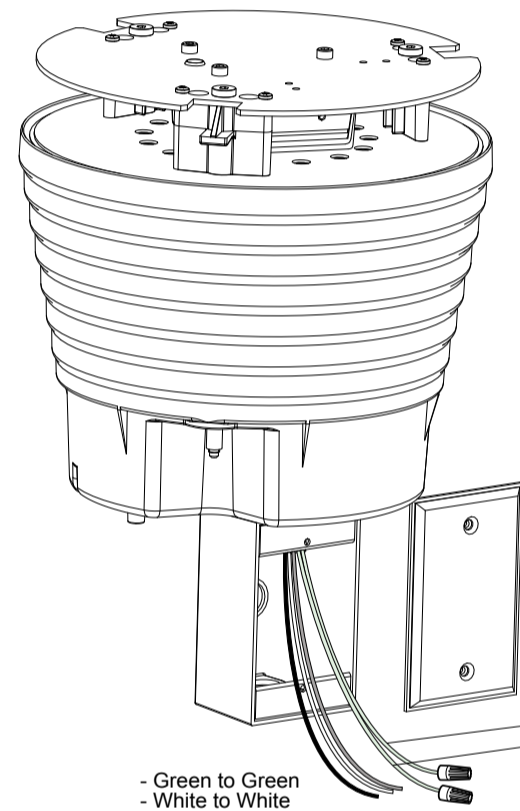
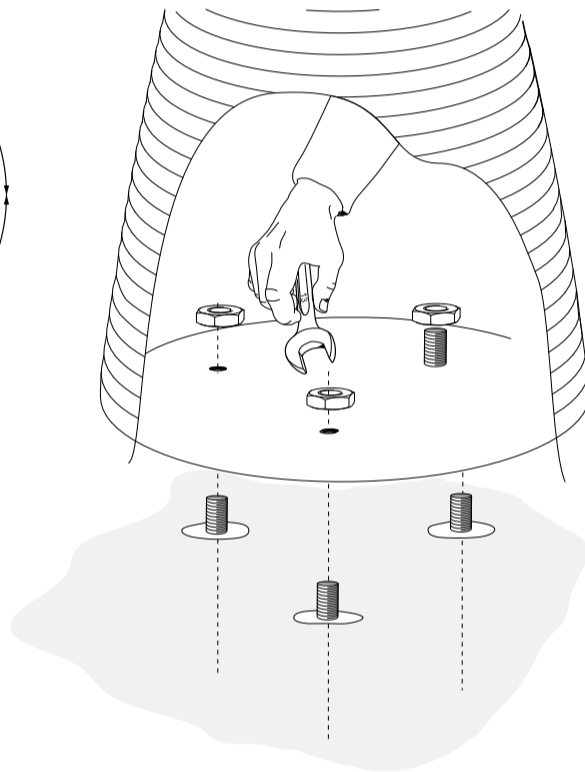
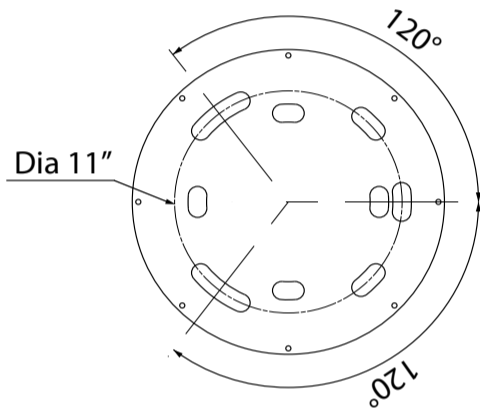
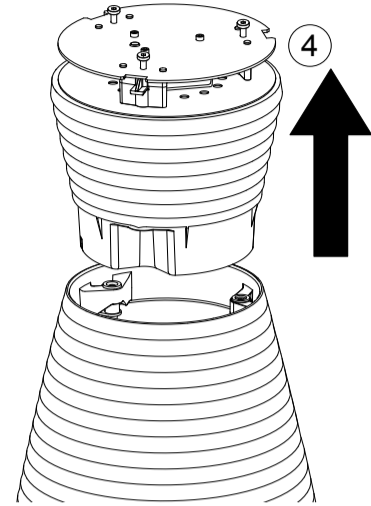
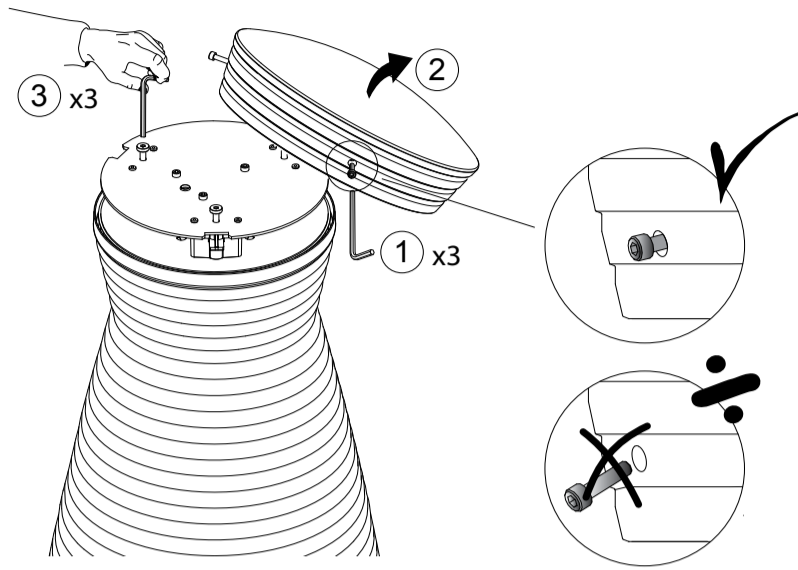
Option:

The light level in this fixture can be controlled (100% ~ 10%) by connecting the two dimming wires to a 1-10V dimming signal.



4 mm


59004-11



- Green to Green
- White to White
- Black to Black

RED wire: Dim +
BLUE wire: Dim -



 The installer must ensure to use proper connection means when connecting to dimming signal 1-10V.

