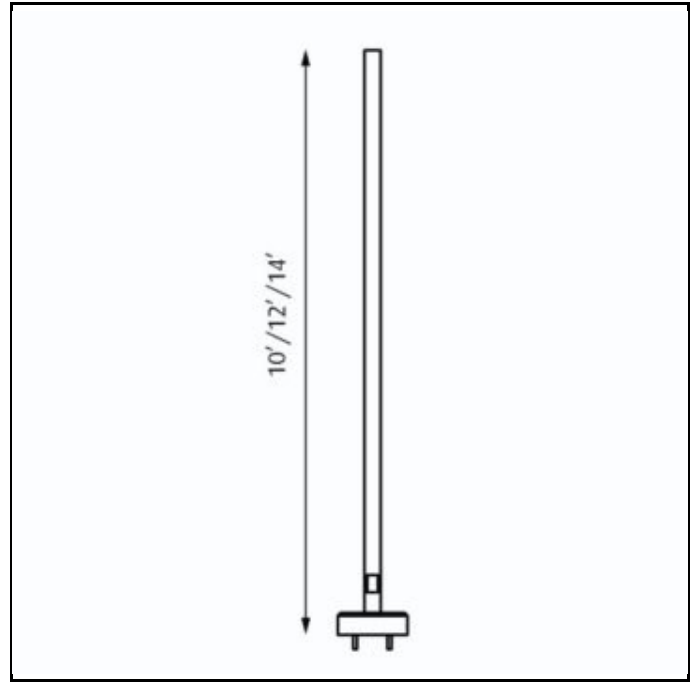


Pole Round Straight



Design Louis Poulsen Lighting A/S

Concept

Finish Brushed aluminum. Black, graphite grey, grey, natural painted aluminum or white, powder coated.

Material Aluminum.

Mounting Installation: Refer to technical specification sheet for mounting details.

Weight

Label

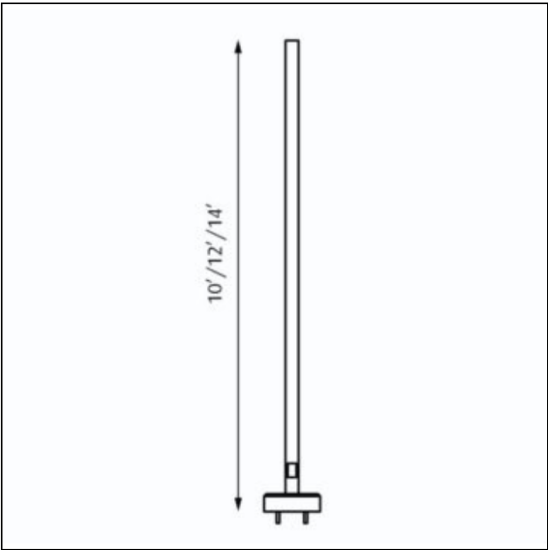
Product Code	Dimension	Finish
RSA-4.5	10'	BLK
	12'	BR ALU
	14'	GRAPH
		GREY
		NAT PAINT ALU
		WHT

Pole Round Straight

RSA-4.5

PRODUCT SPECIFICATION

Product description



Design Louis Poulsen A/S

Concept

Finish Brushed aluminum. Black, graphite grey, grey, natural painted aluminum or white, powder coated.

Material Aluminum.

Mounting Installation: Refer to technical specification sheet for mounting details.

Weight

Label

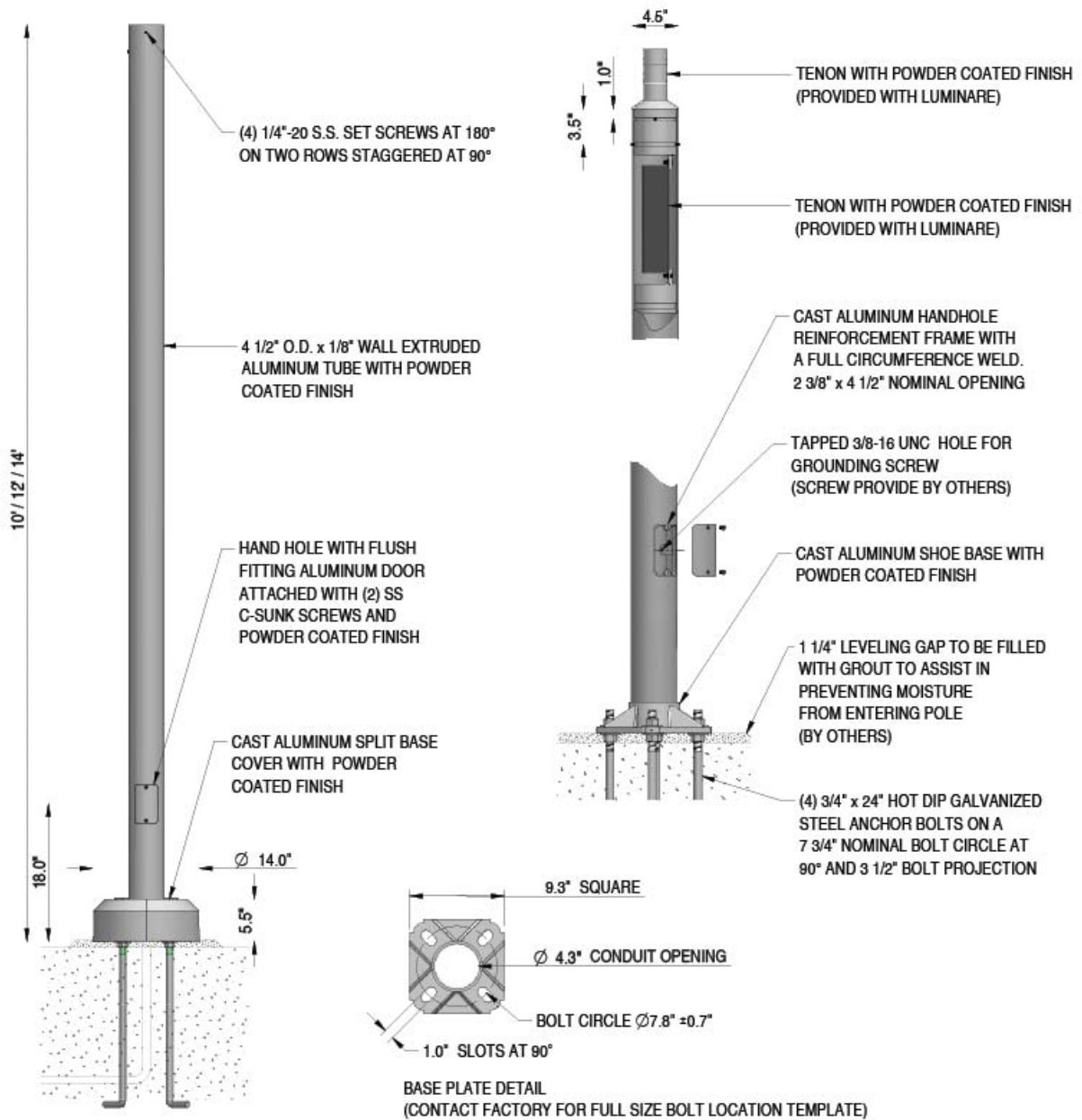
Product Code	Dimension	Finish
RSA-4.5	10'	BLK
	12'	BR ALU
	14'	GRAPH
		GREY
	NAT PAINT ALU	
	WHT	

Pole Round Straight

RSA-4.5

PRODUCT SPECIFICATION

Material description



Pole Round Straight

RSA-4.5

PRODUCT SPECIFICATION

Light Measurements

EPA QUICK REFERENCE CHART:

CATALOG No.	"H"	BOLTS PROJ.	BOLTS CIRCLE	EFFECTIVE PROJECTED AREA (EPA) IN SF AT:				
				70 MPH	80 MPH	90 MPH	100 MPH	110 MPH
RSA 4.5"	10'-0"	3 1/2"	8.0" D.	12.5	9.2	7.1	5.6	4.6
RSA 4.5"	12'-0"			9.8	7.1	5.3	4.2	3.4
RSA 4.5"	14'-0"			7.6	6.3	3.5	2.6	1.9

TOTAL EPA OF POSTTOP ARM AND LUMINAIRE, MUST BE LESS THAN OR EQUAL TO EPA GIVEN FOR WIND VELOCITY ZONE