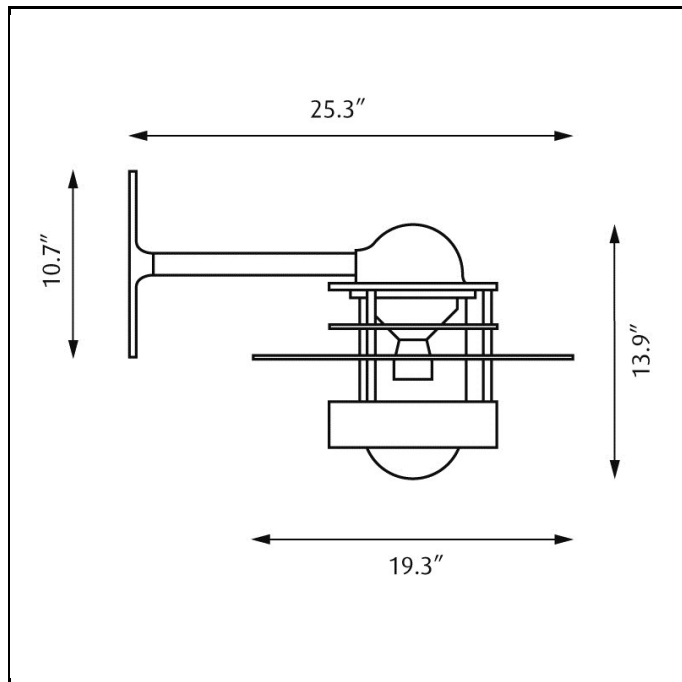


Planet Wall



Design Jens Møller-Jensen

Concept The fixture provides characteristic symmetrical and functional lighting. The horizontal ring reflects the light downwards, but its position also allows some light to slip past and illuminate the fixture itself. The anti-glare ring prevents from horizontal glare, and the diffuser is available either as clear, opal or partly frosted depending on the desired light source.

Finish Natural painted aluminum or white, powder coated.

Material Diffuser: Injection molded clear polycarbonate (MH), injection molded partly frosted polycarbonate (CMH) or injection molded white opal polycarbonate (CF). Saturn ring: Die cut aluminum. Anti-glare ring: Spun aluminum. Top: Die cast aluminum. Mounting plate: Die cast aluminum. Arm: Extruded aluminum.

Mounting Surface: Mounted directly to a recessed ballast box provided (MH, CMH) or mounted directly to finished surface over a recessed 4" octagonal junction box (CF).

Weight Max. 24 lbs.

Label cULus, Wet location. IBEW.

Product Code	Light source	Voltage	Finish
PL-W	1/100W/MH/ED-17 medium	120/208/240/277V	NAT PAINT ALU
	1/26W/32W/42W/CF GX24q-3/4	120-277V	WHT
	1/70W/CMH/T-6 G12		

Specification notes

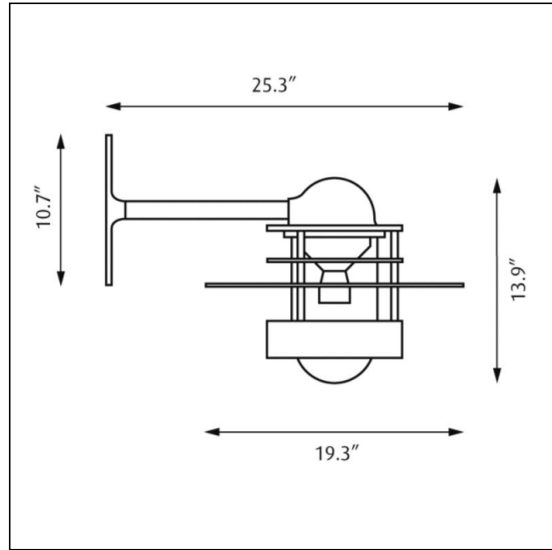
- a. CMH variant provided with 120-277V ballast.
- b. CF variant provided with 120-277V ballast.
- c. MH variant provided with 120/208/240/277V ballast.

Planet Wall

PL-W-1-100W-MH

PRODUCT SPECIFICATION

Product description



Design Jens Møller-Jensen

Concept The fixture provides characteristic symmetrical and functional lighting. The horizontal ring reflects the light downwards, but its position also allows some light to slip past and illuminate the fixture itself. The anti-glare ring prevents from horizontal glare, and the diffuser is available either as clear, opal or partly frosted depending on the desired light source.

Finish Natural painted aluminum or white, powder coated.

Material Diffuser: Injection molded clear polycarbonate (MH), injection molded partly frosted polycarbonate (CMH) or injection molded white opal polycarbonate (CF). Saturn ring: Die cut aluminum. Anti-glare ring: Spun aluminum. Top: Die cast aluminum. Mounting plate: Die cast aluminum. Arm: Extruded aluminum.

Mounting Surface: Mounted directly to a recessed ballast box provided (MH, CMH) or mounted directly to finished surface over a recessed 4" octagonal junction box (CF).

Weight Max. 24 lbs.

Label cULus, Wet location. IBEW.

Product Code	Light source	Voltage	Finish
PL-W	1/100W/MH/ED-17 medium	120/208/240/277V	NAT PAINT ALU
	1/26W/32W/42W/CF GX24q-3/4	120-277V	WHT
	1/70W/CMH/T-6 G12		

Specification notes

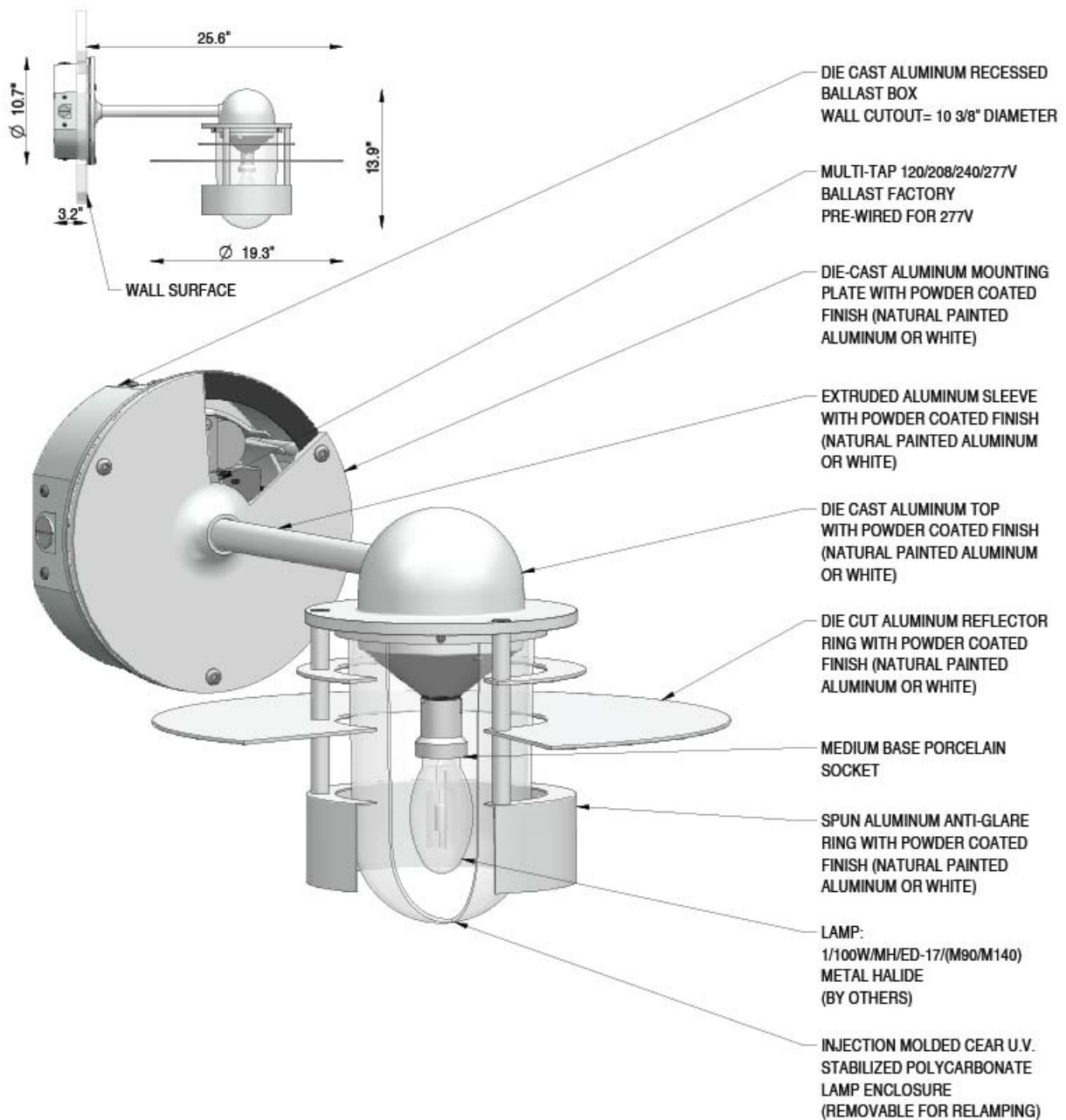
- a. CMH variant provided with 120-277V ballast.
- b. CF variant provided with 120-277V ballast.
- c. MH variant provided with 120/208/240/277V ballast.

Planet Wall

PL-W-1-100W-MH

PRODUCT SPECIFICATION

Material description



Planet Wall

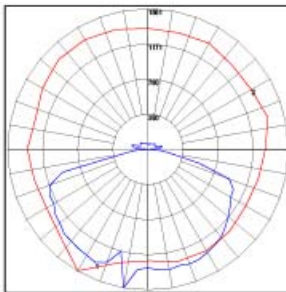
PL-W-1-100W-MH

PRODUCT SPECIFICATION

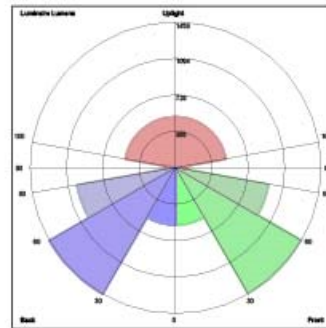
Light Measurements

Photometric Report: PL-W-1-100W-MH
 Report No.: LP1074
 Poulsen Report No.: PL-W-1-100W-MH
 Luminaire: PLANET WALL
 Lamp: 1/100W/MH/ED-17
 Efficiency: 77%

Description: All data shown are per 8800 lumens. This report can be used for calculation on all versions listed below. Use only actual lumen data calculating.



Candlepower Distribution	
Vertical Angle	Candela
0	1315.6
5	1256.4
15	1380.7
25	1388.8
35	1341.0
45	1287.7
55	1228.3
65	1129.7
75	774.7
90	0.0
120	85.7
150	87.6
180	59.1



LUMINAIRE CLASSIFICATION SYSTEM (LCS)

	Lumens	% Lamp	% Luminaire
FL - Front-Low (0-30)	570.6	6.5	8.4
FM - Front-Medium (30-60)	1448.0	16.4	21.4
FH - Front-High (60-90)	945.6	10.7	14.0
FVH - Front-Very High (80-90)	89.7	0.8	1.0
BL - Back-Low (0-30)	568.9	6.5	8.4
BM - Back-Medium (30-60)	1458.9	16.6	21.6
BH - Back-High (60-90)	1000.9	11.4	14.8
BVH - Back-Very High (80-90)	82.1	0.9	1.2
UL - Uplight-Low (90-100)	108.6	1.2	1.6
UH - Uplight-High (100-180)	506.6	5.8	7.5
Total	8757.9	78.8	100.0

BUG Rating B3-U4-G1

Zonal Lumen Summary

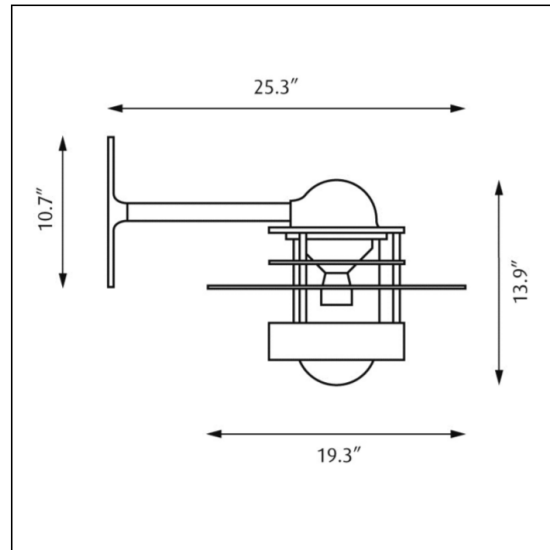
Zone	Lumens	% Lamp	% Fixture
0-20	510.59	5.80	7.60
0-30	1139.58	12.90	16.90
0-40	1975.07	22.40	29.20
0-60	4044.49	46.00	59.60
0-80	5990.96	68.10	90.90
0-90	6142.74	69.80	93.00
10-90	6014.62	68.30	89.00
20-40	1464.48	16.60	21.70
20-50	2453.18	27.90	36.30
40-70	3203.83	36.40	47.40
60-80	1946.47	22.10	28.80
70-80	812.05	9.20	12.00
80-90	151.78	1.70	2.20
90-110	264.52	3.00	3.90
90-120	353.79	4.00	5.20
90-130	438.98	5.00	6.50
90-150	559.29	6.40	8.30
90-160	615.15	7.00	9.10
110-180	350.62	4.00	5.20
0-180	6757.88	76.80	100.00

Planet Wall

PL-W-1-70W-CMH

PRODUCT SPECIFICATION

Product description



Design Jens Møller-Jensen

Concept The fixture provides characteristic symmetrical and functional lighting. The horizontal ring reflects the light downwards, but its position also allows some light to slip past and illuminate the fixture itself. The anti-glare ring prevents from horizontal glare, and the diffuser is available either as clear, opal or partly frosted depending on the desired light source.

Finish Natural painted aluminum or white, powder coated.

Material Diffuser: Injection molded clear polycarbonate (MH), injection molded partly frosted polycarbonate (CMH) or injection molded white opal polycarbonate (CF). Saturn ring: Die cut aluminum. Anti-glare ring: Spun aluminum. Top: Die cast aluminum. Mounting plate: Die cast aluminum. Arm: Extruded aluminum.

Mounting Surface: Mounted directly to a recessed ballast box provided (MH, CMH) or mounted directly to finished surface over a recessed 4" octagonal junction box (CF).

Weight Max. 24 lbs.

Label cULus, Wet location. IBEW.

Product Code	Light source	Voltage	Finish
PL-W	1/100W/MH/ED-17 medium	120/208/240/277V	NAT PAINT ALU
	1/26W/32W/42W/CF GX24q-3/4	120-277V	WHT
	1/70W/CMH/T-6 G12		

Specification notes

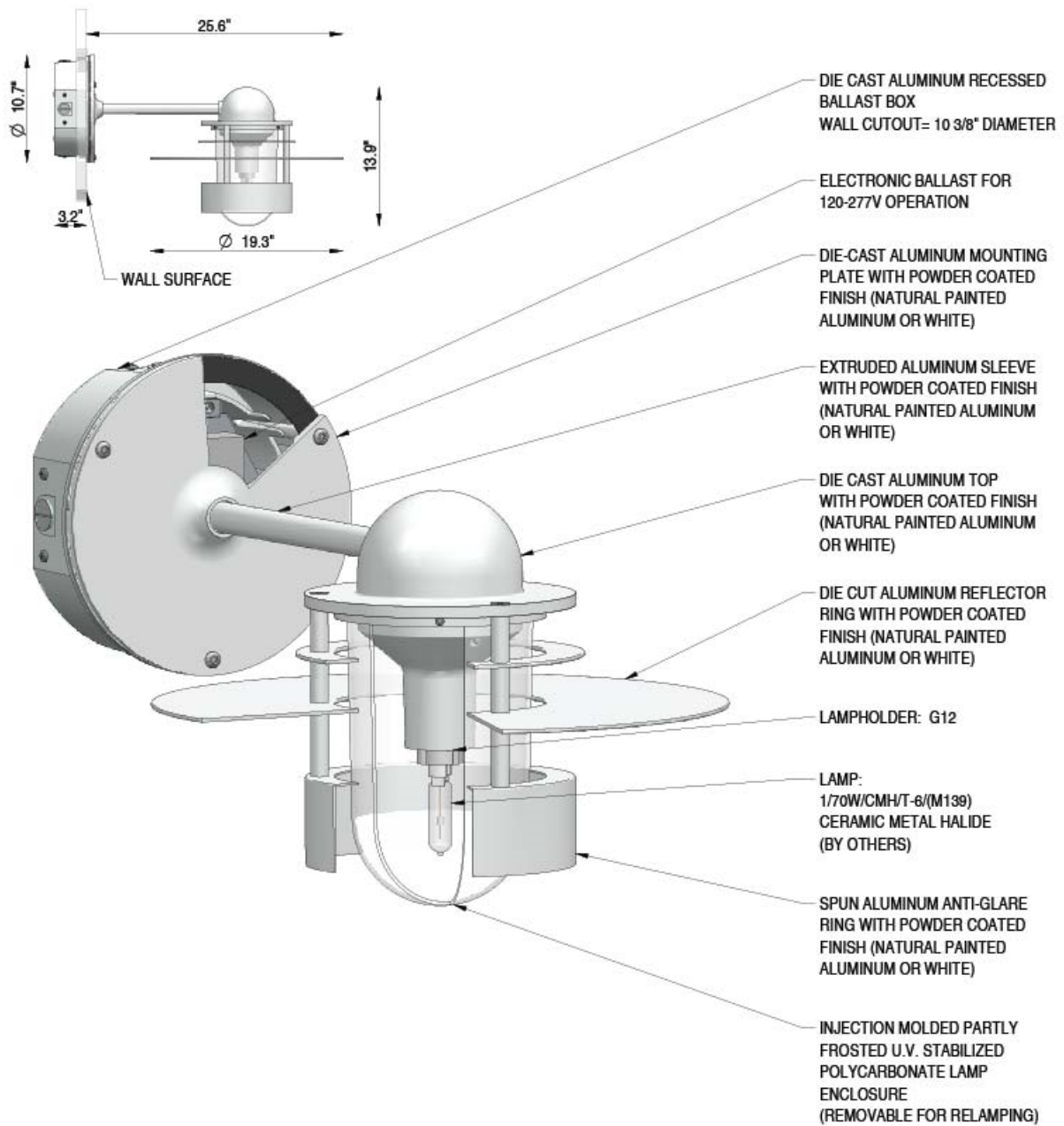
- a. CMH variant provided with 120-277V ballast.
- b. CF variant provided with 120-277V ballast.
- c. MH variant provided with 120/208/240/277V ballast.

Planet Wall

PL-W-1-70W-CMH

PRODUCT SPECIFICATION

Material description



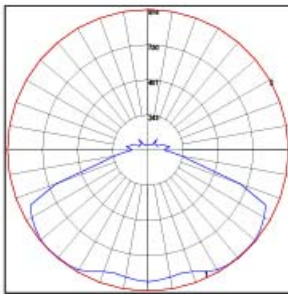
Planet Wall

PL-W-1-70W-CMH

PRODUCT SPECIFICATION

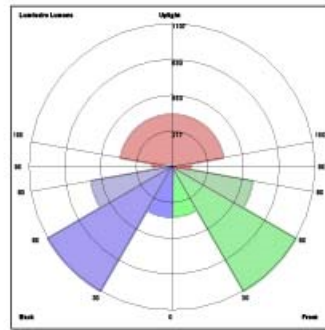
Light Measurements

Photometric Report: PL-W-1-70W-CMH
 Report No.: 6041902002 Louis Poulsen Lighting A/S
 Poulsen Report No.: PL-W-1-70W-CMH
 Luminaire: PLANET WALL
 Lamp: 1/70W/CMH/T-6 G12
 Efficiency: 75%
 Description: All data shown are per 6600 lumens. This report can be used for calculation on all versions listed below. Use only actual lumen data calculating.



Candlepower Distribution	
Vertical Angle	Candela
0	910.3
5	902.0
15	883.5
25	928.1
35	989.5
45	973.9
55	952.9
65	900.4
75	343.9
90	112.2
120	72.2
150	40.3
180	34.5

Zonal Lumen Summary			
Zone	Lumens	% Lamp	% Fixture
0-20	337.73	5.10	6.80
0-30	767.47	11.60	15.40
0-40	1374.91	20.80	27.60
0-60	2960.76	45.20	59.80
0-80	4249.54	64.40	85.30
0-90	4436.33	67.20	89.10
10-90	4350.47	65.90	87.40
20-40	1037.19	15.70	20.80
20-50	1789.86	27.10	35.90
40-70	2450.89	37.10	49.20
60-80	1268.77	19.20	25.50
70-80	423.74	6.40	8.50
80-90	186.79	2.80	3.80
90-110	281.46	4.30	5.70
90-120	361.00	5.50	7.20
90-130	421.88	6.40	8.50
90-150	511.87	7.80	10.30
90-160	544.07	8.20	10.90
110-180	262.61	4.00	5.30
0-180	4980.4	75.50	100.00



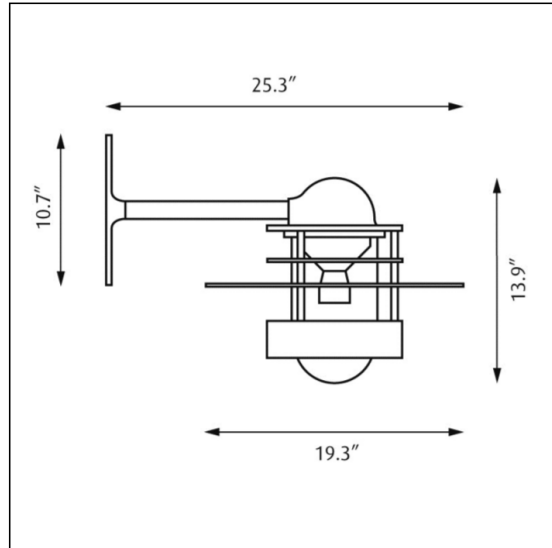
LUMINAIRE CLASSIFICATION SYSTEM (LCS)			
	Lumens	% Lamp	% Luminaire
FL - Front-Low (0-30)	383.7	5.8	7.7
FM - Front-Medium (30-60)	1108.6	18.8	22.2
FH - Front-High (60-90)	634.4	9.6	12.7
FVH - Front-Very High (80-90)	83.4	1.4	1.9
BL - Back-Low (0-30)	383.7	5.8	7.7
BM - Back-Medium (30-60)	1108.6	18.8	22.2
BH - Back-High (60-90)	634.4	9.6	12.7
BVH - Back-Very High (80-90)	83.4	1.4	1.9
UL - Uplight-Low (90-100)	144.0	2.2	2.9
UH - Uplight-High (100-180)	400.1	6.1	8.0
Total	4980.3	75.5	100.0
BUG Rating	B1-U3-G1		

Planet Wall

PL-W-1-42W-CF

PRODUCT SPECIFICATION

Product description



Design Jens Møller-Jensen

Concept The fixture provides characteristic symmetrical and functional lighting. The horizontal ring reflects the light downwards, but its position also allows some light to slip past and illuminate the fixture itself. The anti-glare ring prevents from horizontal glare, and the diffuser is available either as clear, opal or partly frosted depending on the desired light source.

Finish Natural painted aluminum or white, powder coated.

Material Diffuser: Injection molded clear polycarbonate (MH), injection molded partly frosted polycarbonate (CMH) or injection molded white opal polycarbonate (CF). Saturn ring: Die cut aluminum. Anti-glare ring: Spun aluminum. Top: Die cast aluminum. Mounting plate: Die cast aluminum. Arm: Extruded aluminum.

Mounting Surface: Mounted directly to a recessed ballast box provided (MH, CMH) or mounted directly to finished surface over a recessed 4" octagonal junction box (CF).

Weight Max. 24 lbs.

Label cULus, Wet location. IBEW.

Product Code	Light source	Voltage	Finish
PL-W	1/100W/MH/ED-17 medium	120/208/240/277V	NAT PAINT ALU
	1/26W/32W/42W/CF GX24q-3/4	120-277V	WHT
	1/70W/CMH/T-6 G12		

Specification notes

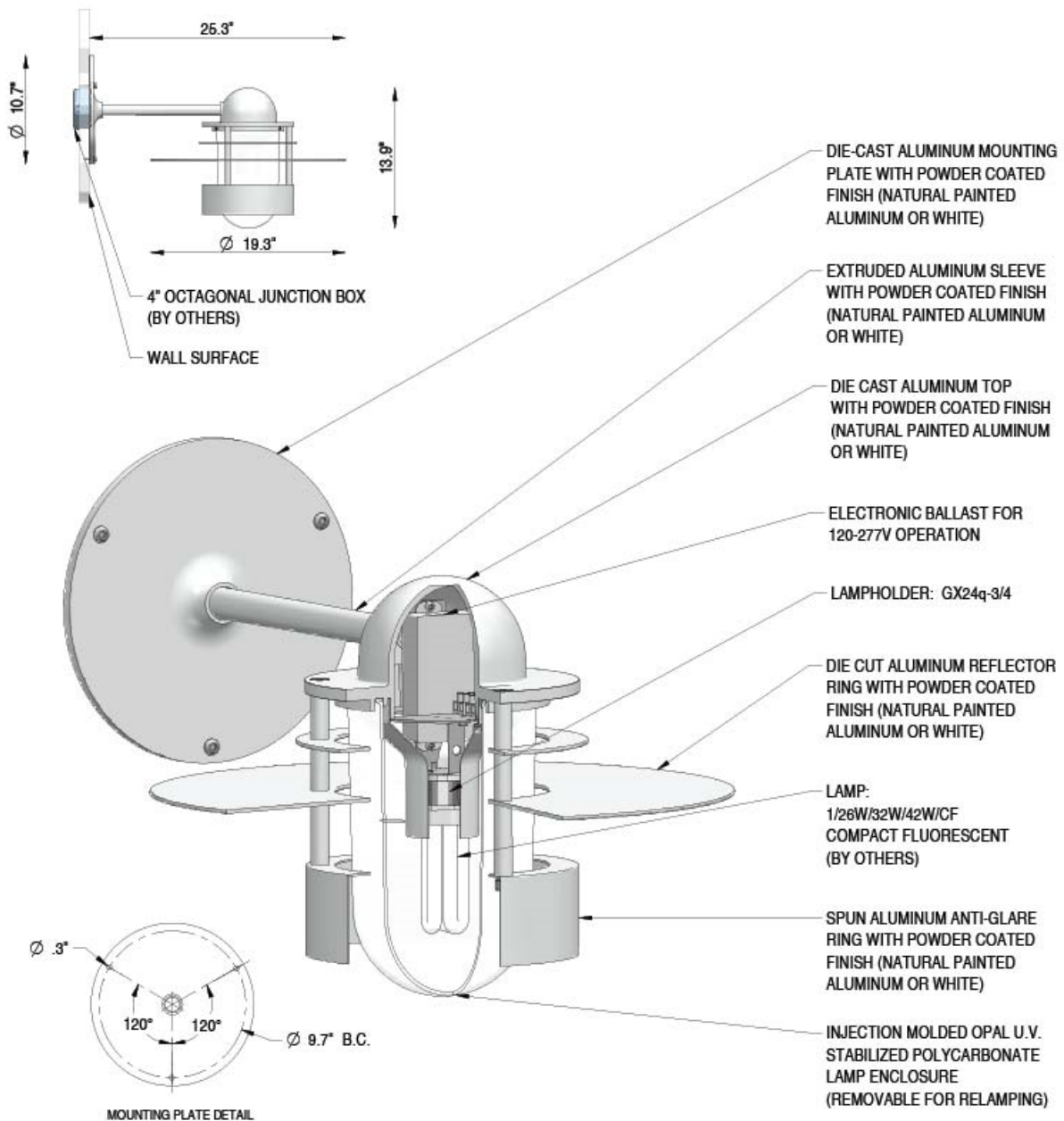
- a. CMH variant provided with 120-277V ballast.
- b. CF variant provided with 120-277V ballast.
- c. MH variant provided with 120/208/240/277V ballast.

Planet Wall

PL-W-1-42W-CF

PRODUCT SPECIFICATION

Material description



Planet Wall

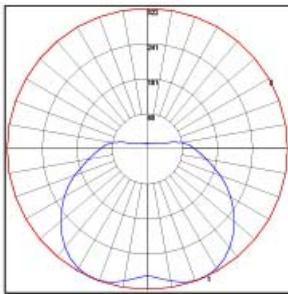
PL-W-1-42W-CF

PRODUCT SPECIFICATION

Light Measurements

Photometric Report: PL-W-1-42W-CF
 Report No.: Louis Poulsen Lighting A/S
 Poulsen Report No.: PL-W-1-42W-CF
 Luminaire: PLANET WALL
 Lamp: 1/42W/CF/GX24Q-4
 Efficiency: 51%

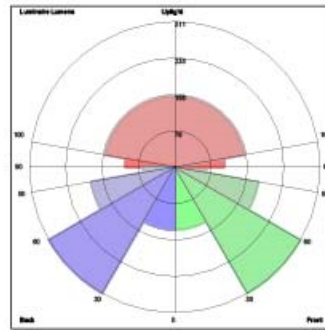
Description: All data shown are per 3200 lumens. This report can be used for calculation on all versions listed below. Use only actual lumen data calculating.



Candlepower Distribution	
Vertical Angle	Candela
0	289.8
5	297.5
15	316.1
25	321.8
35	307.4
45	277.8
55	240.5
65	199.7
75	155.0
90	107.8
120	27.2
150	14.2
180	12.1

Zonal Lumen Summary

Zone	Lumens	% Lamp	% Fixture
0-20	118.23	3.70	7.20
0-30	266.54	8.30	16.30
0-40	458.84	14.30	28.00
0-60	888.87	27.80	54.20
0-80	1251.87	39.10	76.30
0-90	1384.92	43.30	84.50
10-90	1356.24	42.40	82.70
20-40	340.61	10.60	20.80
20-50	555.20	17.40	33.90
40-70	627.81	19.60	38.30
60-80	363.00	11.30	22.10
70-80	165.23	5.20	10.10
80-90	133.04	4.20	8.10
90-110	168.00	5.30	10.20
90-120	198.35	6.20	12.10
90-130	220.20	6.90	13.40
90-150	243.41	7.60	14.80
90-180	254.88	8.00	15.50
110-180	86.88	2.70	5.30
0-180	1639.8	51.20	100.00

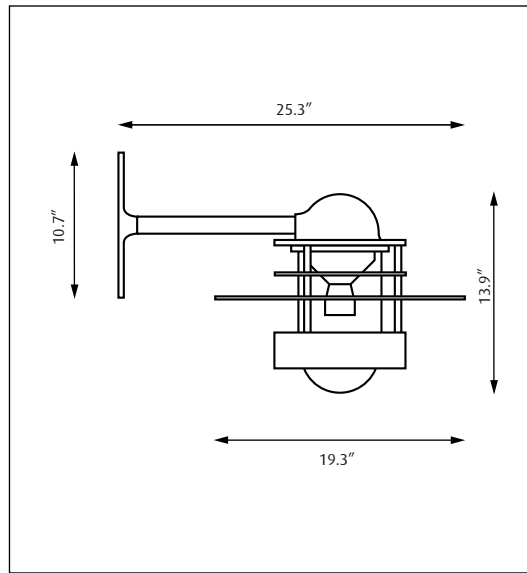


LUMINAIRE CLASSIFICATION SYSTEM (LCS)

	Lumens	% Lamp	% Luminaire
FL - Front-Low (0-30)	133.3	4.2	8.1
FM - Front-Medium (30-60)	311.2	9.7	19.0
FH - Front-High (60-90)	181.5	5.7	11.1
FVH - Front-Very High (80-90)	86.5	2.1	4.1
BL - Back-Low (0-30)	133.3	4.2	8.1
BM - Back-Medium (30-60)	311.2	9.7	19.0
BH - Back-High (60-90)	181.5	5.7	11.1
BVH - Back-Very High (80-90)	86.5	2.1	4.1
UL - Uplight-Low (90-100)	104.9	3.3	6.4
UH - Uplight-High (100-180)	150.0	4.7	9.1
Total	1639.9	51.4	100.0
BUG Rating	B1-U3-G1		

Planet Maxi Wall

Design Jens Møller-Jensen



33120-11

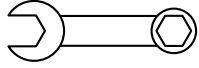
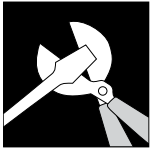
Light source	Voltage	Weight	Electric shock protection	Ingress protection
1/70W/CMH/T-6 G12 1/26W/32W/42W/CF GX24q-3/4 1/100W/MH/ED-17 medium	120-277V 120/208/240/277V	24 Lbs	Cl. I	IP 44, Wet location

Recommended cleaning substances:

Wipe off dust with a dry, soft cloth. Remove greasy spots etc. with a soft cloth dampened in lukewarm water (<122° F/ 50° C) with a mild detergent.

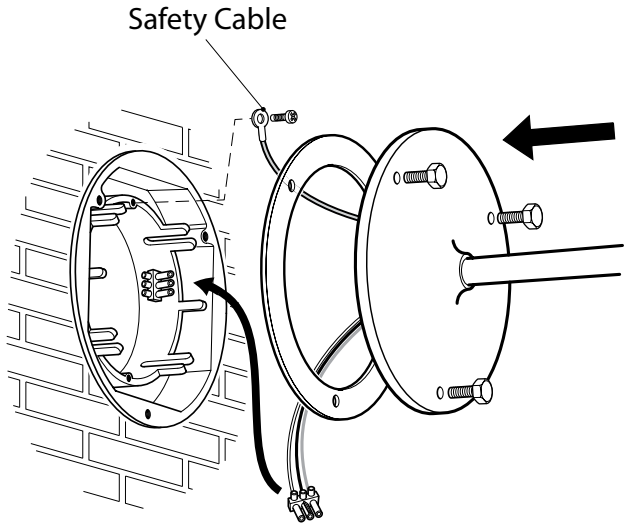
Warning: Scouring powder and similar substances will scratch surfaces.

All installation is subject to local code and jurisdiction. Consult a qualified electrician to ensure correct branch circuit conductor.

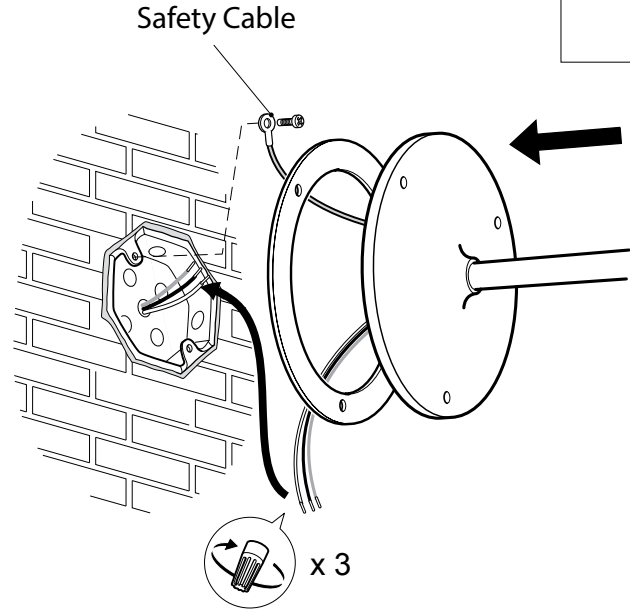
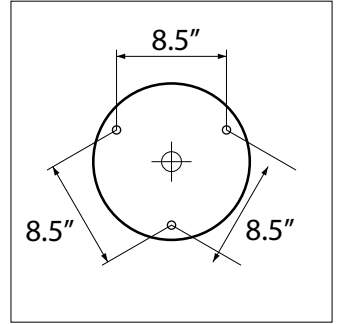


For HID installation
On Recessed Ballast box

See further mounting
instructions in the manual
supplied with the
Recessed Ballast box



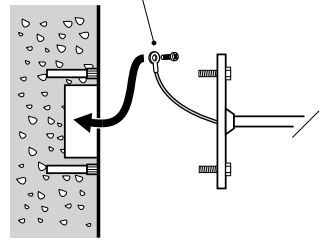
For CF installation
Over a 4" junction box



- Green to Green (ground)
- White to White
- Black to Black



Connect safety cable to the
Junction box
(screw not provided)



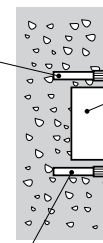
Lamp Replacement Labels

This luminaire may have different light source options.

The Installer must ensure that the lamp Replacement Label on the luminaire represents the appropriate light source and control gear.

During installation the installer must delete, with a permanent marker, the lamp wattages that do not apply.

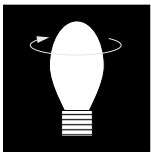
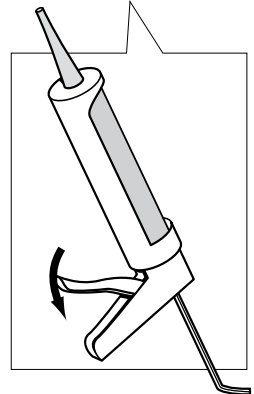
Rawplugs
Screws
Expansion bolts
(Not provided)



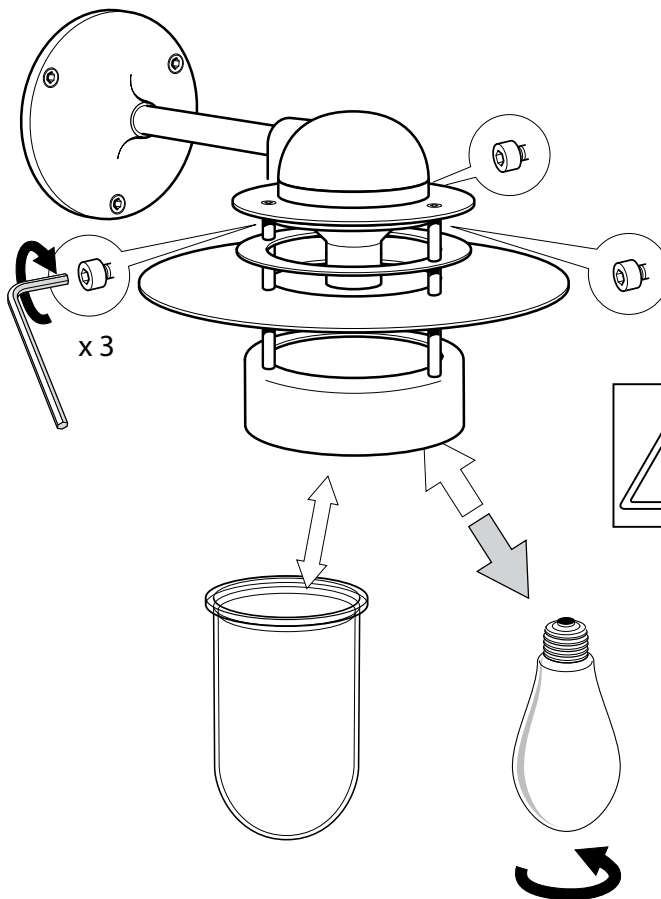
4" Octagonal
junction box

The installer must seal the back of the wall flange to the wall with a bead of silicone

The installer must ensure to use proper means (rawplugs/screws/expansion bolts) to secure the fixture to the wall material. (Means not provided) The installer must if necessary reinforce the wall structure by adequate means



Do NOT remove screws!



Use only light source
in accordance to the
lamp replacement
label on the luminaire

Recessed Ballast Box

DISASSEMBLE FIXTURE. REMOVE BALLAST FROM CAST BALLAST BOX BY LOOSENING 2 SCREWS AND PASSING THROUGH KEYHOLE SLOTS.

PREPARE WALL WITH A CUTOUT OF $\text{Ø}10.38"$. THE LIP OF THE BALLAST BOX WILL REST ON THE WALL SURFACE.

MOUNT THE BALLAST BOX TO THE WALL BY DRILLING THROUGH THE 3 INDENTS IN REAR OF BOX. THE "UP" ARROW MUST BE POSITIONED CORRECTLY. ALTERNATIVELY, USE THE SIDE M5 SCREWS TO MOUNT BALLAST BOX TO BRACKETS (NOT INCLUDED).

RUN CONDUIT INTO BALLAST BOX BY USING THE $3/4"$ THREADED HOLES LOCATED ON THE 4 SIDES OF THE BALLAST BOX.

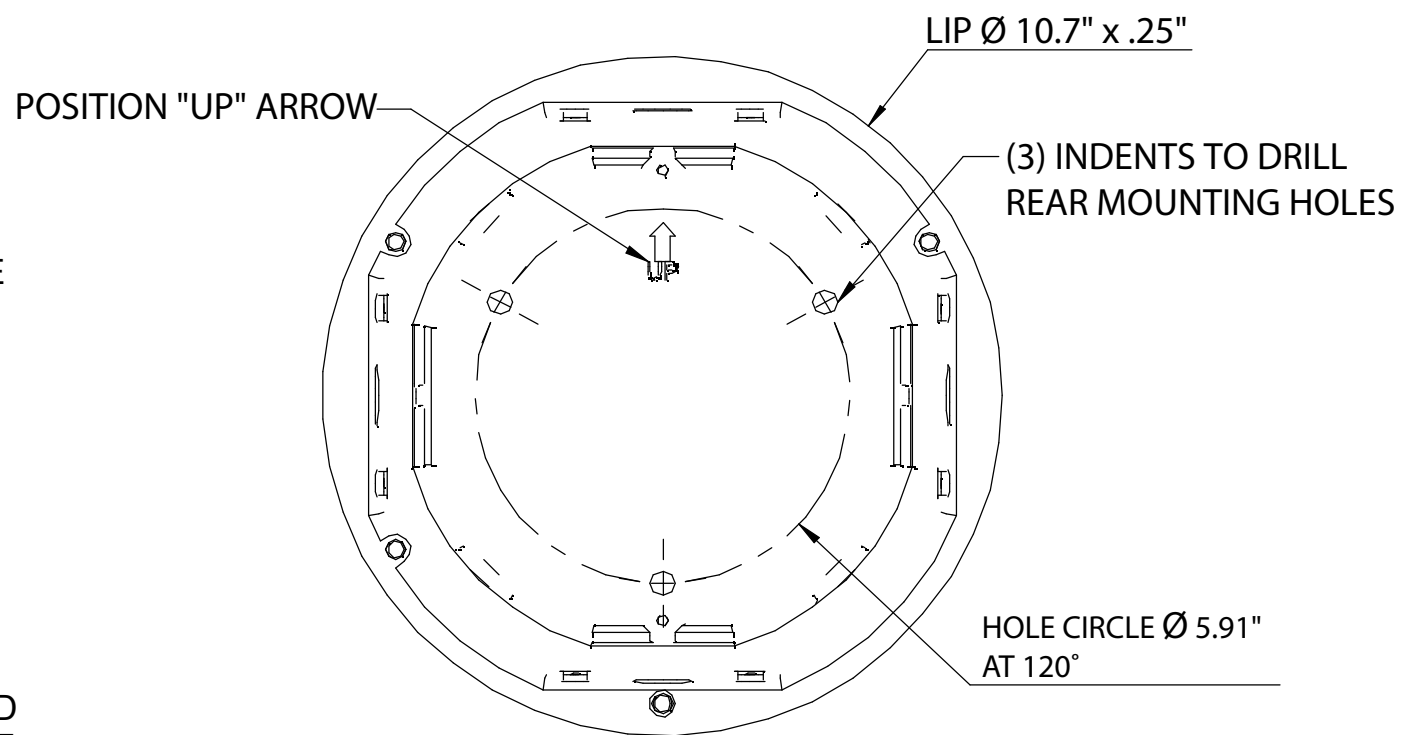
MAKE ELECTRICAL CONNECTIONS TO THE BALLAST:

BLACK = LINE VOLTAGE
WHITE = NEUTRAL
GREEN = GROUND.

CAUTION: THE FACTORY SETS THE BALLAST TO OPERATE AT 277V AC. CHANGE THE BALLAST WIRING IF ANOTHER VOLTAGE IS TO BE USED.

MAKE ELECTRICAL CONNECTIONS FROM THE BALLAST TO THE FIXTURE.

ATTACH THE FIXTURE TO THE BALLAST BOX, ENSURING THAT THE GASKET SEALS THE JOINT BETWEEN FIXTURE AND BALLAST BOX.



FRONT VIEW OF BALLAST BOX

