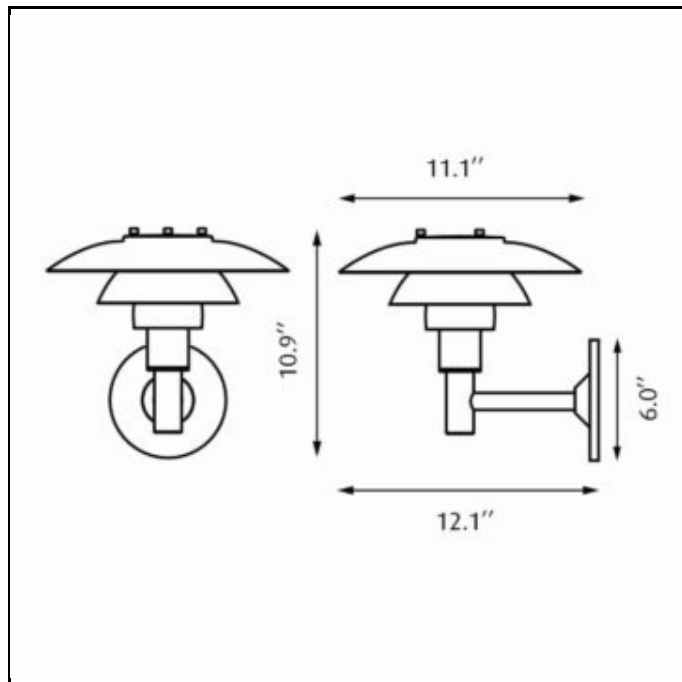


PH 3-2½ Wall



Design Poul Henningsen

Concept The fixture is designed based on the principle of a reflective three-shade system, which directs the majority of the light downwards. The shades have a matte white painted interior surface, diffusing the light in a comfortable way.

Finish Black, powder coated.

Material Top shade: Spun stainless steel. Middle/lower shade: Spun stainless steel. Shadeholder: Die formed glass. Mounting plate: Die cast aluminum. Mounting plate cover: Spun aluminum. Arm: Stainless steel.

Mounting Surface: Mounted directly to finished surface over a recessed 4" octagonal junction box.

Weight Max. 5.5 lbs.

Label cULus, Wet location. IBEW.

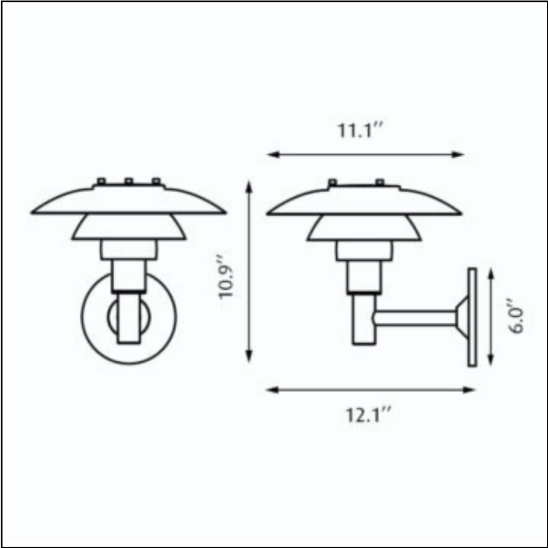
Product Code	Light source	Voltage	Finish
PH3-2½W	1/15W LED/A-19/medium 1/60W/A-19/IF medium	120V	BLK

PH 3-2½ Wall

PHW-3-2 1-2

PRODUCT SPECIFICATION

Product description



- Design** Poul Henningsen
- Concept** The fixture is designed based on the principle of a reflective three-shade system, which directs the majority of the light downwards. The shades have a matte white painted interior surface, diffusing the light in a comfortable way.
- Finish** Black, powder coated.
- Material** Top shade: Spun stainless steel. Middle/lower shade: Spun stainless steel. Shadeholder: Die formed glass. Mounting plate: Die cast aluminum. Mounting plate cover: Spun aluminum. Arm: Stainless steel.
- Mounting** Surface: Mounted directly to finished surface over a recessed 4" octagonal junction box.
- Weight** Max. 5.5 lbs.
- Label** cULus, Wet location. IBEW.

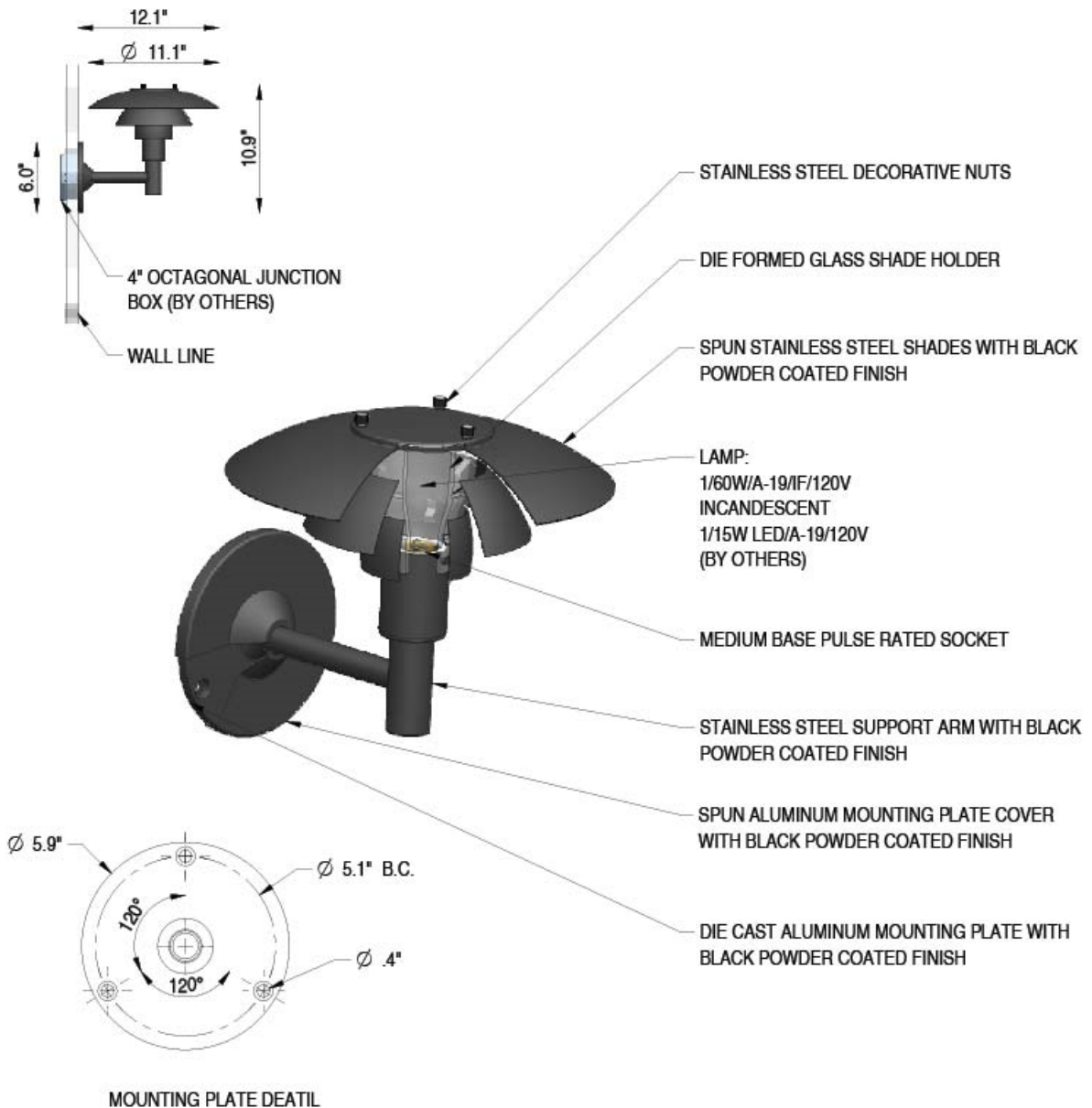
Product Code	Light source	Voltage	Finish
PH3-2½W	1/15W LED/A-19/medium 1/60W/A-19/IF medium	120V	BLK

PH 3-2½ Wall

PHW-3-2 1-2

PRODUCT SPECIFICATION

Material description



PH 3-2½ Wall

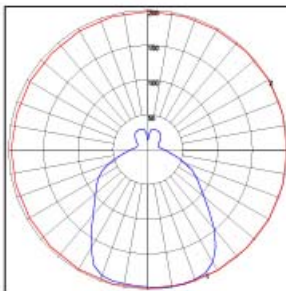
PHW-3-2 1-2

PRODUCT SPECIFICATION

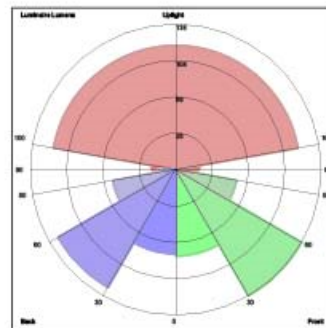
Light Measurements

Photometric Report: PH 3-2½ W-1-60W-INC
 Report No.: LP3445
 Poulsen Report No.: PH 3-2½ W-1-60W-INC
 Luminaire: PH 3-2½ WALL
 Lamp: 1/60W/INC/A-19
 Efficiency: 83%

Description: All data shown are per 870 lumens. This report can be used for calculation on all versions listed below. Use only actual lumen data calculating.



Vertical Angle	Candela
0	197.1
5	199.9
15	198.9
25	195.2
35	169.3
45	124.0
55	90.7
65	69.4
75	44.4
90	22.2
120	17.5
150	30.5
180	13.8



LUMINAIRE CLASSIFICATION SYSTEM (LCS)

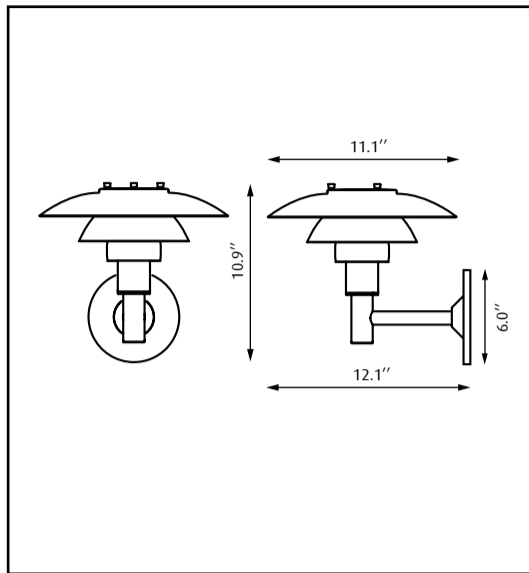
	Lumens	% Lamp	% Luminaire
FL - Front-Low (0-30)	82.1	9.4	11.4
FM - Front-Medium (30-60)	138.4	15.9	19.2
FH - Front-High (60-80)	58.4	6.7	8.1
FVH - Front-Very High (80-90)	15.6	1.8	2.2
BL - Back-Low (0-30)	79.7	9.2	11.1
BM - Back-Medium (30-60)	128.9	14.8	17.9
BH - Back-High (60-80)	60.4	6.9	8.4
BVH - Back-Very High (80-90)	16.4	1.9	2.3
UL - Uplight-Low (90-100)	22.0	2.5	3.1
UH - Uplight-High (100-180)	117.8	13.5	16.4
Total	719.7	82.6	100.0
BUG Rating	B0-U3-G1		

Zonal Lumen Summary

Zone	Lumens	% Lamp	% Fixture
0-20	74.68	8.60	10.40
0-30	161.75	18.60	22.50
0-40	258.81	29.70	36.00
0-60	429.11	49.30	59.60
0-80	547.98	63.00	76.10
0-90	580.00	66.70	80.60
10-90	561.12	64.50	78.00
20-40	184.13	21.20	25.60
20-50	273.31	31.40	38.00
40-70	239.94	27.60	33.30
60-80	118.87	13.70	16.50
70-80	49.22	5.70	6.80
80-90	32.02	3.70	4.40
90-110	39.56	4.50	5.50
90-120	56.35	6.50	7.80
90-130	74.98	8.60	10.40
90-150	114.14	13.10	15.90
90-180	139.80	16.10	19.40
110-180	100.24	11.50	13.90
0-180	719.79	82.70	100.00

PH 3-2½ Wall

Design Poul Henningsen



38269-11

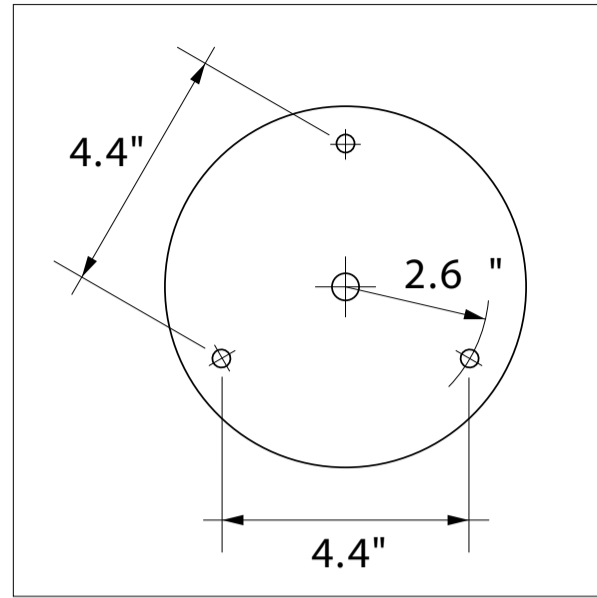
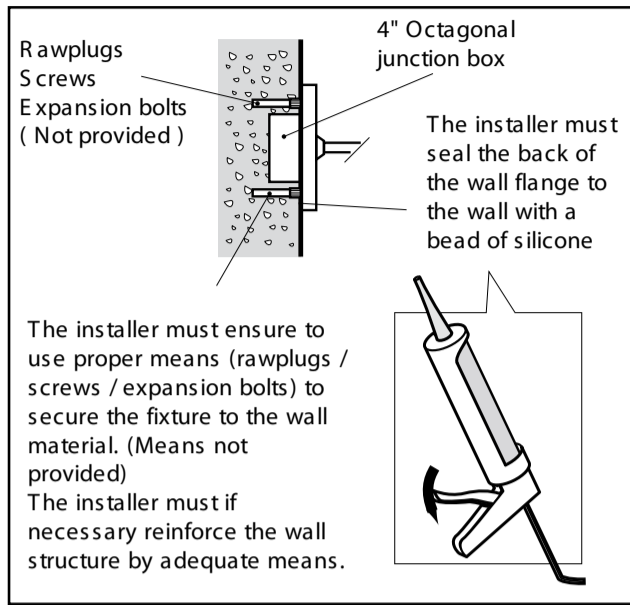
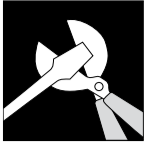
Light source	Voltage	Weight	Electric shock protection	Ingress protection
1/60W/A-19/IF medium	120V	5,5 Lbs	Cl. I	IP 20, wet location

Recommended cleaning substances:

Wipe off dust with a dry, soft cloth. Remove greasy spots etc. with a soft cloth dampened in lukewarm water (<122° F/ 50° C) with a mild detergent.

Warning: Scouring powder and similar substances will scratch surfaces.

All installation is subject to local code and jurisdiction. Consult a qualified electrician to ensure correct branch circuit conductor. The installer must ensure that the ceiling can support the luminaire's weight. The installer must if necessary reinforce the ceiling structure by adequate means.

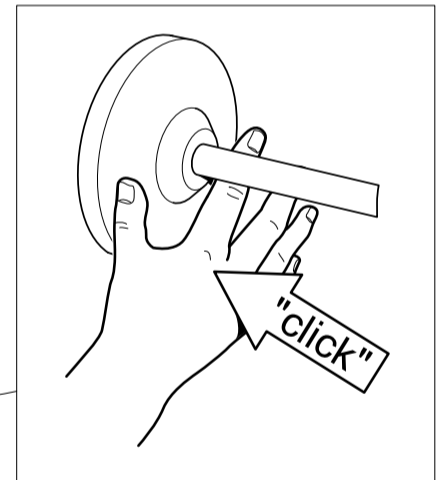
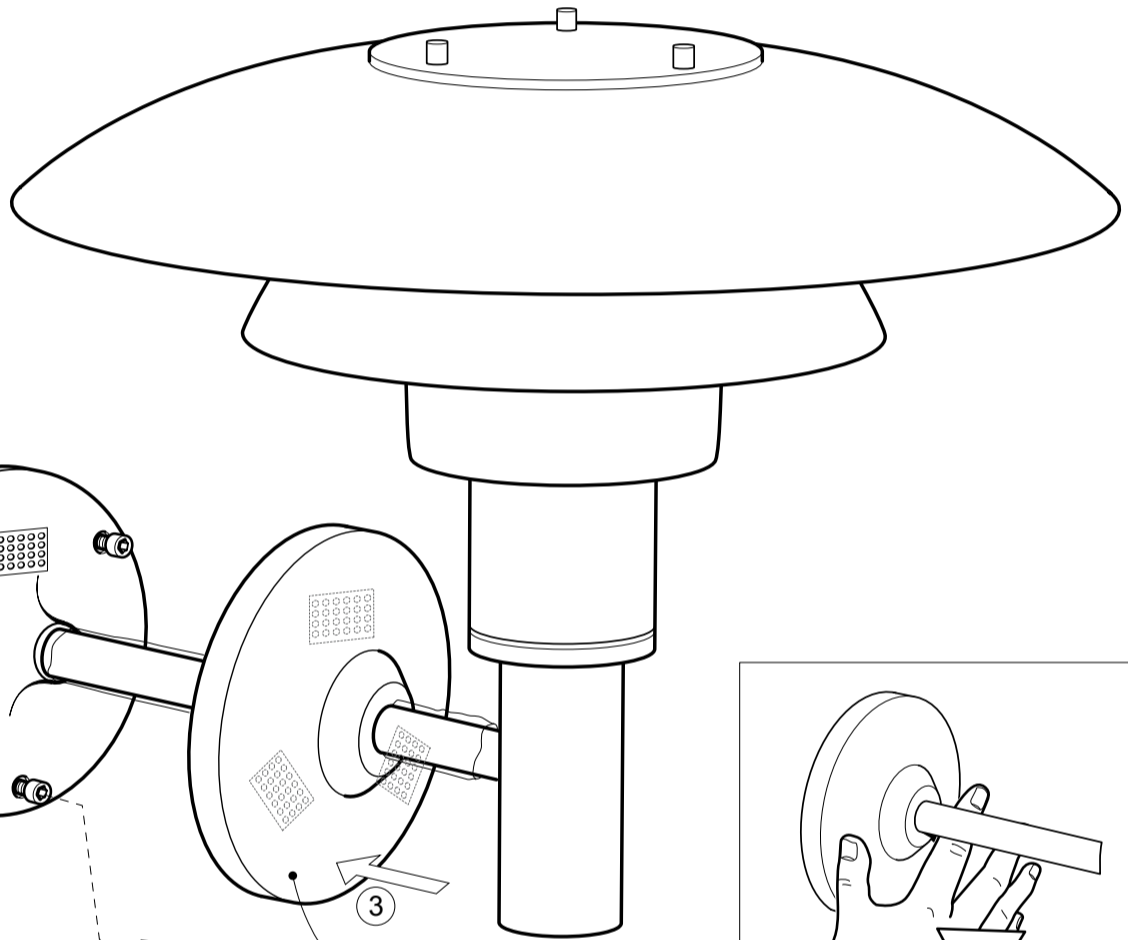
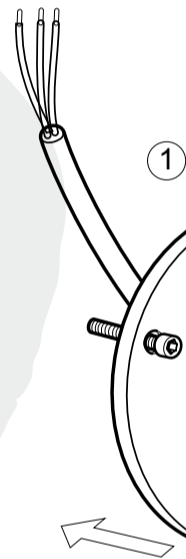
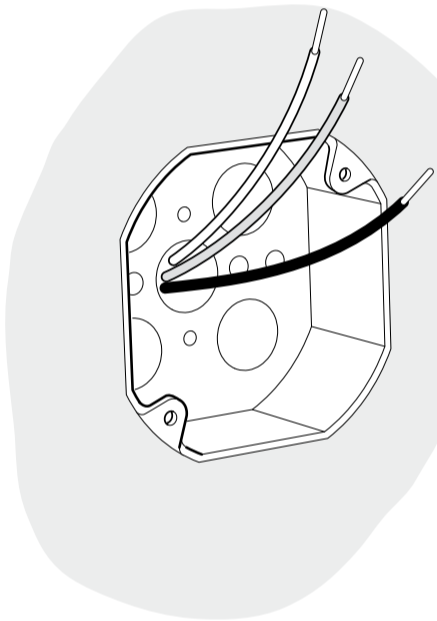



CONNECT WIRES TO JUNKTION BOX IN WALL

- Green to Green (ground)
- White to White
- Black to Black



x 3



 Use only light source in accordance to the lamp Replacement label on the luminaire

