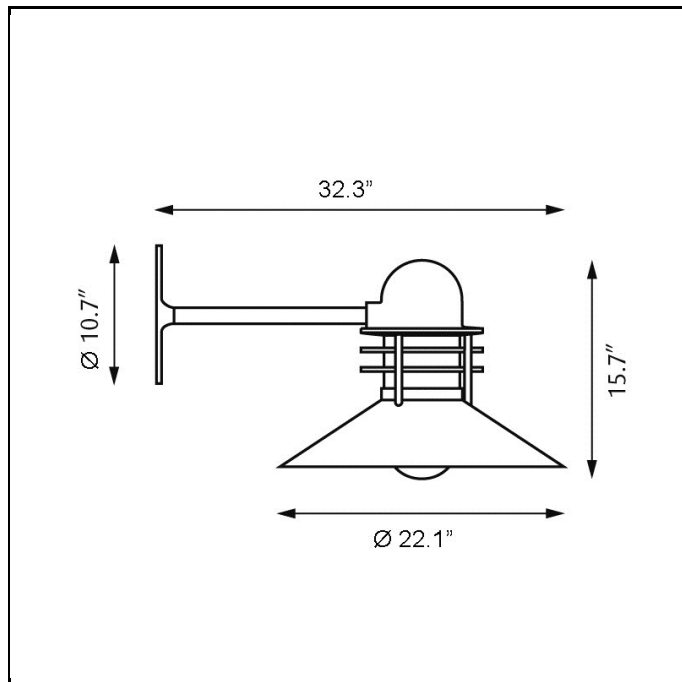


Nyhavn Maxi Wall



Design Alfred Homann

Concept The conical shade ensures comfortable light that is directed downwards in a wide beam. The shade interior has a white matte painted surface, ensuring uniform light distribution. The rings ensure that a stray light is controlled, and direct a small amount of light onto the top side of the shade for self-illumination.

Finish Copper, brushed. Natural painted aluminum or white, powder coated.

Material Shades: Spun aluminum or spun copper. Diffuser: Injection molded clear polycarbonate (MH), injection molded partly frosted polycarbonate (CMH) or injection molded white opal polycarbonate (CF). Rings: Die cast aluminum or copper plated, die cast red brass. Top: Die cast aluminum or copper plated, die cast red brass. Mounting plate: Die cast aluminum or copper plated, die cast red brass. Arm: Extruded aluminum or copper plated, extruded red brass.

Mounting Surface: Mounted directly to a recessed ballast box provided (CMH/MH) or mounted directly to finished surface over a recessed 4" octagonal junction box (CF).

Weight Max. 49 lbs.

Label cULus, Wet location. IBEW.

Product Code	Light source	Voltage	Finish	Diff./Encl./Glass
NYW-MAX	1/100W/MH/ED-17 medium	120/208/240/277V	COP	CLEAR
	1/26W/32W/42W/CF GX24q-3/4	120-277V	NAT PAINT ALU	OPAL
	1/70W/CMH/T-6 G12		WHT	PARTLY FROSTED

Specification notes

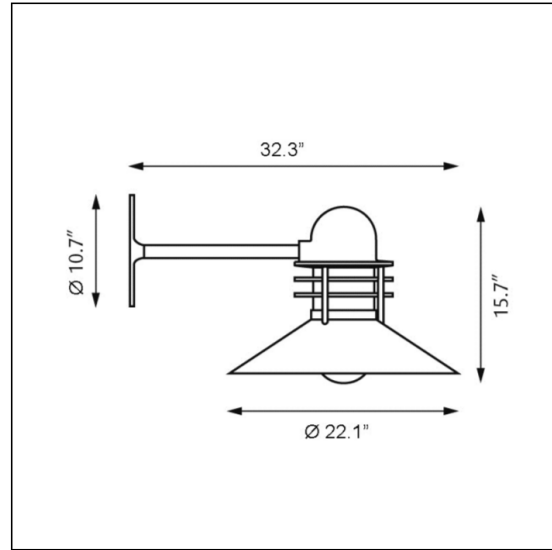
- a. CMH variant provided with a partly frosted diffuser.
- b. CF variant provided with an opal diffuser.
- c. MH variant provided with clear diffuser.
- d. CMH variant provided with a 120-277V ballast.
- e. CF variant provided with a 120-277V ballast.
- f. MH variant provided with a 120/208/240/277V ballast.

Nyhavn Maxi Wall

NYW-MAX-1-MH

PRODUCT SPECIFICATION

Product description



Design Alfred Homann

Concept The conical shade ensures comfortable light that is directed downwards in a wide beam. The shade interior has a white matte painted surface, ensuring uniform light distribution. The rings ensure that a stray light is controlled, and direct a small amount of light onto the top side of the shade for self-illumination.

Finish Copper, brushed. Natural painted aluminum or white, powder coated.

Material Shades: Spun aluminum or spun copper. Diffuser: Injection molded clear polycarbonate (MH), injection molded partly frosted polycarbonate (CMH) or injection molded white opal polycarbonate (CF). Rings: Die cast aluminum or copper plated, die cast red brass. Top: Die cast aluminum or copper plated, die cast red brass. Mounting plate: Die cast aluminum or copper plated, die cast red brass. Arm: Extruded aluminum or copper plated, extruded red brass.

Mounting Surface: Mounted directly to a recessed ballast box provided (CMH/MH) or mounted directly to finished surface over a recessed 4" octagonal junction box (CF).

Weight Max. 49 lbs.

Label cULus, Wet location. IBEW.

Product Code	Light source	Voltage	Finish	Diff./Encl./Glass
NYW-MAX	1/100W/MH/ED-17 medium	120/208/240/277V	COP	CLEAR
	1/26W/32W/42W/CF GX24q-3/4	120-277V	NAT PAINT ALU	OPAL
	1/70W/CMH/T-6 G12		WHT	PARTLY FROSTED

Specification notes

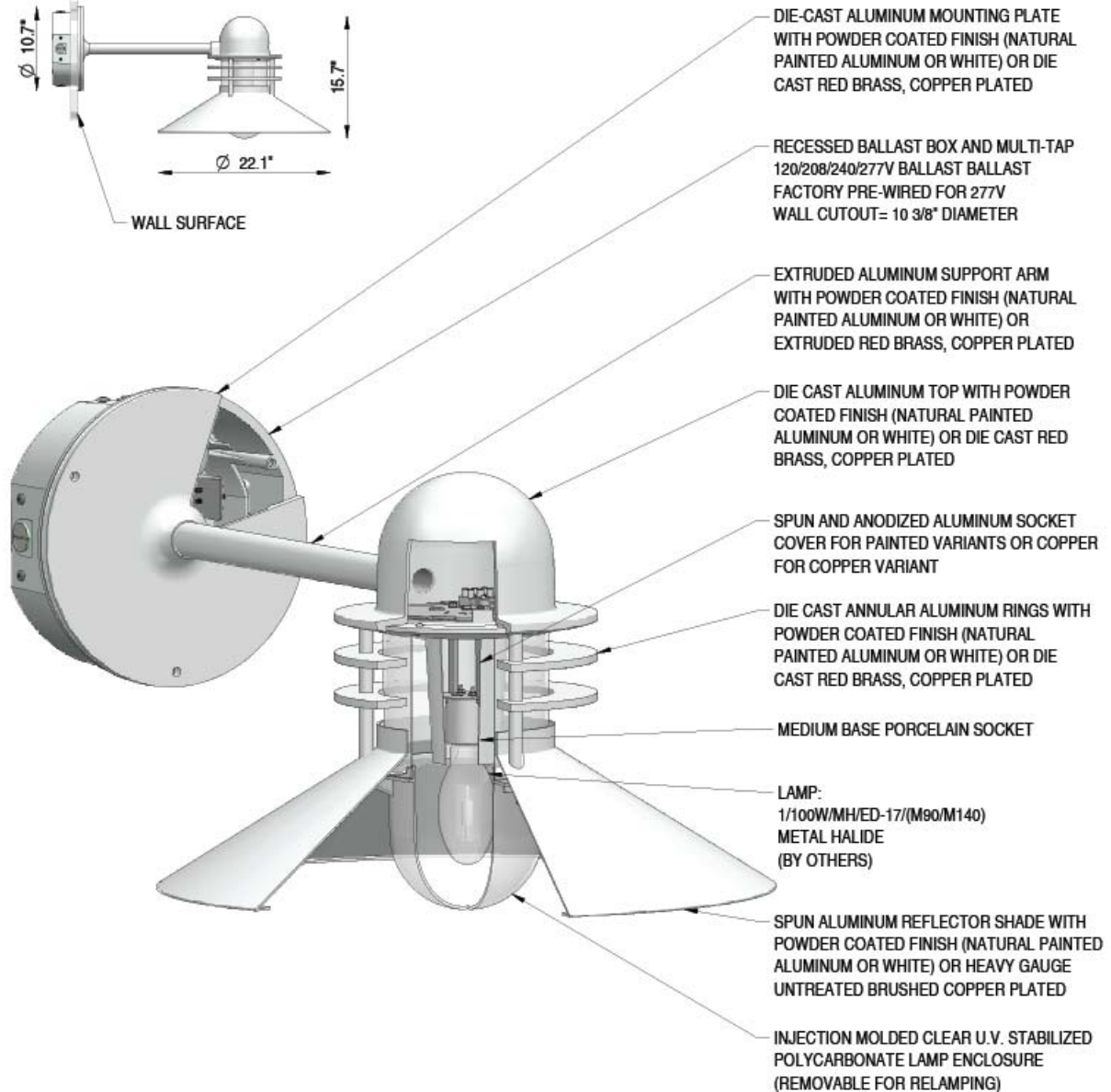
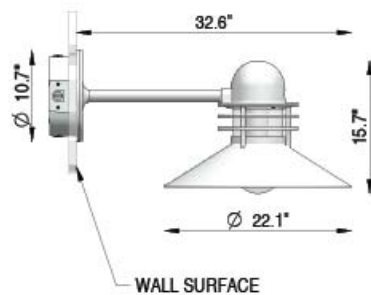
- a. CMH variant provided with a partly frosted diffuser.
- b. CF variant provided with an opal diffuser.
- c. MH variant provided with clear diffuser.
- d. CMH variant provided with a 120-277V ballast.
- e. CF variant provided with a 120-277V ballast.
- f. MH variant provided with a 120/208/240/277V ballast.

Nyhavn Maxi Wall

NYW-MAX-1-MH

PRODUCT SPECIFICATION

Material description



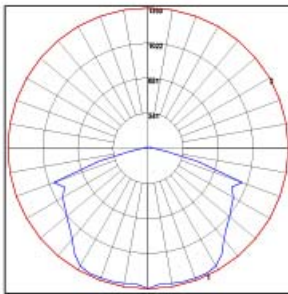
Nyhavn Maxi Wall

NYW-MAX-1-MH

PRODUCT SPECIFICATION

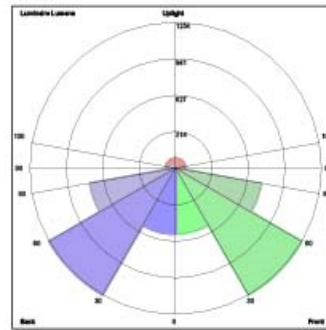
Light Measurements

Photometric Report: NYW-MAX-1-100W-MH
 Report No.: 6043901856 Louis Poulsen Lighting A/S
 Poulsen Report No.: NYW-MAX-1-100W-MH
 Luminaire: NYHAVN MAXI WALL
 Lamp: 1/100W/MH/ED-17
 Efficiency: 57%
 Description: All data shown are per 9300 lumens. This report can be used for calculation on all versions listed below. Use only actual lumen data calculating.



Candlepower Distribution	
Vertical Angle	Candela
0	1382.0
5	1321.3
15	1339.8
25	1342.4
35	1249.8
45	1081.3
55	989.4
65	897.1
75	504.0
90	20.0
120	21.3
150	4.6
180	3.8

Zonal Lumen Summary			
Zone	Lumens	% Lamp	% Fixture
0-20	506.29	5.40	9.50
0-30	1124.55	12.10	21.10
0-40	1902.97	20.50	35.70
0-60	3632.74	39.10	68.10
0-80	5126.66	55.10	96.10
0-90	5223.65	56.20	97.90
10-90	5096.66	54.80	95.60
20-40	1396.68	15.00	26.20
20-50	2236.74	24.10	41.90
40-70	2653.82	28.50	49.80
60-80	1493.92	16.10	28.00
70-80	569.86	6.10	10.70
80-90	96.99	1.00	1.80
90-110	61.57	0.70	1.20
90-120	88.18	0.90	1.70
90-130	99.28	1.10	1.90
90-150	106.28	1.10	2.00
90-180	109.89	1.20	2.10
110-180	48.32	0.50	0.90
0-180	5333.54	57.30	100.00



LUMINAIRE CLASSIFICATION SYSTEM (LCS)

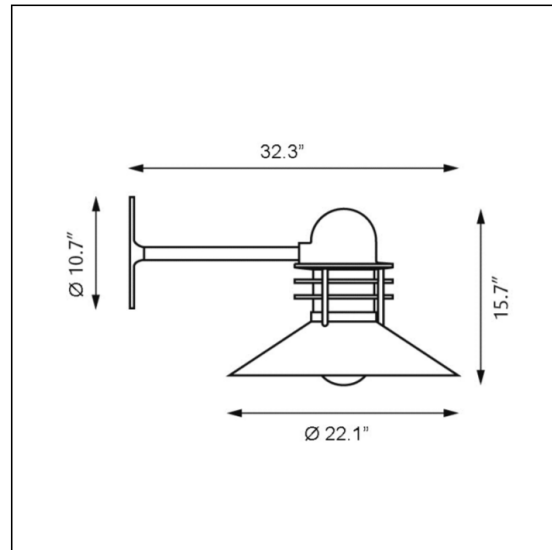
	Lumens	% Lamp	% Luminaire
FL - Front-Low (0-30)	562.3	6.0	10.5
FM - Front-Medium (30-60)	1254.1	13.5	23.5
FH - Front-High (60-80)	747.0	8.0	14.0
FVH - Front-Very High (80-90)	48.5	0.5	0.9
BL - Back-Low (0-30)	562.3	6.0	10.5
BM - Back-Medium (30-60)	1254.1	13.5	23.5
BH - Back-High (60-80)	747.0	8.0	14.0
BVH - Back-Very High (80-90)	48.5	0.5	0.9
UL - Uplight-Low (90-100)	29.0	0.3	0.5
UH - Uplight-High (100-180)	80.9	0.9	1.5
Total	5333.7	57.2	100.0
BUG Rating	B2-U3-G1		

Nyhavn Maxi Wall

NYW-MAX-1-70W-CMH

PRODUCT SPECIFICATION

Product description



Design Alfred Homann

Concept The conical shade ensures comfortable light that is directed downwards in a wide beam. The shade interior has a white matte painted surface, ensuring uniform light distribution. The rings ensure that a stray light is controlled, and direct a small amount of light onto the top side of the shade for self-illumination.

Finish Copper, brushed. Natural painted aluminum or white, powder coated.

Material Shades: Spun aluminum or spun copper. Diffuser: Injection molded clear polycarbonate (MH), injection molded partly frosted polycarbonate (CMH) or injection molded white opal polycarbonate (CF). Rings: Die cast aluminum or copper plated, die cast red brass. Top: Die cast aluminum or copper plated, die cast red brass. Mounting plate: Die cast aluminum or copper plated, die cast red brass. Arm: Extruded aluminum or copper plated, extruded red brass.

Mounting Surface: Mounted directly to a recessed ballast box provided (CMH/MH) or mounted directly to finished surface over a recessed 4" octagonal junction box (CF).

Weight Max. 49 lbs.

Label cULus, Wet location. IBEW.

Product Code	Light source	Voltage	Finish	Diff./Encl./Glass
NYW-MAX	1/100W/MH/ED-17 medium	120/208/240/277V	COP	CLEAR
	1/26W/32W/42W/CF GX24q-3/4	120-277V	NAT PAINT ALU	OPAL
	1/70W/CMH/T-6 G12		WHT	PARTLY FROSTED

Specification notes

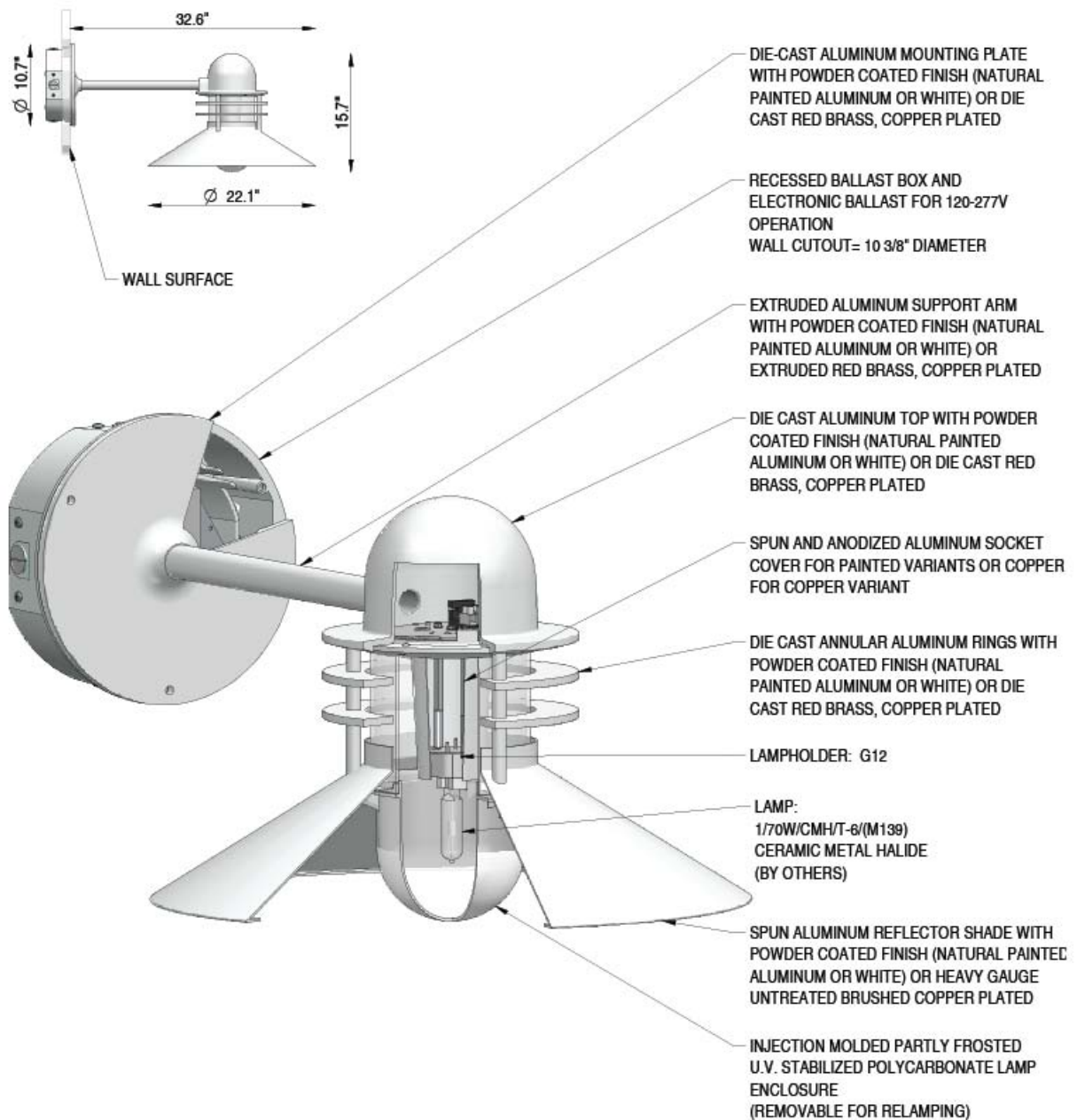
- a. CMH variant provided with a partly frosted diffuser.
- b. CF variant provided with an opal diffuser.
- c. MH variant provided with clear diffuser.
- d. CMH variant provided with a 120-277V ballast.
- e. CF variant provided with a 120-277V ballast.
- f. MH variant provided with a 120/208/240/277V ballast.

Nyhavn Maxi Wall

NYW-MAX-1-70W-CMH

PRODUCT SPECIFICATION

Material description



Nyhavn Maxi Wall

NYW-MAX-1-70W-CMH

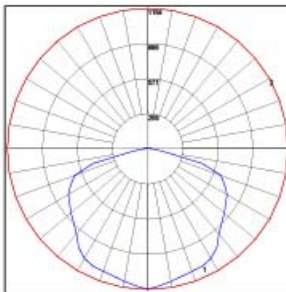
PRODUCT SPECIFICATION

Light Measurements

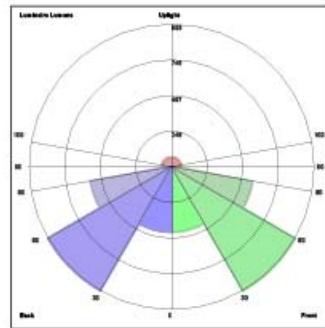
Photometric Report: NYW-MAX-1-70W-CMH
 Report No.: 6043900005 Louis Poulsen Lighting A/S
 Poulsen Report No.: NYW-MAX-1-70W-CMH
 Luminaire: NYHAVN MAXI WALL
 Lamp: 1/70W/CMH/T6-G12

Efficiency: 64%

Description: All data shown are per 6600 lumens. This report can be used for calculation on all versions listed below. Use only actual lumen data calculating.



Candlepower Distribution	
Vertical Angle	Candela
0	1154.1
5	1127.8
15	1082.0
25	1063.3
35	990.1
45	858.7
55	783.9
65	698.9
75	466.6
90	16.8
120	16.1
150	3.6
180	3.0



LUMINAIRE CLASSIFICATION SYSTEM (LCS)

	Lumens	% Lamp	% Luminaire
FL - Front-Low (0-30)	451.8	6.8	10.8
FM - Front-Medium (30-60)	993.5	15.1	23.0
FH - Front-High (60-90)	572.7	8.7	13.6
FVH - Front-Very High (80-90)	39.4	0.6	0.9
BL - Back-Low (0-30)	451.8	6.8	10.8
BM - Back-Medium (30-60)	993.5	15.1	23.0
BH - Back-High (60-90)	572.7	8.7	13.6
BVH - Back-Very High (80-90)	39.4	0.6	0.9
UL - Uplight-Low (90-100)	23.0	0.3	0.5
UH - Uplight-High (100-180)	63.1	1.0	1.5
Total	4200.9	63.7	100.0
BUG Rating	B2-U3-G1		

Zonal Lumen Summary

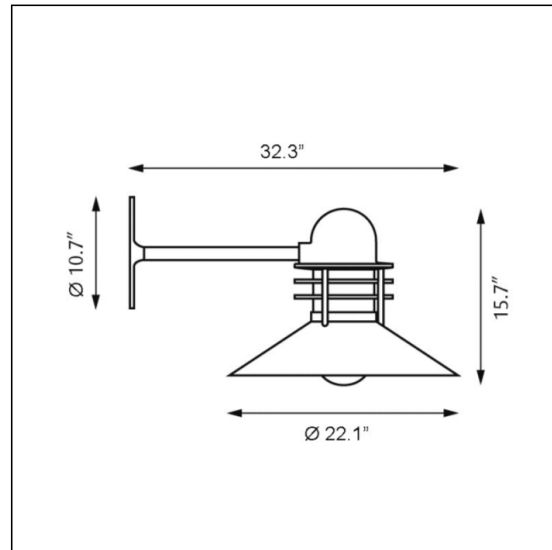
Zone	Lumens	% Lamp	% Fixture
0-20	413.99	6.30	9.90
0-30	903.52	13.70	21.50
0-40	1519.31	23.00	36.20
0-60	2890.51	43.80	68.80
0-80	4035.82	61.10	96.10
0-90	4114.63	62.30	98.00
10-90	4007.5	60.70	95.40
20-40	1105.32	16.70	26.30
20-50	1772.34	26.90	42.20
40-70	2063.03	31.30	49.10
60-80	1145.32	17.40	27.30
70-80	453.48	6.90	10.80
80-90	78.80	1.20	1.90
90-110	48.75	0.70	1.20
90-120	68.99	1.00	1.60
90-130	77.62	1.20	1.80
90-150	83.20	1.30	2.00
90-160	86.07	1.30	2.00
110-180	37.32	0.60	0.90
0-180	4200.69	63.60	100.00

Nyhavn Maxi Wall

NYW-MAX-1-42W-CF

PRODUCT SPECIFICATION

Product description



Design Alfred Homann

Concept The conical shade ensures comfortable light that is directed downwards in a wide beam. The shade interior has a white matte painted surface, ensuring uniform light distribution. The rings ensure that a stray light is controlled, and direct a small amount of light onto the top side of the shade for self-illumination.

Finish Copper, brushed. Natural painted aluminum or white, powder coated.

Material Shades: Spun aluminum or spun copper. Diffuser: Injection molded clear polycarbonate (MH), injection molded partly frosted polycarbonate (CMH) or injection molded white opal polycarbonate (CF). Rings: Die cast aluminum or copper plated, die cast red brass. Top: Die cast aluminum or copper plated, die cast red brass. Mounting plate: Die cast aluminum or copper plated, die cast red brass. Arm: Extruded aluminum or copper plated, extruded red brass.

Mounting Surface: Mounted directly to a recessed ballast box provided (CMH/MH) or mounted directly to finished surface over a recessed 4" octagonal junction box (CF).

Weight Max. 49 lbs.

Label cULus, Wet location. IBEW.

Product Code	Light source	Voltage	Finish	Diff./Encl./Glass
NYW-MAX	1/100W/MH/ED-17 medium	120/208/240/277V	COP	CLEAR
	1/26W/32W/42W/CF GX24q-3/4	120-277V	NAT PAINT ALU	OPAL
	1/70W/CMH/T-6 G12		WHT	PARTLY FROSTED

Specification notes

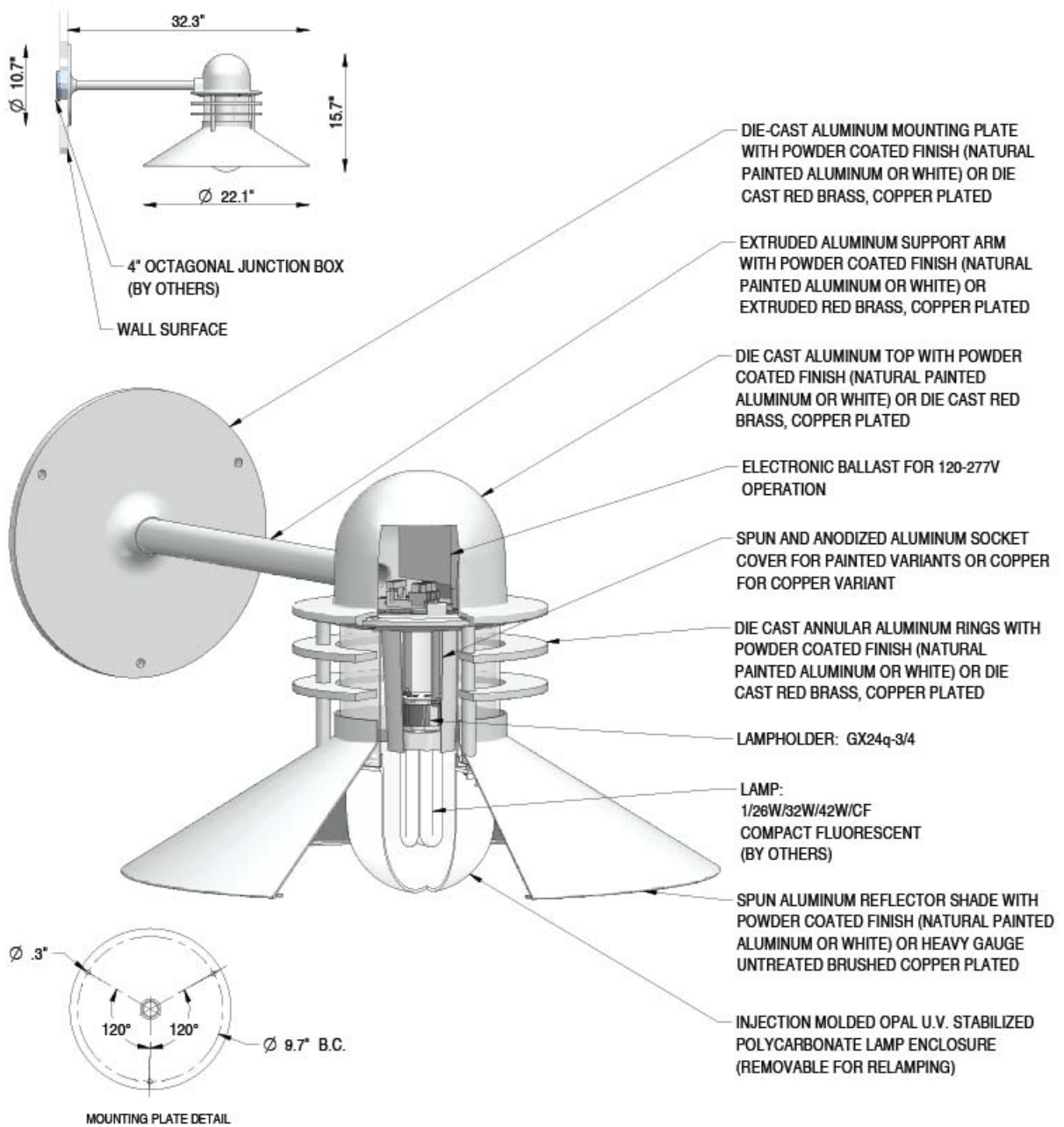
- a. CMH variant provided with a partly frosted diffuser.
- b. CF variant provided with an opal diffuser.
- c. MH variant provided with clear diffuser.
- d. CMH variant provided with a 120-277V ballast.
- e. CF variant provided with a 120-277V ballast.
- f. MH variant provided with a 120/208/240/277V ballast.

Nyhavn Maxi Wall

NYW-MAX-1-42W-CF

PRODUCT SPECIFICATION

Material description



Nyhavn Maxi Wall

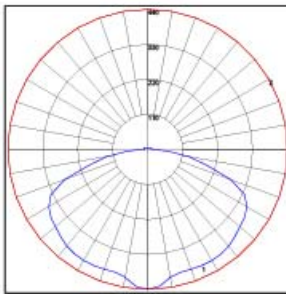
NYW-MAX-1-42W-CF

PRODUCT SPECIFICATION

Light Measurements

Photometric Report: NYW-MAX-1-42W-CF
 Report No.: 5743904332 Louis Poulsen Lighting A/S
 Poulsen Report No.: NYW-MAX-1-42W-CF
 Luminaire: NYHAVN MAXI WALL
 Lamp: 1/42W/CF/GX24q-4
 Efficiency: 59%

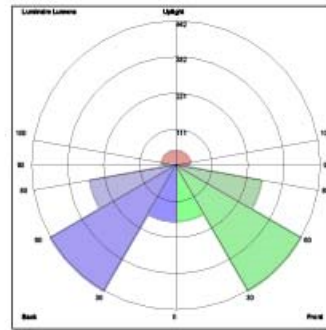
Description: All data shown are per 3200 lumens. This report can be used for calculation on all versions listed below. Use only actual lumen data calculating.



Candlepower Distribution	
Vertical Angle	Candela
0	440.2
5	432.0
15	400.2
25	403.0
35	401.7
45	387.7
55	372.5
65	336.6
75	190.4
90	11.8
120	9.3
150	4.9
180	3.6

Zonal Lumen Summary

Zone	Lumens	% Lamp	% Fixture
0-20	154.53	4.80	8.20
0-30	340.96	10.70	18.00
0-40	592.83	18.50	31.40
0-60	1225.68	38.30	64.90
0-80	1759.21	55.00	93.10
0-90	1834.2	57.30	97.10
10-90	1793.7	56.10	95.00
20-40	438.30	13.70	23.20
20-50	738.49	23.10	39.10
40-70	967.79	29.90	50.70
60-80	533.53	16.70	28.20
70-80	208.59	6.50	11.00
80-90	74.99	2.30	4.00
90-110	25.07	0.80	1.30
90-120	36.04	1.10	1.90
90-130	43.05	1.30	2.30
90-150	51.05	1.60	2.70
90-180	54.79	1.70	2.90
110-180	29.72	0.90	1.60
0-180	1866.99	59.00	100.00

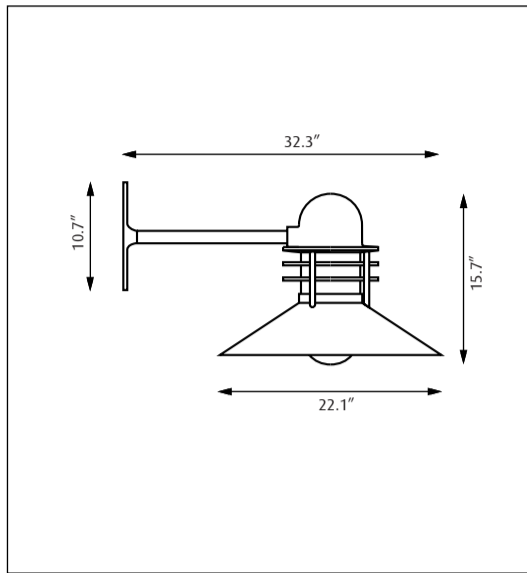


LUMINAIRE CLASSIFICATION SYSTEM (LCS)

	Lumens	% Lamp	% Luminaire
FL - Front-Low (0-30)	170.5	5.3	9.0
FM - Front-Medium (30-60)	442.4	13.8	23.4
FH - Front-High (60-90)	266.8	8.3	14.1
FVH - Front-Very High (80-90)	37.5	1.2	2.0
BL - Back-Low (0-30)	170.5	5.3	9.0
BM - Back-Medium (30-60)	442.4	13.8	23.4
BH - Back-High (60-90)	266.8	8.3	14.1
BVH - Back-Very High (80-90)	37.5	1.2	2.0
UL - Uplight-Low (90-100)	12.3	0.4	0.6
UH - Uplight-High (100-180)	42.5	1.3	2.3
Total	1889.2	58.9	100.0
BUG Rating	B1-U2-G1		

Nyhavn Wall Maxi

Design Alfred Homann



32179-11

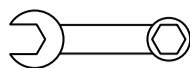
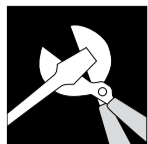
Light source	Voltage	Weight	Electric shock protection	Ingress protection
1/100W/MH/ED-17 medium 1/70W/CHM/T-6 G12 1/26W/32W/42W/CF GX24q-3/4	120/208/240/277V 120-277V	49 Lbs	Cl. I, grounded	IP 44, Wet location

Recommended cleaning substances:
Wipe off dust with a dry, soft cloth.

Remove greasy spots etc. with a soft cloth dampened in lukewarm water (<122° F/ 50° C) with a mild detergent.

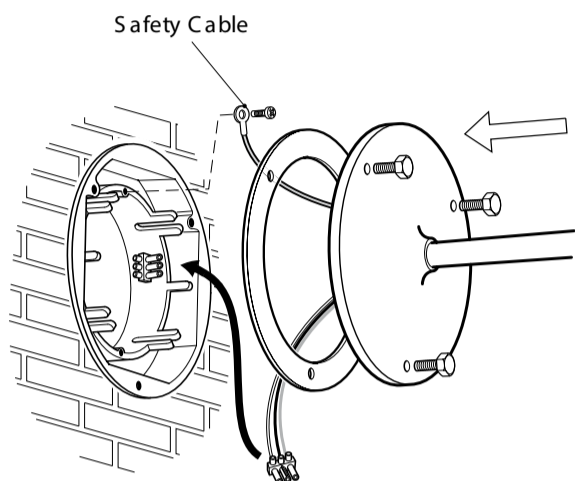
Warning:
Scouring powder and similar substances will scratch surfaces.

All installation is subject to local code and jurisdiction. Consult a qualified electrician to ensure correct branch circuit conductor.

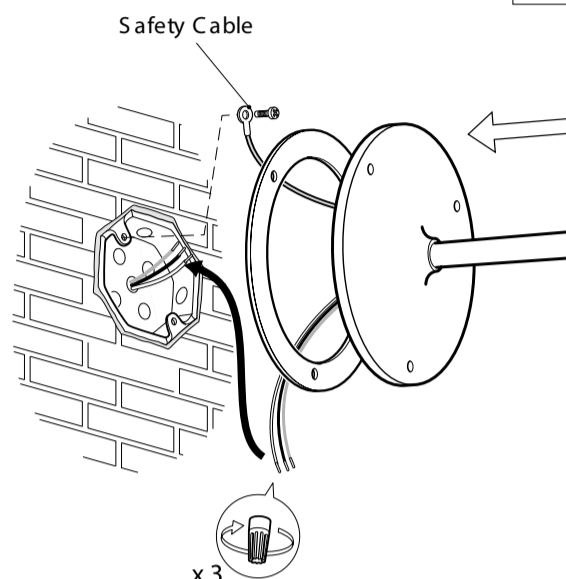
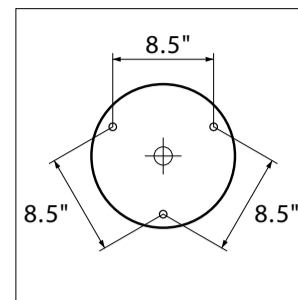


For HID installation
On Recessed Ballast box

See further mounting
instructions in the manual
supplied with the
Recessed Ballast box



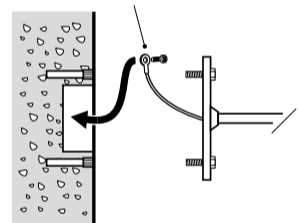
For CF installation
Over a 4" junction box



- Green to Green (ground)
- White to White
- Black to Black



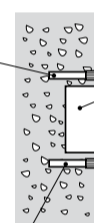
Connect safety cable to the
Junction box
(screw not provided)



Lamp Replacement Labels

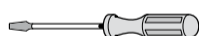
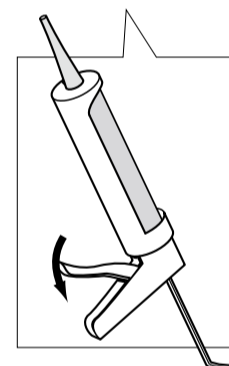
This luminaire may have different light source options.
The Installer must ensure that the lamp Replacement Label on the luminaire represents the appropriate light source and control gear.
During installation the installer must delete, with a permanent marker, the lamp wattages that do not apply.

Rawplugs
Screws
Expansion bolts
(Not provided)

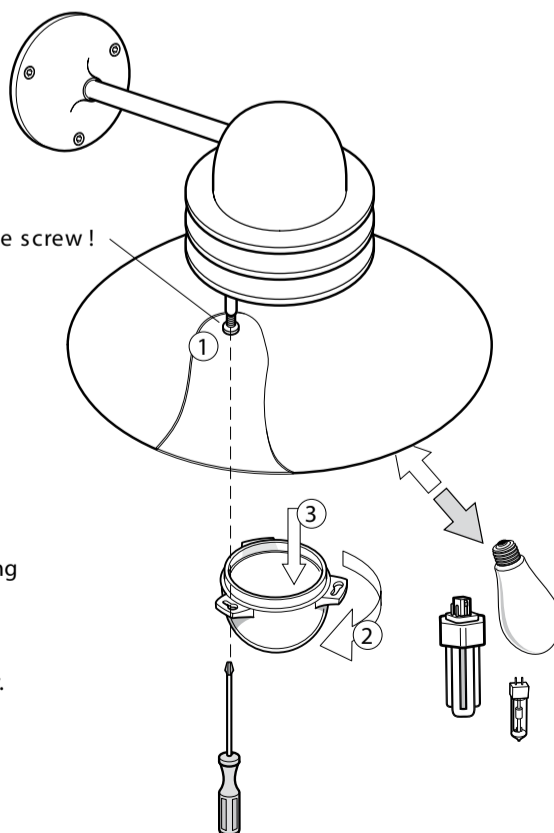


The installer must seal the back of the wall flange to the wall with a bead of silicone

The installer must ensure to use proper means (rawplugs / screws / expansion bolts) to secure the fixture to the wall material. (Means not provided)
The installer must if necessary reinforce the wall structure by adequate means.



Do NOT remove screw !



Re-lamping:

Remove the polycarbonate shade by loosening the screw. Do NOT remove screw !
Turn and pull down the polycarbonate shade.
Replace the light source.
Remount the enclosure and tighten the screw.

Use only light source in accordance to the lamp Replacement label on the luminaire

Recessed Ballast Box

DISASSEMBLE FIXTURE. REMOVE BALLAST FROM CAST BALLAST BOX BY LOOSENING 2 SCREWS AND PASSING THROUGH KEYHOLE SLOTS.

PREPARE WALL WITH A CUTOUT OF $\text{Ø}10.38"$. THE LIP OF THE BALLAST BOX WILL REST ON THE WALL SURFACE.

MOUNT THE BALLAST BOX TO THE WALL BY DRILLING THROUGH THE 3 INDENTS IN REAR OF BOX. THE "UP" ARROW MUST BE POSITIONED CORRECTLY. ALTERNATIVELY, USE THE SIDE M5 SCREWS TO MOUNT BALLAST BOX TO BRACKETS (NOT INCLUDED).

RUN CONDUIT INTO BALLAST BOX BY USING THE $3/4"$ THREADED HOLES LOCATED ON THE 4 SIDES OF THE BALLAST BOX.

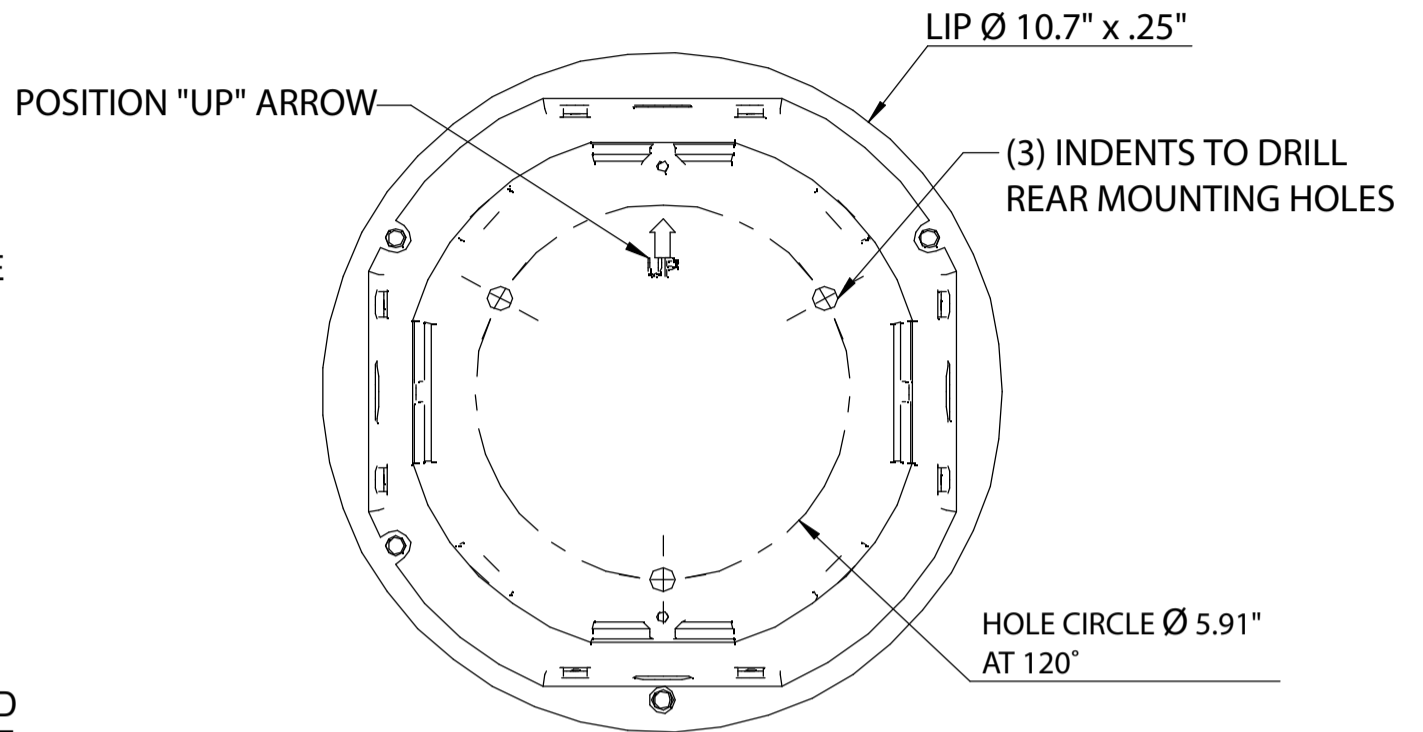
MAKE ELECTRICAL CONNECTIONS TO THE BALLAST:

BLACK = LINE VOLTAGE
WHITE = NEUTRAL
GREEN = GROUND.

CAUTION: THE FACTORY SETS THE BALLAST TO OPERATE AT 277V AC. CHANGE THE BALLAST WIRING IF ANOTHER VOLTAGE IS TO BE USED.

MAKE ELECTRICAL CONNECTIONS FROM THE BALLAST TO THE FIXTURE.

ATTACH THE FIXTURE TO THE BALLAST BOX, ENSURING THAT THE GASKET SEALS THE JOINT BETWEEN FIXTURE AND BALLAST BOX.



FRONT VIEW OF BALLAST BOX

