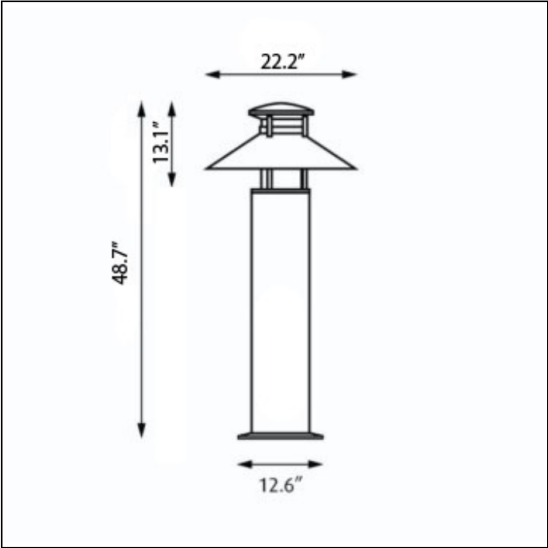


Nyhavn Bollard

NYB-1-100W-MH

PRODUCT SPECIFICATION

Product description



Design Alfred Homann

Concept The fixture emits a symmetrical light distribution. The conical shade ensures comfortable light that is directed downwards in a wide beam. The inner side of the shade has a white matte painted surface, ensuring a soft uniform light. Light is redirected onto the top side of the shade by the conical shaped reflector inside the luminaire top, allowing the viewer to see the complete bollard when lit.

Finish Natural painted aluminum or white, powder coated.

Material Shade: Die cast aluminum. Enclosure: Injection molded clear U.V. stabilized polycarbonate. Top: Die cast aluminum. Post: Extruded aluminum. Base plate: Die cast aluminum.

Mounting Base plate dimension: 12.6" diameter. Base plate: Mounted to a concrete base with 3 anchor bolts.

Weight Max. 50 lbs.

Label cULus, Wet location. IBEW.

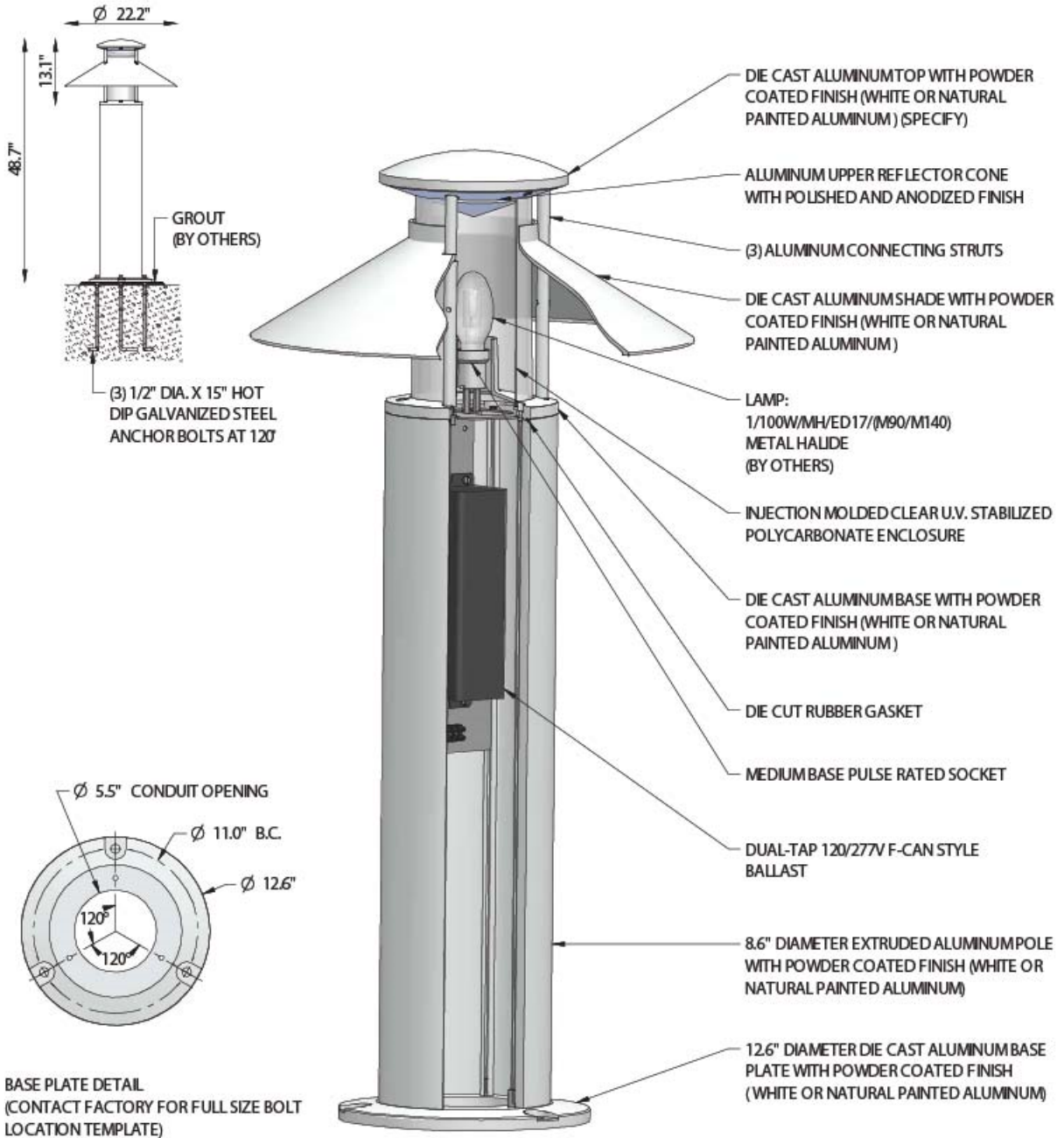
Product Code	Light source	Voltage	Finish
NY-B	1/100W/MH/ED-17 medium	120/277V	NAT PAINT ALU WHT

Nyhavn Bollard

NYB-1-100W-MH

PRODUCT SPECIFICATION

Material description



Nyhavn Bollard

NYB-1-100W-MH

PRODUCT SPECIFICATION

Light Measurements

Photometric Report: NYB-1-100W-MH

Report No: LP1314

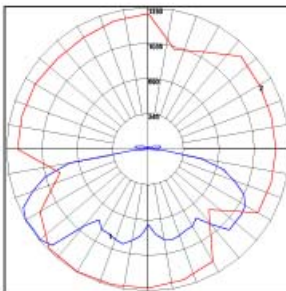
Poulsen Report No: NYB-1-100W-MH

Luminaire: NYHAVN BOLLARD

Lamp: 1/100W/MH/ED-17

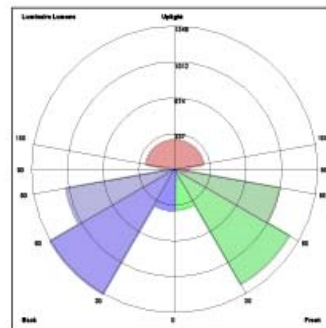
Efficiency: 71%

Description: All data shown are per 8500 lumens. This report can be used for calculation on all versions listed below. Use only actual lumen data calculating.



Candlepower Distribution

Vertical Angle	Candela
0	736.9
5	865.5
15	939.6
25	908.4
35	803.1
45	1200.8
55	1282.7
65	1196.9
75	888.9
90	0.0
120	81.8
150	19.4
180	19.5



Zonal Lumen Summary

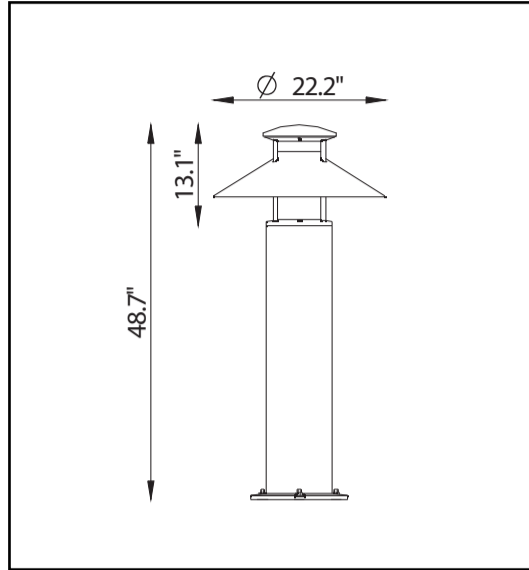
Zone	Lumens	% Lamp	% Fixture
0-20	343.79	4.00	5.70
0-30	760.01	8.90	12.60
0-40	1323.05	15.60	22.00
0-60	3354.89	39.50	55.80
0-80	5389.22	63.40	89.60
0-90	5646.79	66.40	93.90
10-90	5564.42	65.50	92.60
20-40	979.26	11.50	16.30
20-50	1891.63	22.30	31.50
40-70	3171.63	37.30	52.80
60-80	2034.33	23.90	33.80
70-80	894.53	10.50	14.90
80-90	257.58	3.00	4.30
90-110	212.53	2.50	3.50
90-120	278.33	3.30	4.60
90-130	312.13	3.70	5.20
90-150	346.19	4.10	5.80
90-180	364.77	4.30	6.10
110-180	152.25	1.80	2.50
0-180	6011.56	70.70	100.00

LUMINAIRE CLASSIFICATION SYSTEM (LCS)

	Lumens	% Lamp	% Luminaire
FL - Front-Low (0-30)	377.8	4.4	6.3
FM - Front-Medium (30-60)	1248.1	14.7	20.7
FH - Front-High (60-90)	908.1	11.7	16.6
FVH - Front-Very High (80-90)	128.0	1.5	2.1
BL - Back-Low (0-30)	382.2	4.5	6.4
BM - Back-Medium (30-60)	1348.8	15.9	22.4
BH - Back-High (60-90)	1036.2	12.2	17.2
BVH - Back-Very High (80-90)	129.6	1.5	2.2
UL - Uplight-Low (90-100)	94.7	1.1	1.6
UH - Uplight-High (100-180)	270.1	3.2	4.5
Total	8011.6	70.7	100.0
BUG Rating	B3-U3-G2		

Nyhavn Bollard

Design Alfred Homann



Light source	Voltage	Weight	Electric shock protection	Ingress protection
1/100W/MH/ED-17 medium	120-277V	50 lbs	Cl. I	IP 65, Wet location

Recommended cleaning substances:

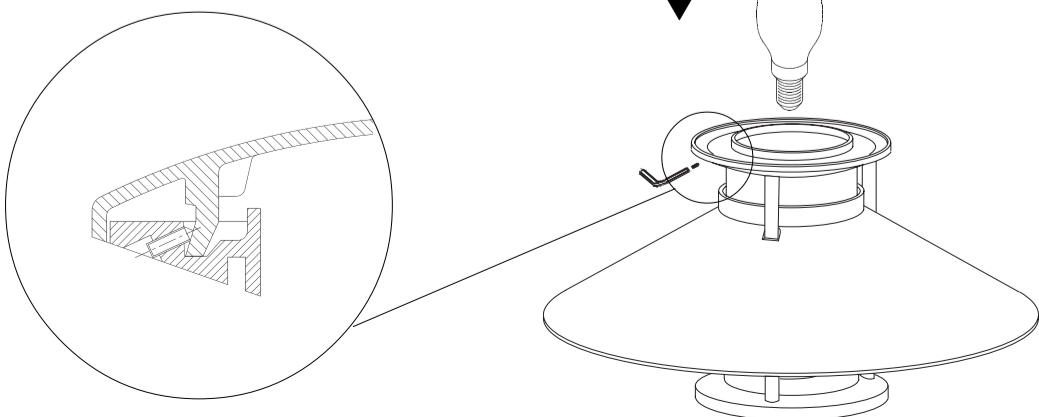
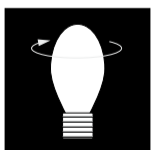
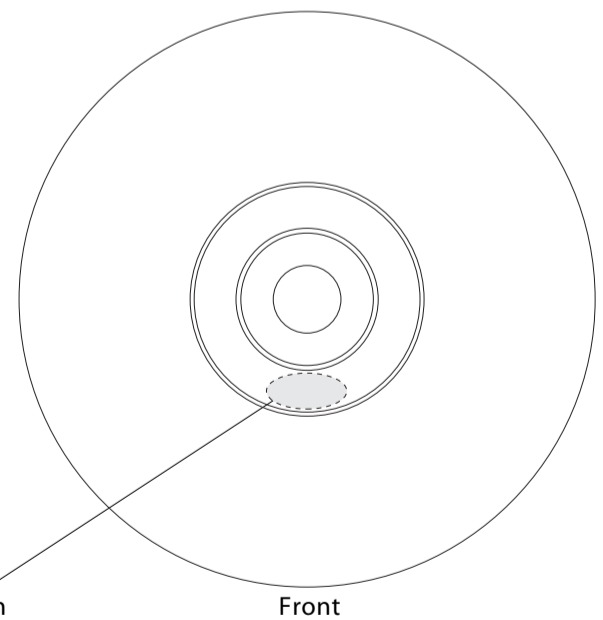
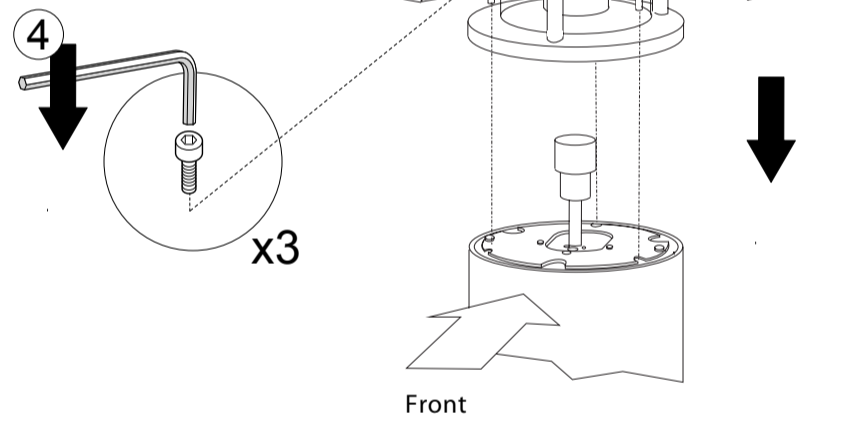
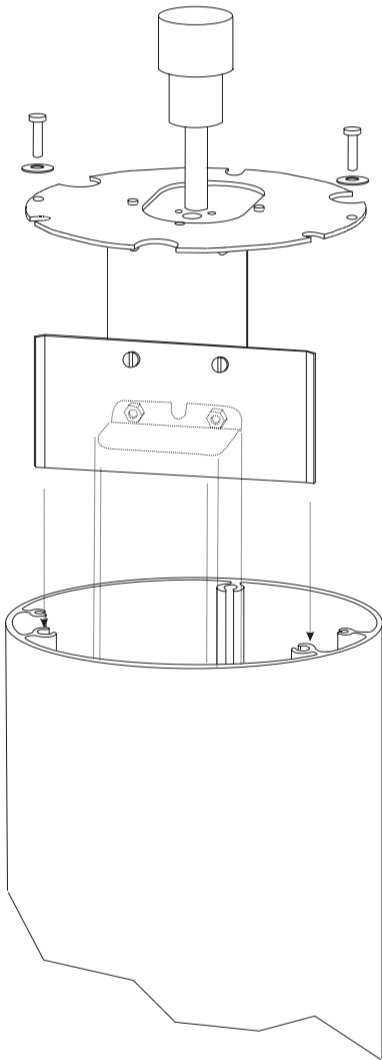
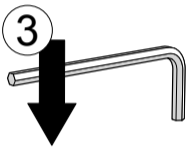
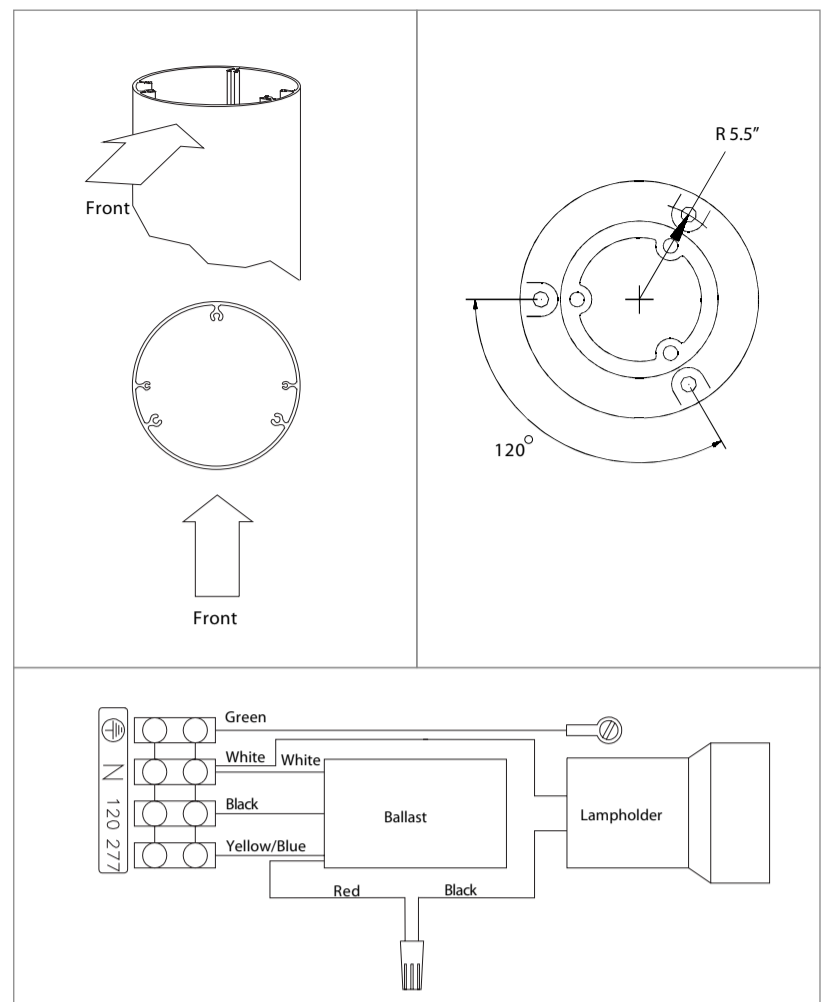
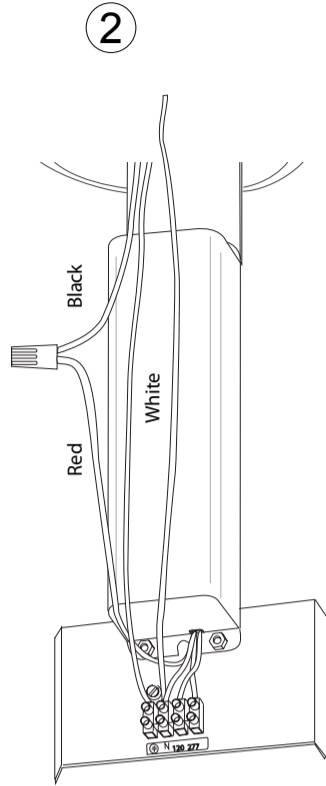
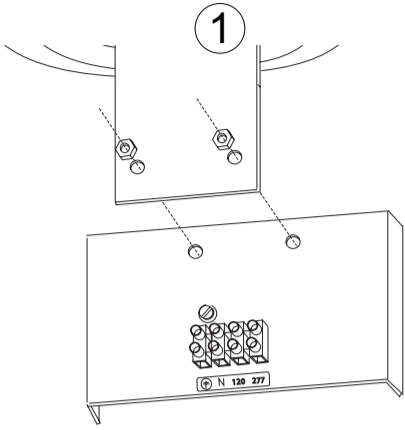
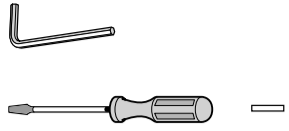
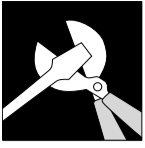
Wipe off dust with a dry, soft cloth. Remove greasy spots etc. with a soft cloth dampened in lukewarm water (<122° F/ 50° C) with a mild detergent.

Warning: Scouring powder and similar substances will scratch surfaces.

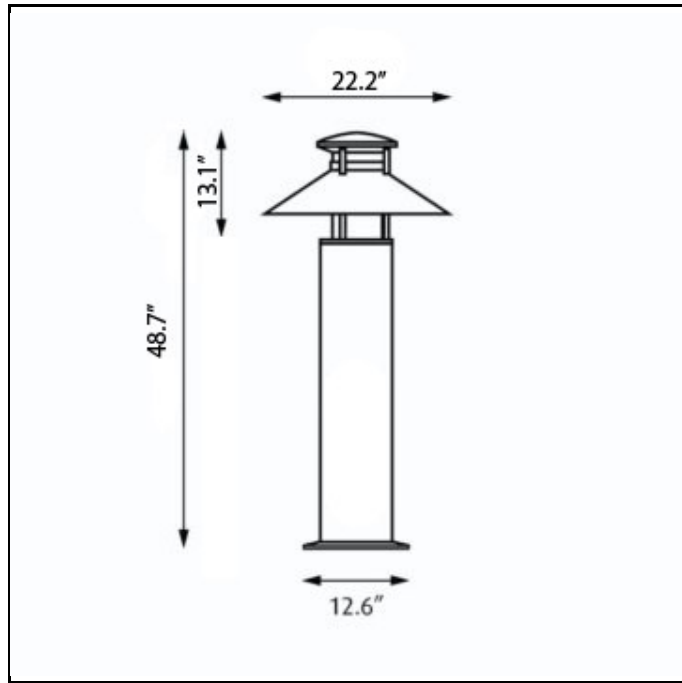
All installation is subject to local code and jurisdiction.

Consult a qualified electrician to ensure correct branch circuit conductor. The installer must ensure that the foundation is stable and can support the luminaire's weight.

The installer must use proper means to secure the luminaire to the ground.



Nyhavn Bollard



Design Alfred Homann

Concept The fixture emits a symmetrical light distribution. The conical shade ensures comfortable light that is directed downwards in a wide beam. The inner side of the shade has a white matte painted surface, ensuring a soft uniform light. Light is redirected onto the top side of the shade by the conical shaped reflector inside the luminaire top, allowing the viewer to see the complete bollard when lit.

Finish Natural painted aluminum or white, powder coated.

Material Shade: Die cast aluminum. Enclosure: Injection molded clear U.V. stabilized polycarbonate. Top: Die cast aluminum. Post: Extruded aluminum. Base plate: Die cast aluminum.

Mounting Base plate dimension: 12.6" diameter. Base plate: Mounted to a concrete base with 3 anchor bolts.

Weight Max. 50 lbs.

Label cULus, Wet location. IBEW.

Product Code	Light source	Voltage	Finish
NY-B	1/100W/MH/ED-17 medium	120/277V	NAT PAINT ALU WHT