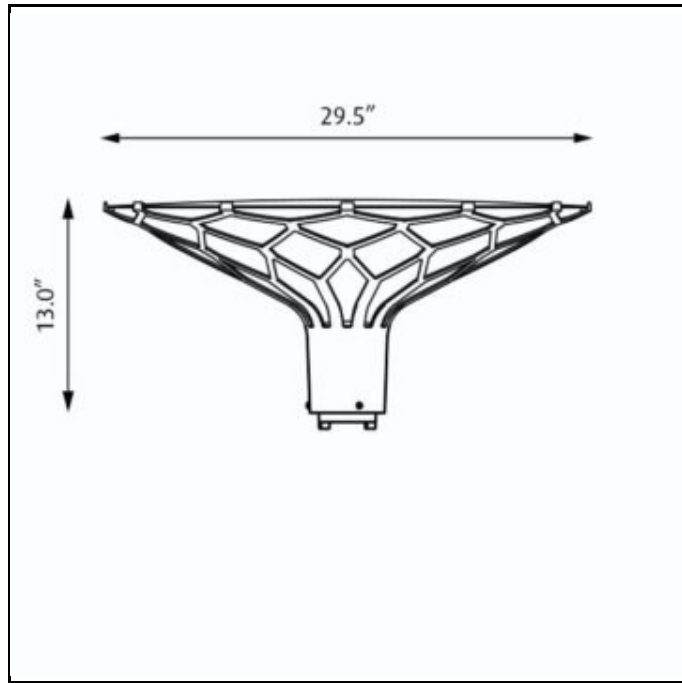


LP Nest



Design Bystrup Architects

Concept The fixture emits an indirect, soft and symmetrical light. Reflections in the "lattice" create an attractive play of light within the fixture.

Finish Natural painted aluminum or graphite grey, powder coated.

Material Top shade: Spun aluminum. Enclosure: Clear glass. Reflector: Anodized aluminum. Framework: Die cast aluminum.

Mounting Post top: Mounted on round straight aluminum (RSA) pole.

Weight Max. 18 lbs.

Label cULus, Wet Location. IBEW

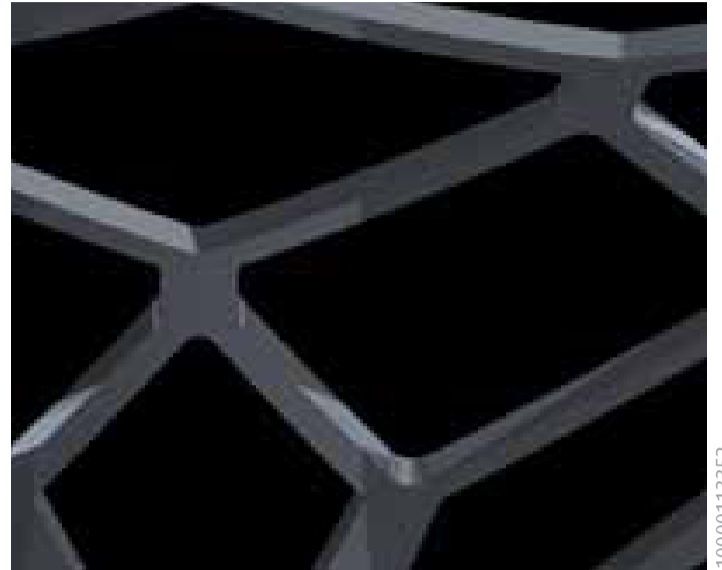
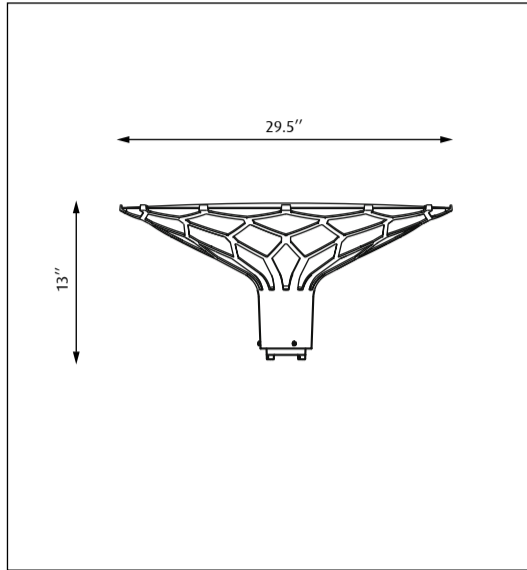
Product Code	Light source	Voltage	Finish	Transition to pole	Features
LP NEST	1/150W/CMH/T-6 G12 1/70W/CMH/T-6 G12 56W LED/3000K 56W LED/4000K	120-277V	GRAPH NAT PAINT ALU	T-RSA-4.5"	DIM 0-10V NOT APPLICABLE

Specification notes

a. Dimming option is only available for 150W and for LED variants.

LP Nest LED Controls

Design Bystrup Arkitekter



10000113352

Light source	Voltage	Weight	Electric shock protection	Ingress protection
60 W LED	120-277V	18 Lbs	Cl. I	IP 66

Recommended cleaning substances:

Wipe off dust with a dry, soft cloth. Remove greasy spots etc. with a soft cloth dampened in lukewarm water (<122° F/ 50° C) with a mild detergent.

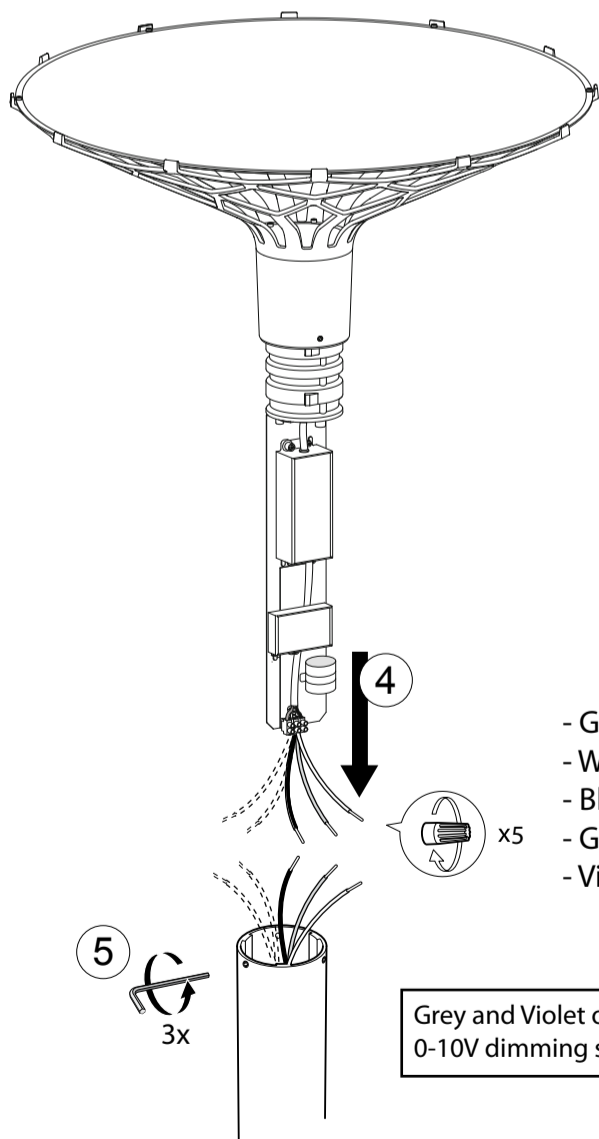
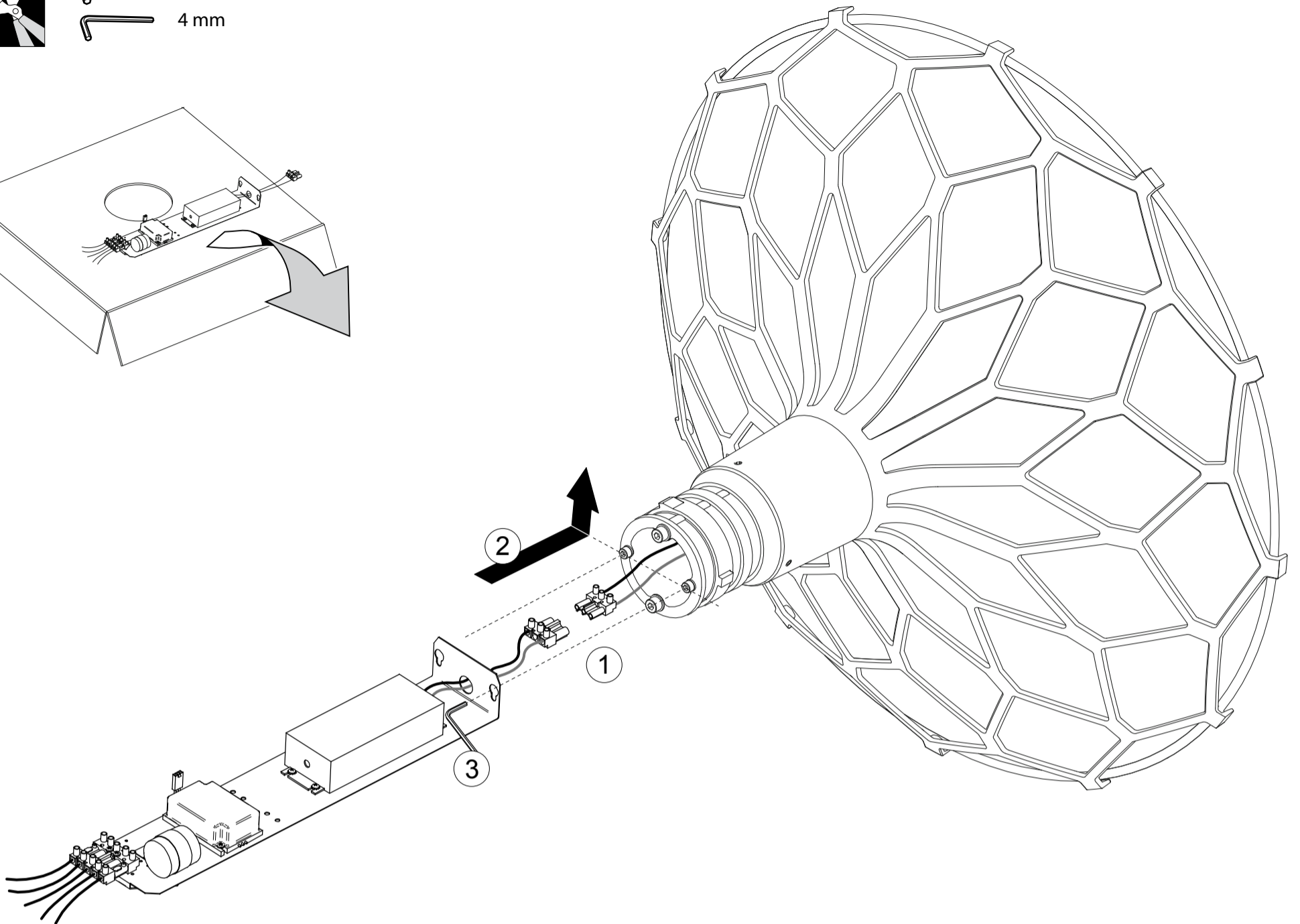
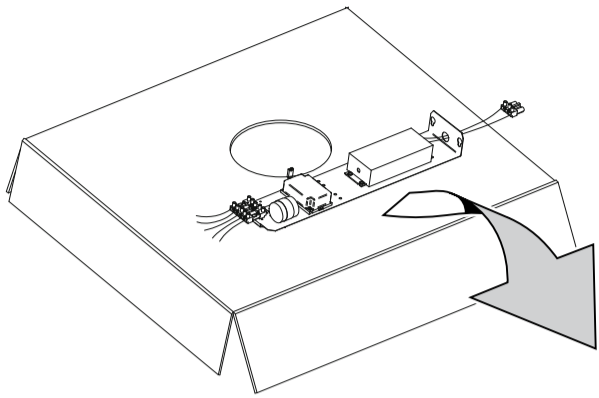
Warning: Scouring powder and similar substances will scratch surfaces.


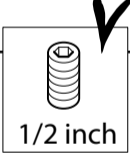
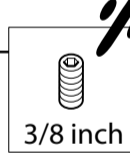
All installation is subject to local code and jurisdiction. Consult a qualified electrician to ensure correct branch circuit conductor.



5 mm

4 mm








1/2 inch 3/8 inch

Removed and discard set screws included in pole (3/8 inch)
Replace with 1/2 inch set screws included with fixture.

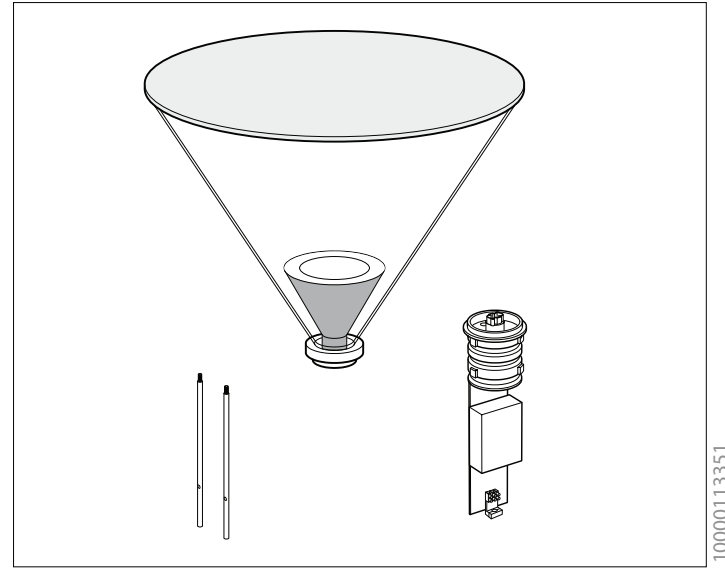
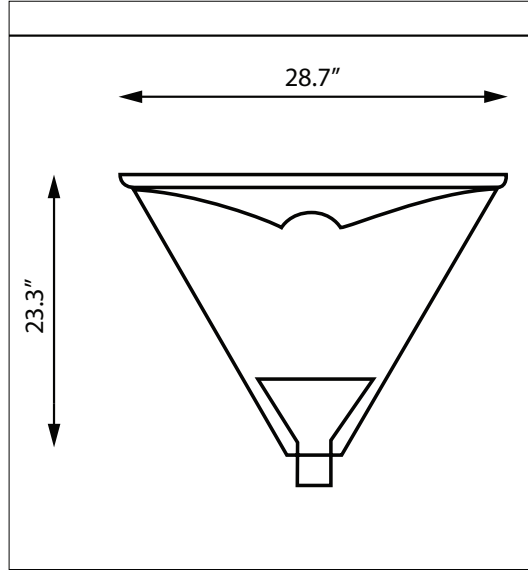
- Green to Green (ground)
- White to White (neutral)
- Black to Black (line)
- Grey to Grey (Dim-)
- Violet to Violet (Dim+)



Grey and Violet only to be connected to a 0-10V dimming signal, otherwise cap them. 

Terminal Post

Design Jens Ammundsen, Vilhelm Lauritzen A/S & Jens Gudum, Jens Gudum ApS



10000113351

Light source	Voltage	Weight	Electric shock protection	Ingress protection
1/150W/CMH/T6-G12	120-277V	22.1Lbs	Cl. I	IP 66

Recommended cleaning substances:

Wipe off dust with a dry, soft cloth. Remove greasy spots etc. with a soft cloth dampened in lukewarm water (<122° F/ 50° C) with a mild detergent.

Warning: Scouring powder and similar substances will scratch surfaces.

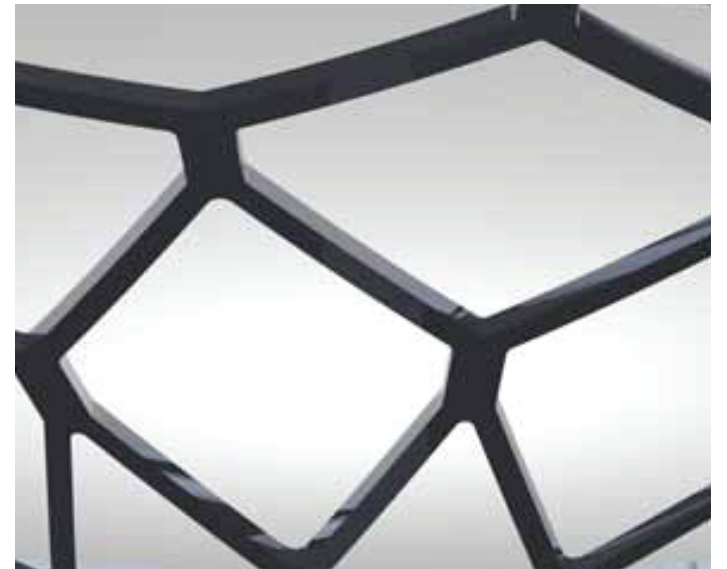
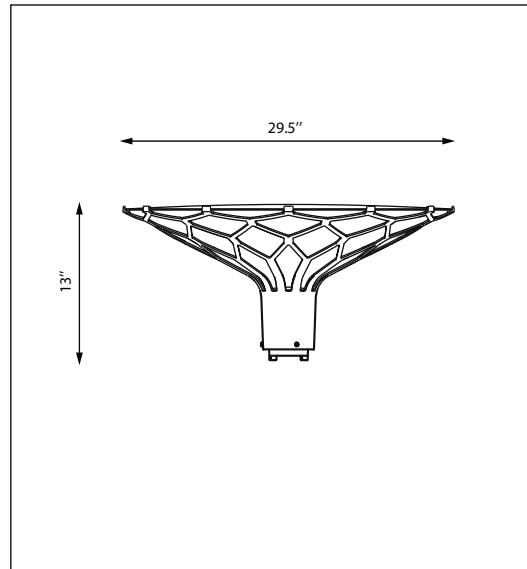
All installation is subject to local code and jurisdiction.

Consult a qualified electrician to ensure correct branch circuit conductor. The installer must ensure that the foundation is stable and can support the luminaire's weight.

The Installer must use proper means to secure the luminaire to the ground.

LP Nest

Design Bystrup Arkitekter



Light source	Voltage/frequency	Weight	Electric shock protection	Ingress protection
1x70W/CMH/T6-G12 1x150W/CMH/T6-G12	120-277V	13.2 lbs	Cl. I	IP 66

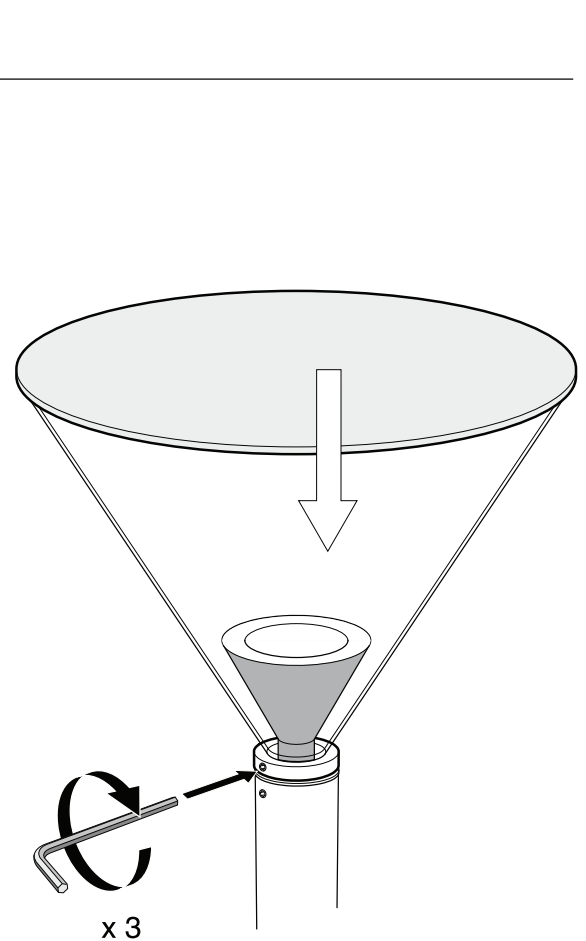
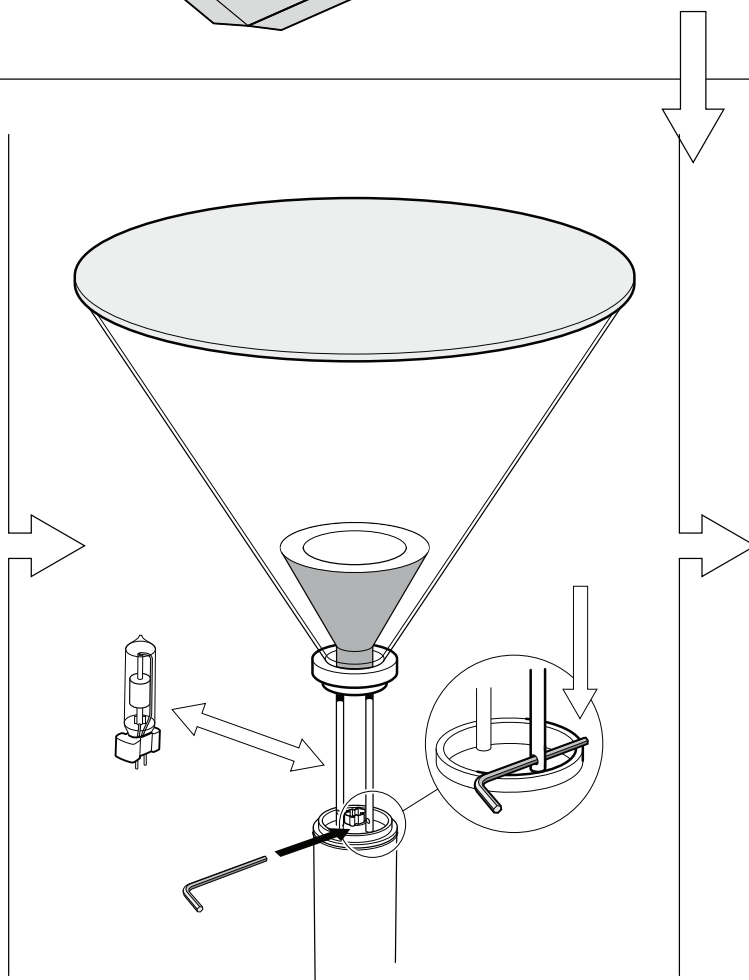
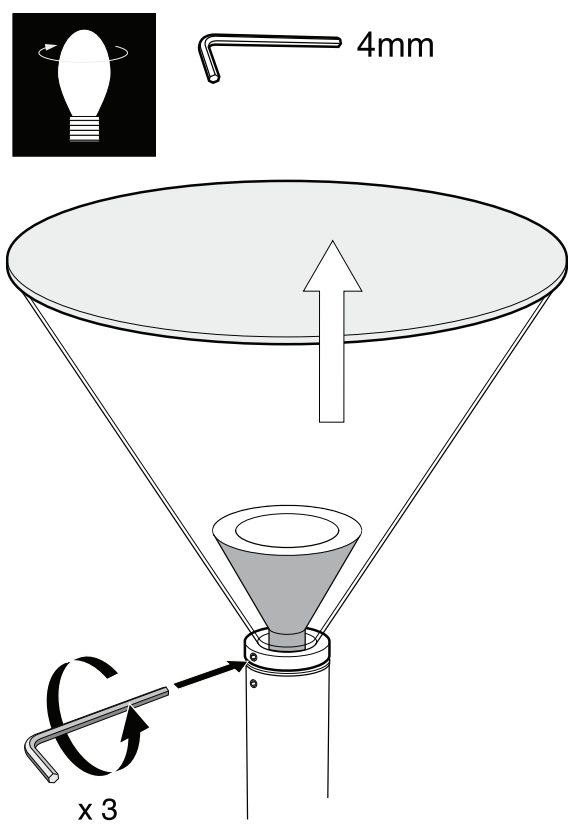
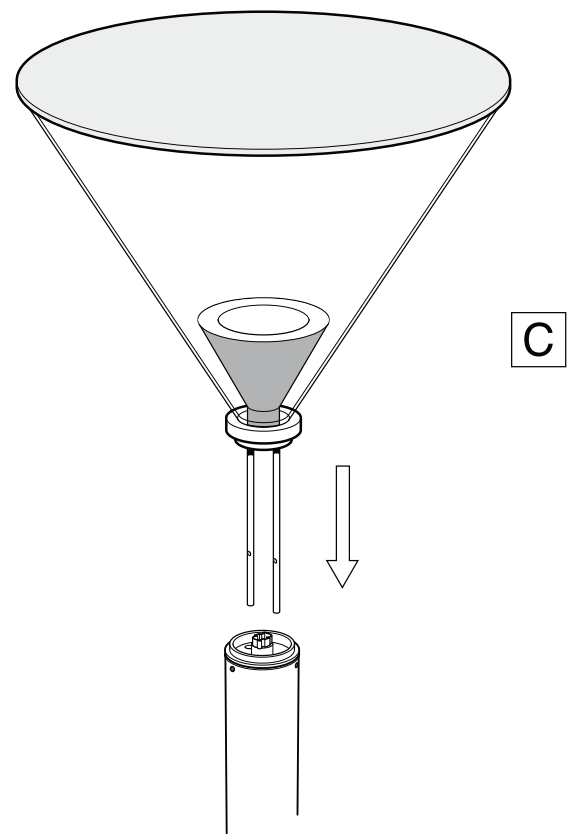
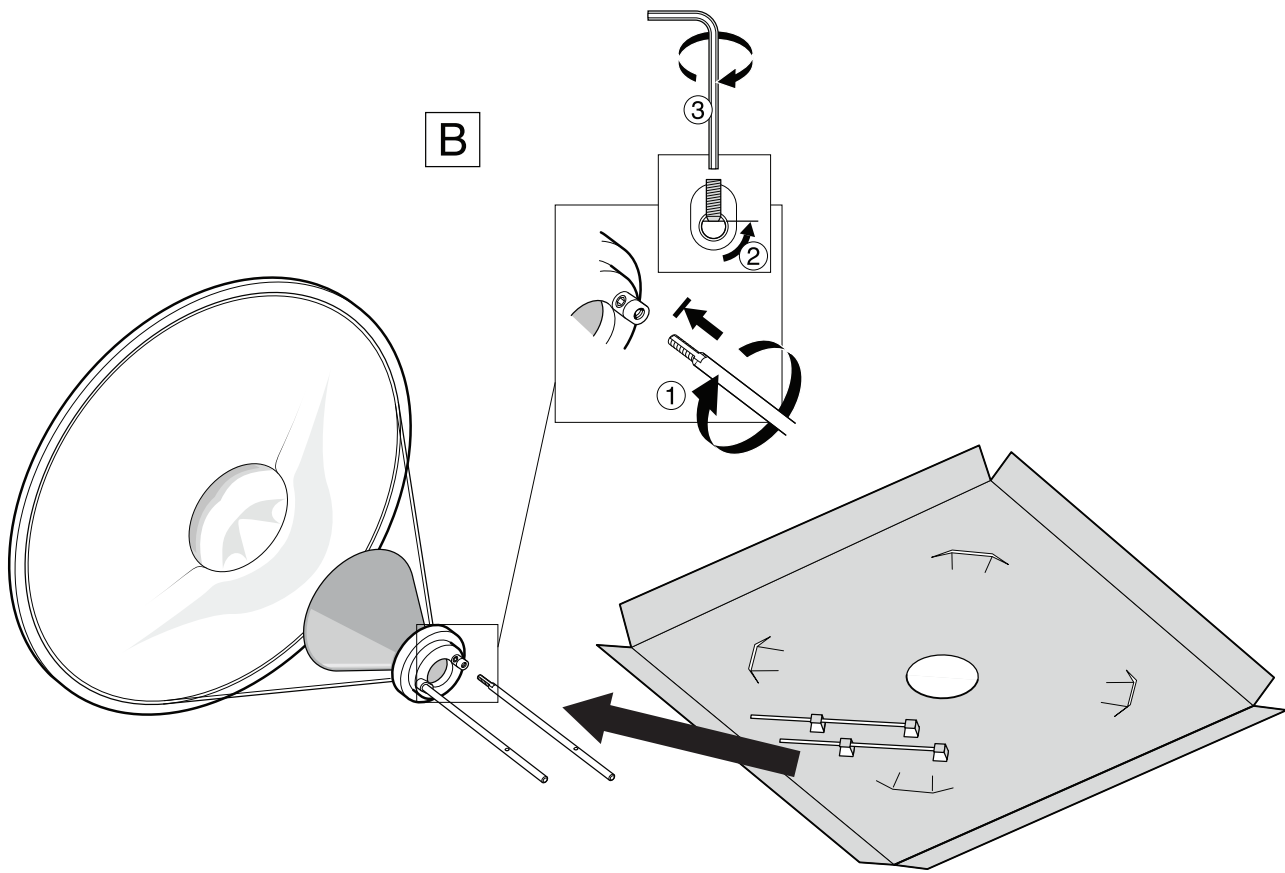
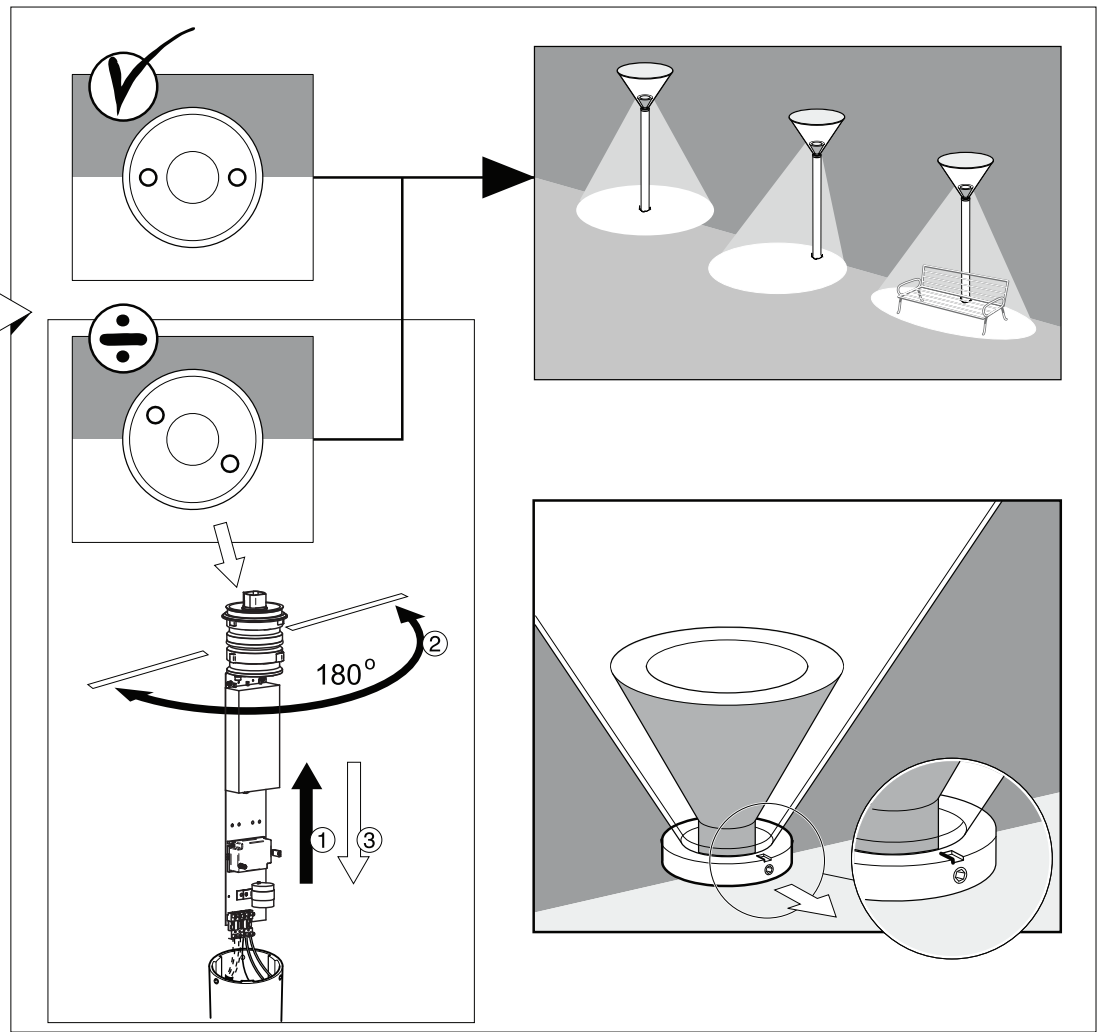
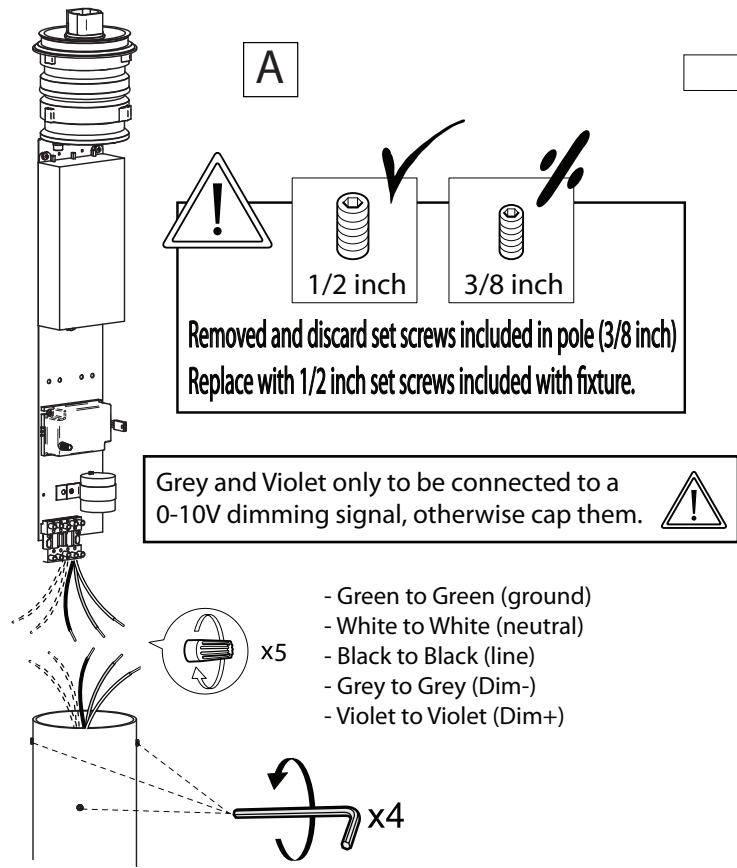
Recommended cleaning substances:

Wipe off dust with a dry, soft cloth. Remove greasy spots etc. with a soft cloth dampened in lukewarm water (<122° F/ 50° C) with a mild detergent.

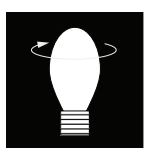
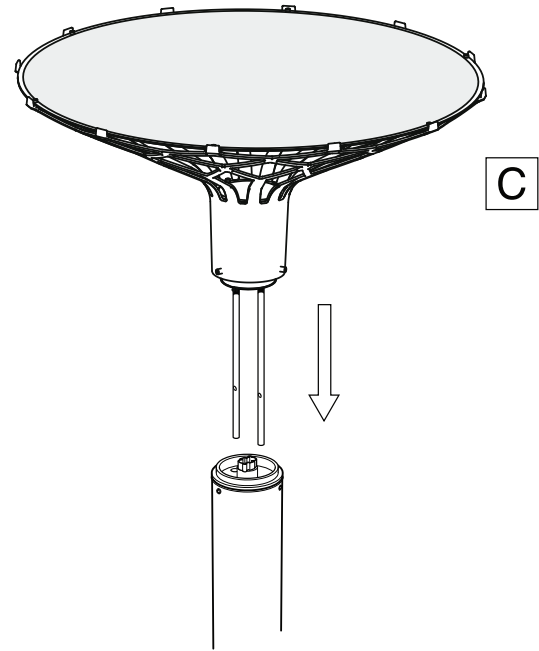
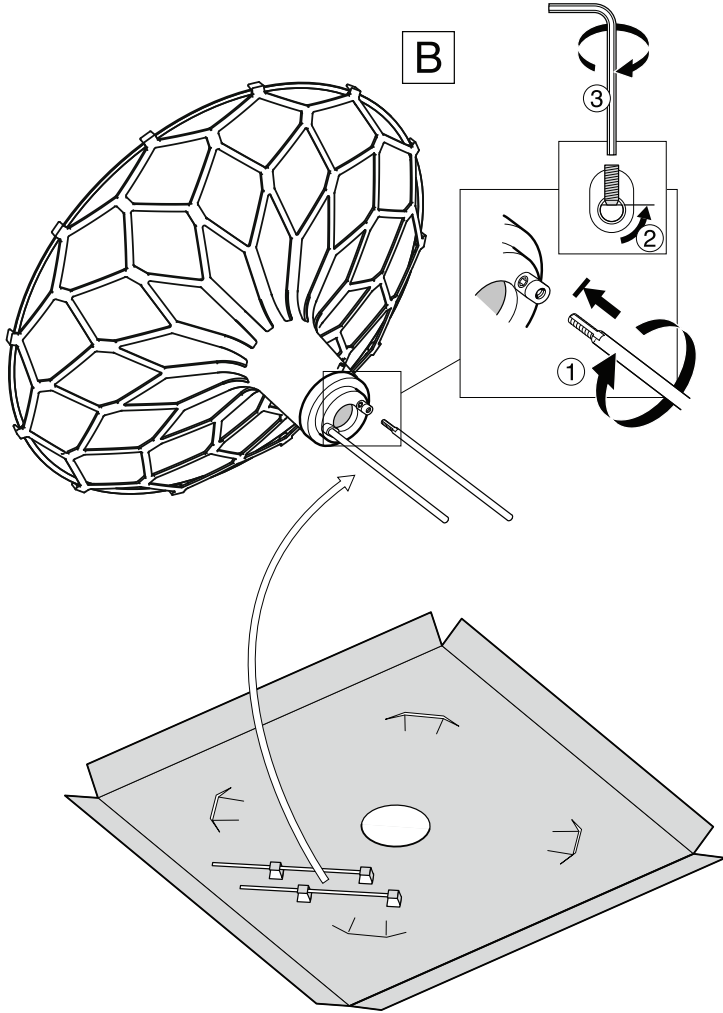
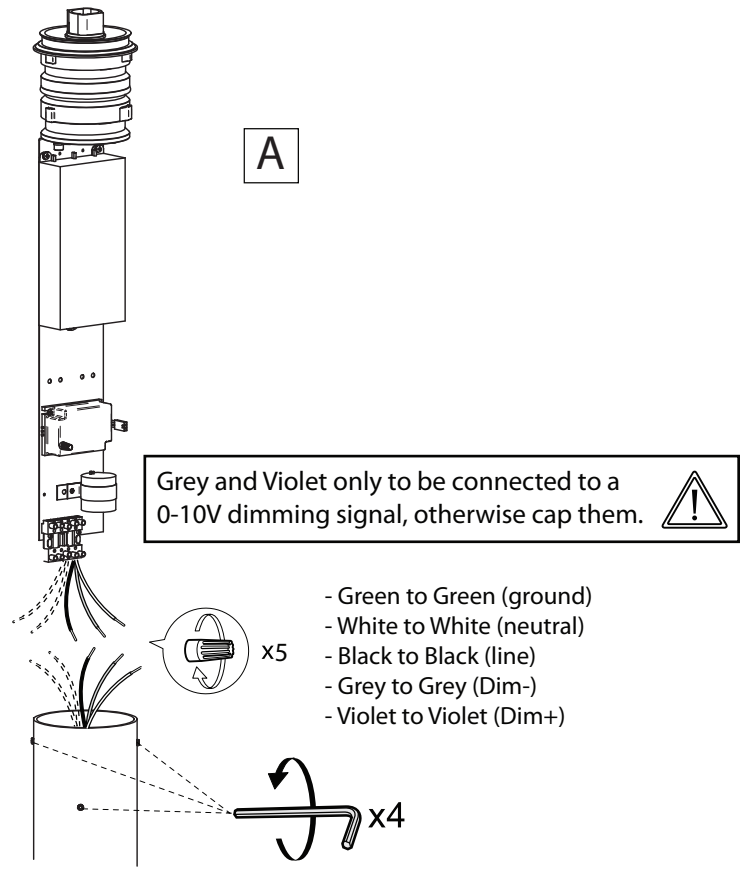
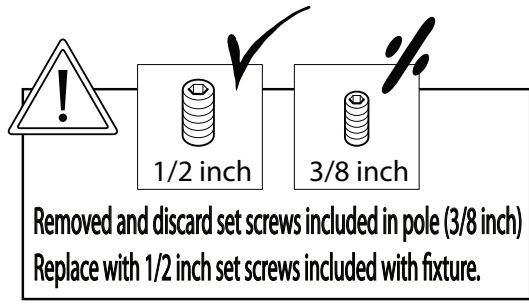
Warning: Scouring powder and similar substances will scratch surfaces.

All installation is subject to local code and jurisdiction. Consult a qualified electrician to ensure correct branch circuit conductor. The installer must ensure that the ceiling can support the luminaire's weight. The installer must if necessary reinforce the ceiling structure by adequate means.

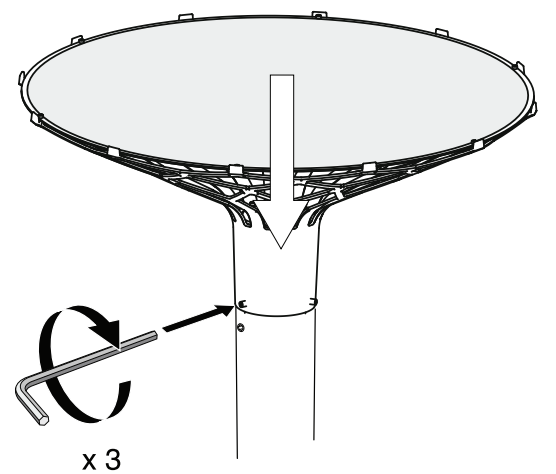
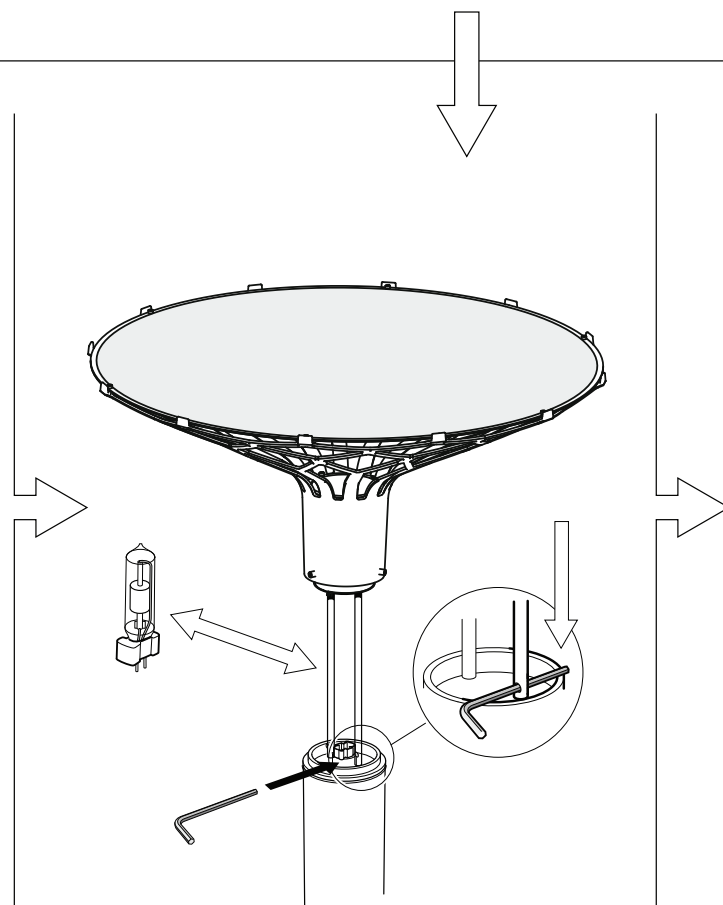
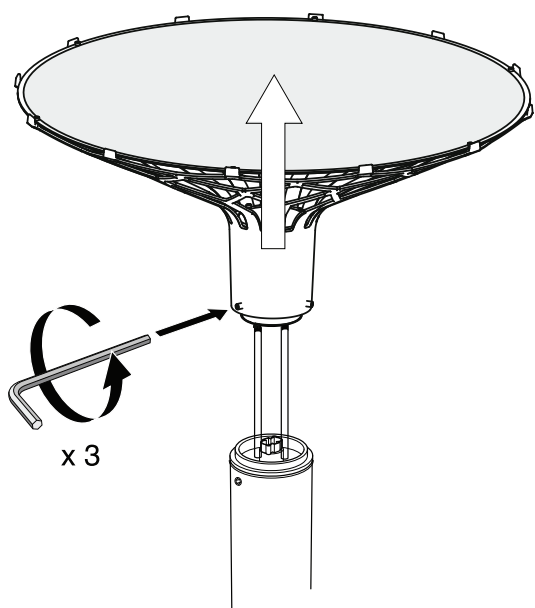
Terminal Post



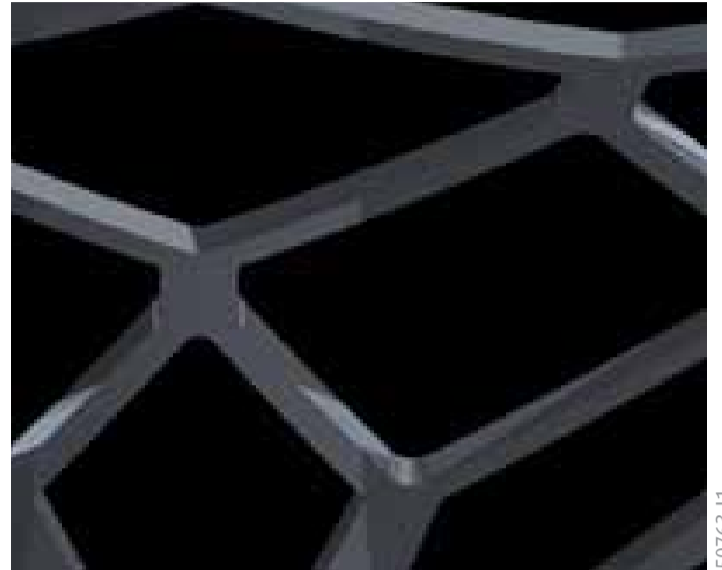
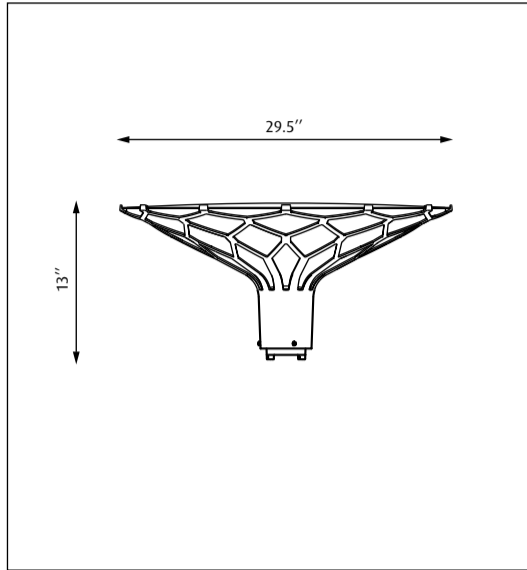
LP Nest



4mm



Design Bystrup Arkitekter



50763-11

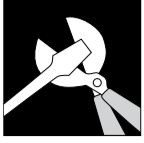
Light source	Voltage	Weight	Electric shock protection	Ingress protection
LED	120-277V	18 Lbs	Cl. I, Grounded	IP 66 Wet location

Recommended cleaning substances:

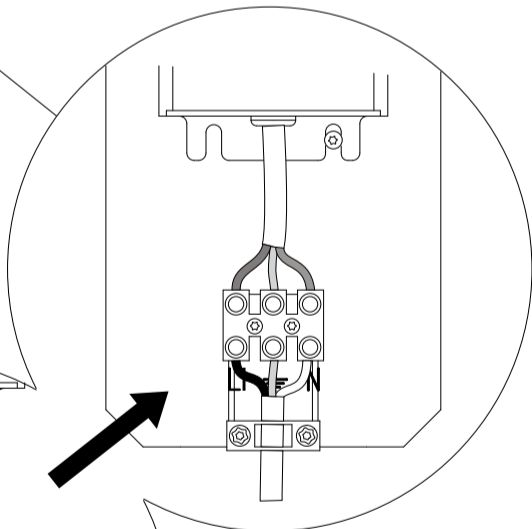
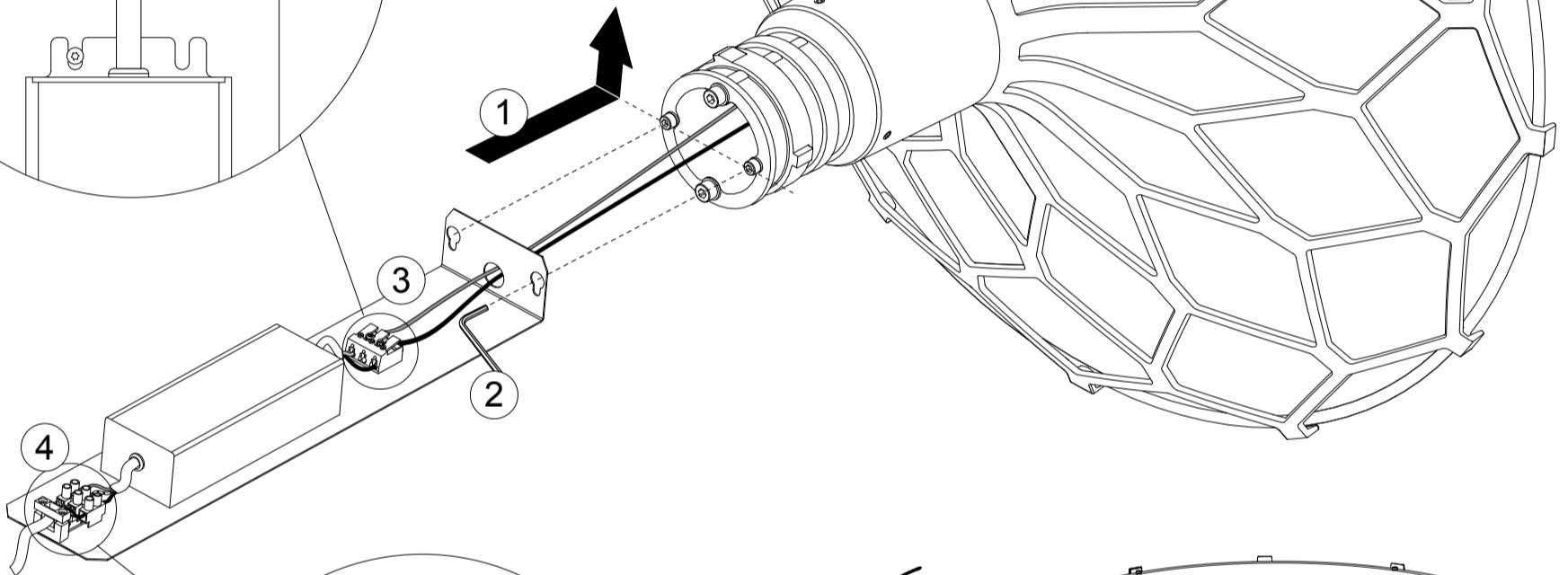
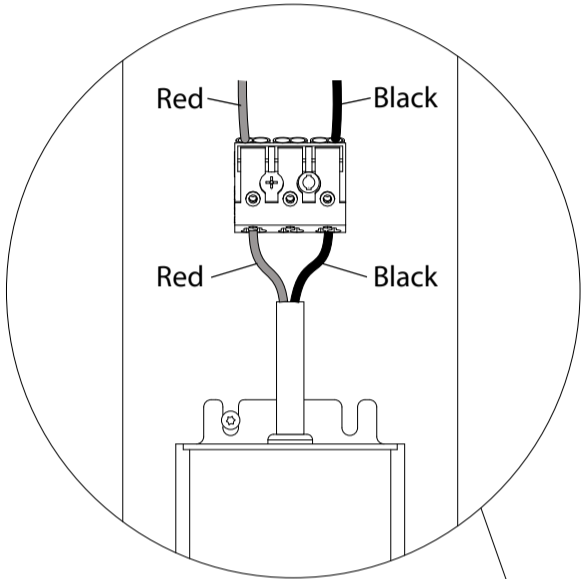
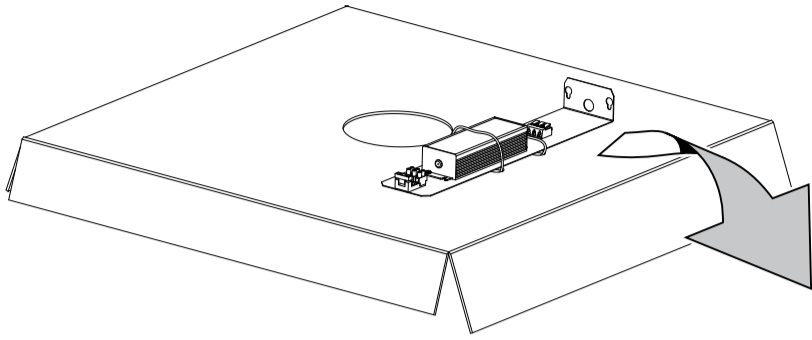
Wipe off dust with a dry, soft cloth. Remove greasy spots etc. with a soft cloth dampened in lukewarm water (<122° F/ 50° C) with a mild detergent.

Warning: Scouring powder and similar substances will scratch surfaces.

All installation is subject to local code and jurisdiction. Consult a qualified electrician to ensure correct branch circuit conductor.

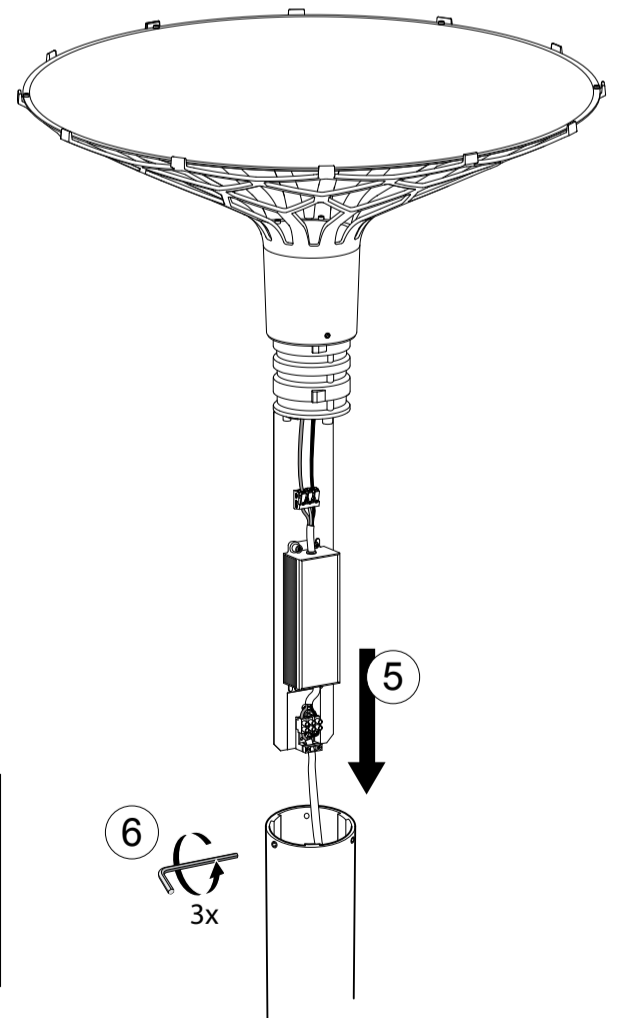
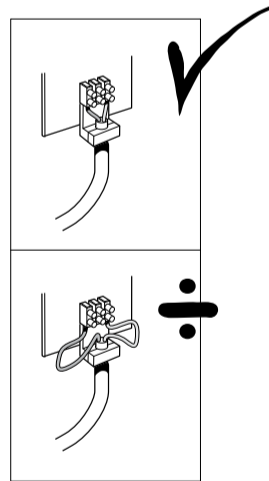


- 5 mm
- 4 mm



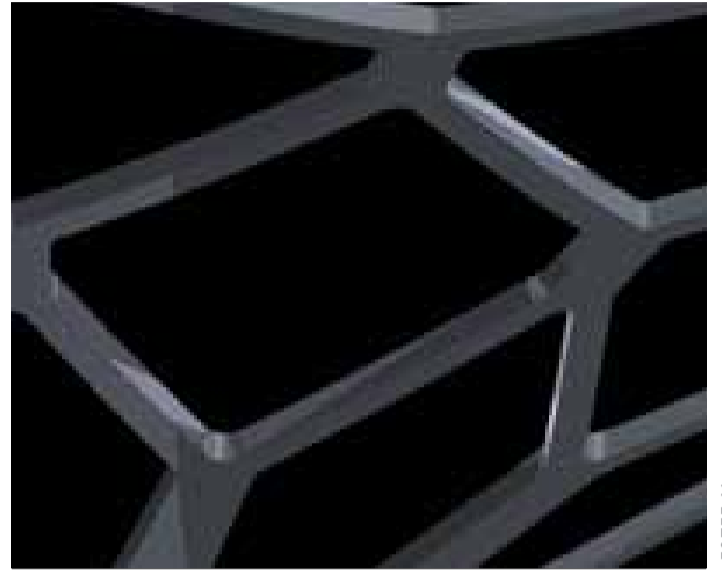
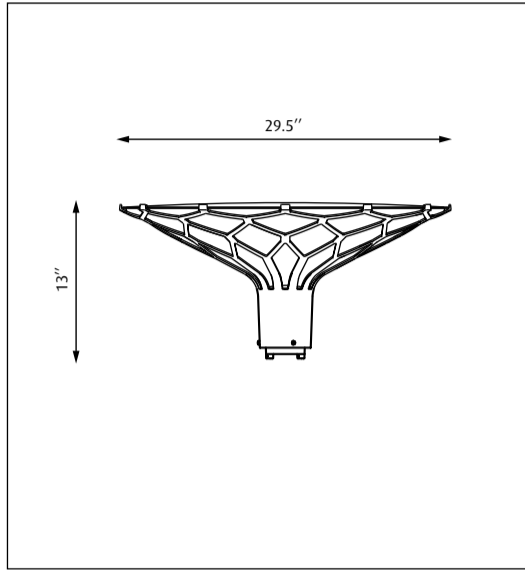
- Black to Brown
- Green to Green
- White to Blue

Black White Green



Removed and discard set screws included in pole (3/8 inch)
Replace with 1/2 inch set screws included with fixture.

Design Bystrup Arkitekter



50755-11

Light source	Voltage/frequency	Weight	Electric shock protection	Ingress protection
1x70W/CMH/T6-G12 1x150W/CMH/T6-G12	Max 120/277V	18 lbs	Cl. I Grounded	IP 66 wet locations

Recommended cleaning substances:

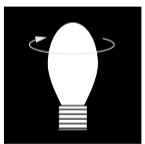
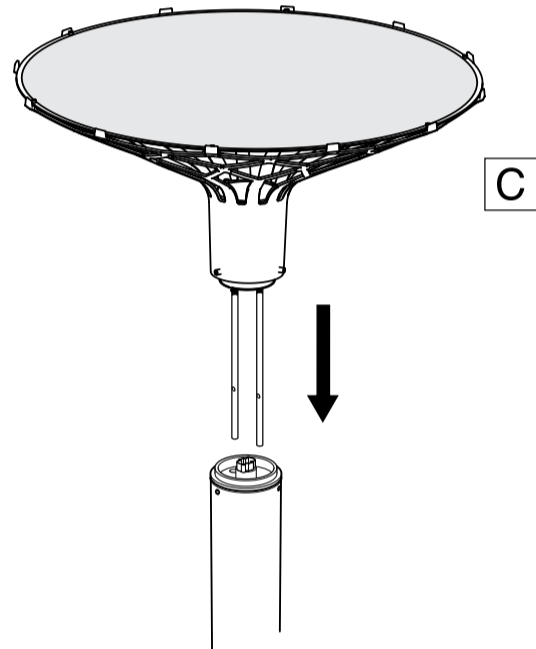
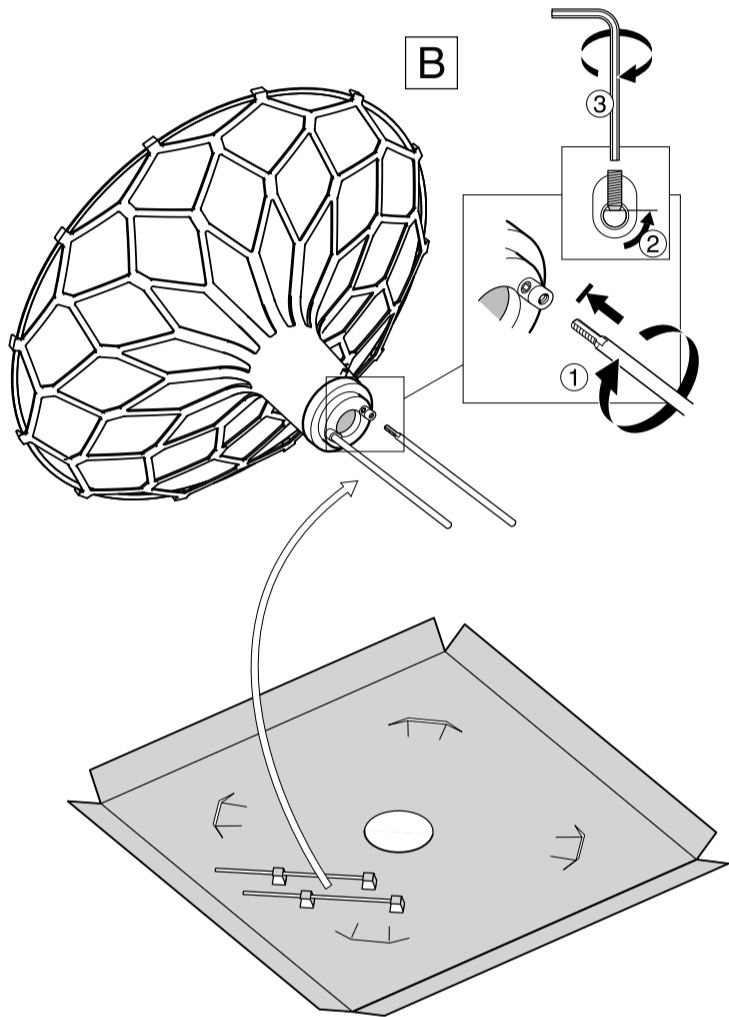
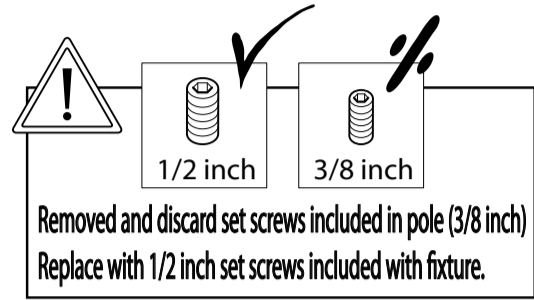
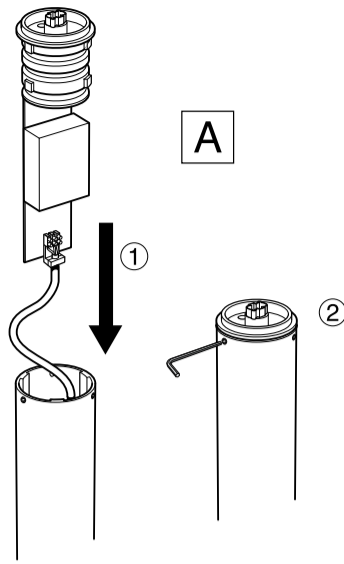
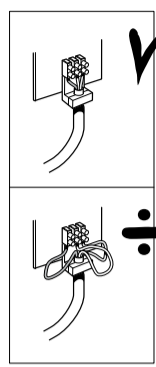
Wipe off dust with a dry, soft cloth. Remove greasy spots etc. with a soft cloth dampened in lukewarm water (<122° F/ 50° C) with a mild detergent.

Warning: Scouring powder and similar substances will scratch surfaces.

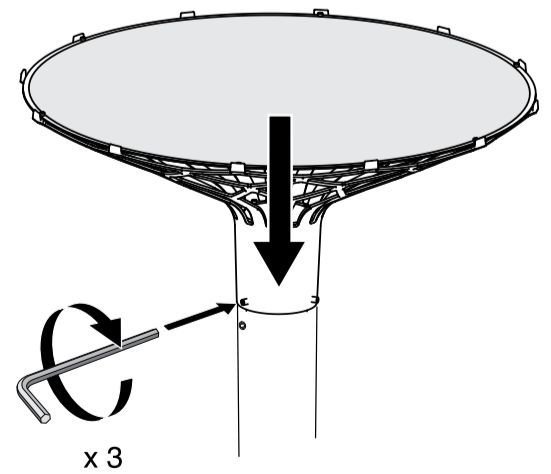
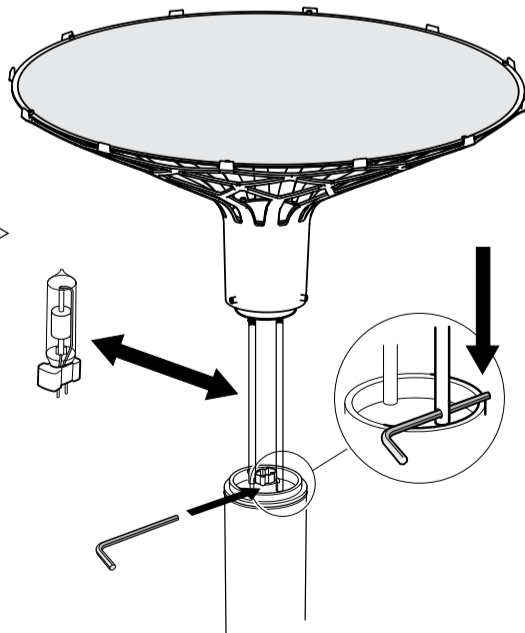
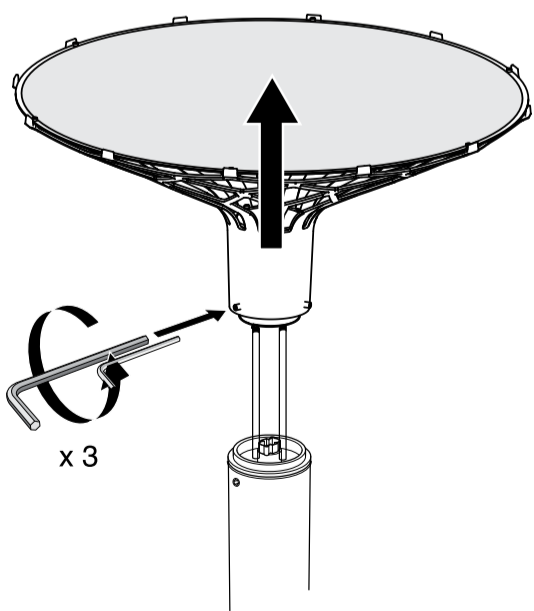
All installation is subject to local code and jurisdiction. Consult a qualified electrician to ensure correct branch circuit conductor. The installer must ensure that the ceiling can support the luminaire's weight. The installer must if necessary reinforce the ceiling structure by adequate means.



2mm
4mm



4mm



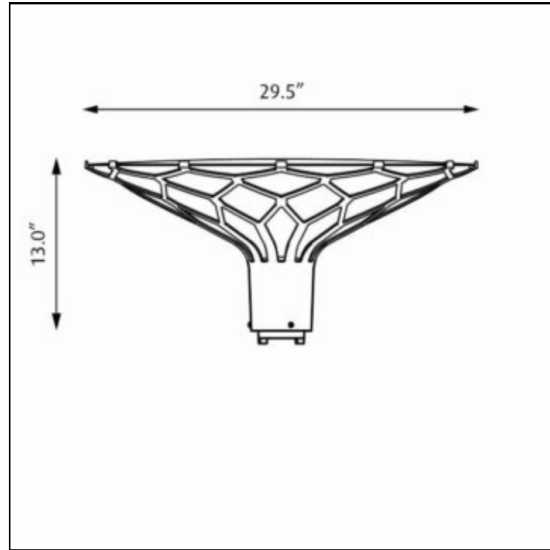
LP Nest

LP NEST-LED-DYNA

PRODUCT SPECIFICATION

Product description

LP Nest



- Design** Bystrup Architects
- Concept** The fixture emits an indirect, soft and symmetrical light. Reflections in the "lattice" create an attractive play of light within the fixture.
- Finish** Natural painted aluminum or graphite grey, powder coated.
- Material** Top shade: Spun aluminum. Enclosure: Clear glass. Reflector: Anodized aluminum. Framework: Die cast aluminum.
- Mounting** Post top: Mounted on round straight aluminum (RSA) pole.
- Weight** Max. 18 lbs.
- Label** cULus, Wet Location, IBEW

Product Code	Light source	Voltage	Finish	Electric shock protection cl.	Options
LPNEST-PT	1/150W/CMH/T-6 G12	120-277V	GRAPH	NOT APPLICABLE	DIMMING
	1/70W/CMH/T-6 G12		NAT PAINT ALU	SURGE PROTECTOR	DYNADIMMER
	60W LED 3000K US				NOT APPLICABLE
	60W LED 4000K US				

- Specification notes**
- a. CMH variants provided with one 120-277V electronic ballast to be mounted in the pole.
 - b. LED variants provided with one 120-277V electronic driver to be mounted in the pole.
 - c. All LED wattages are system power.
 - d. Dimming option is only available for 150W and for LED variants.
 - e. Dynadimmer™ option is only available for 150W and for LED variants.
 - f. Dynadimmer™ provided with dimmable ballast (CMH variant) or dimmable driver (LED variant).

- Info notes**
- I. For pole selection, refer to Pole page.
 - II. The comparable EU version has the following classification: Ingress Protection Code: IP66.
 - III. LED technology is rapidly changing. Specifications are based on present technology. For most up to date specifications see www.louispoulsen.com
 - IV. Dynadimmer™ will be programmed at the factory. Programming information required from the customer is available in the specification sheets.
 - V. For wireless control option, please consult factory

LP Nest

LP NEST-LED-DYNA

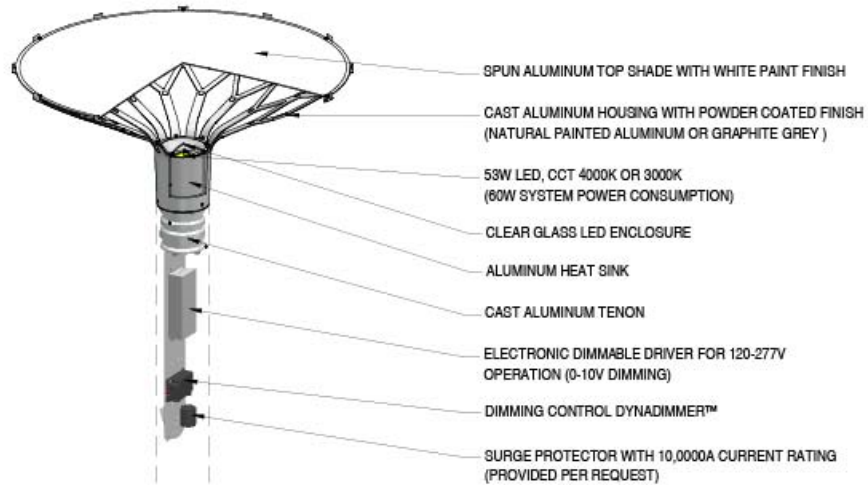
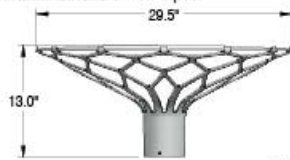
PRODUCT SPECIFICATION

Material description

NOTES:

LED TECHNOLOGY IS RAPIDLY CHANGING. LEDs ARE MADE IN LOTS AND SORTED INTO BINS BASED ON WAVELENGTHS RANGES THAT ACHIEVE COLORS. PRODUCTS ORDERED AT DIFFERENT TIMES MAY NOT HAVE THE SAME COLOR APPEARANCE.

WINDLOADING: EPA = 1.7 Sq. Ft.



ELECTRICAL POWER PA/ PROVIDED WITH LUMINA/ FOR INSTALLATION IN T- 4.5" POLES WITH INSIDE DIAMETER OF 4 1/4"

REQUIRED INFORMATION TO PROGRAM DYNADIMMER™:

- 1) CONTROL USED TO TURN ON/OFF LUMINAIRE: _____ (E.G., PHOTOCELL, TIMER)
- 2) LUMINAIRE LIGHT SOURCE: _____ (E.G., HID, LED)
- 3) SCHEDULED LUMINAIRE TIME ON: _____
- 4) SCHEDULED LUMINAIRE TIME OFF: _____

SCHEDULE FOR DYNADIMMER™ PROGRAMMING			
	START TIME	FINISH TIME	DIMMING LEVEL (%)
SETTING 1			
SETTING 2			
SETTING 3			
SETTING 4			

Notes:

- Dynadimmer™ is a standalone dimming control that enables different light levels without the need of additional switching connections
- Dynadimmer™ will be programmed at the factory
- Dynadimmer™ does not have an integral real time clock. The time is based on the luminaire's on/off time and the programming. Controls such as timers and photocells are needed to turn on/off
- For proper performance of Dynadimmer™, luminaire needs to be on for a minimum of 4 hours and a maximum of 22 hours.
- Minimum duration of each setting is 15 minutes
- Dynadimmer™ will start working after the third day, the luminaire will work full power in the meantime.
- On and off luminaire times should not vary more than 1 hour from day to day to maintain schedule. Otherwise, Dynadimmer™ schedule will be automatically changed based on new on/off times and programming.

LP Nest

LP NEST-LED-DYNA

PRODUCT SPECIFICATION

Light Measurements

Photometric Report: LP NEST-60W-LED

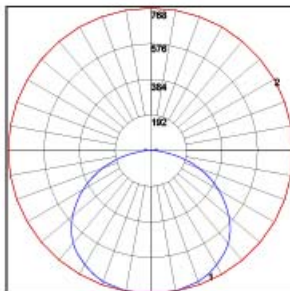
Report No: L7812A

Poulsen Report No: LP NEST-60W-LED

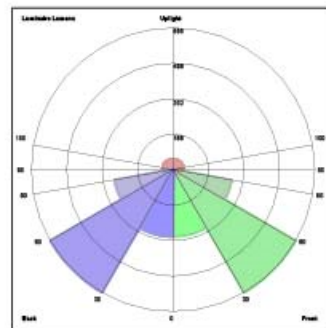
Luminaire: LP NEST

Lamp: 60W/LED/4000K

Description: All data shown are per 2662 lumens. This report can be used for calculation on all versions listed below. Use only actual lumen data calculating.



Vertical Angle	Candela
0	766.6
5	767.1
15	759.4
25	732.8
35	682.7
45	605.5
55	487.3
65	351.9
75	197.8
90	23.2
120	3.3
150	1.6
180	1.5



LUMINAIRE CLASSIFICATION SYSTEM (LCS)

	Lumens	% Lamp	% Luminaire
FL - Front-Low (0-30)	313.4	N.A.	11.8
FM - Front-Medium (30-60)	664.6	N.A.	25.0
FH - Front-High (60-80)	278.5	N.A.	10.5
FVH - Front-Very High (80-90)	34.6	N.A.	1.3
BL - Back-Low (0-30)	313.4	N.A.	11.8
BM - Back-Medium (30-60)	664.6	N.A.	25.0
BH - Back-High (60-80)	278.5	N.A.	10.5
BVH - Back-Very High (80-90)	34.6	N.A.	1.3
UL - Uplight-Low (90-100)	30.6	N.A.	1.2
UH - Uplight-High (100-180)	49.8	N.A.	1.9
Total	2662.6	N.A.	100.0
BUG Rating	B1-U2-G1		

Zonal Lumen Summary

Zone	Lumens	% Lamp	% Fixture
0-20	288.49	N.A.	10.80
0-30	626.72	N.A.	23.50
0-40	1054.16	N.A.	39.60
0-60	1955.93	N.A.	73.50
0-80	2512.89	N.A.	94.40
0-90	2582.00	N.A.	97.00
10-90	2508.77	N.A.	94.20
20-40	765.67	N.A.	28.80
20-50	1231.9	N.A.	46.30
40-70	1249.21	N.A.	46.90
60-80	556.96	N.A.	20.90
70-80	209.51	N.A.	7.90
80-90	69.11	N.A.	2.60
90-110	47.44	N.A.	1.80
90-120	73.99	N.A.	2.80
90-130	73.99	N.A.	2.80
90-150	78.97	N.A.	3.00
90-180	80.38	N.A.	3.00
110-180	32.93	N.A.	1.20
0-180	2662.36	N.A.	100.00

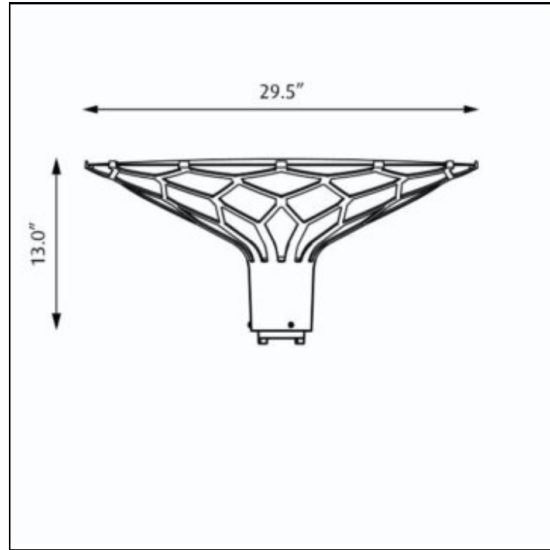
LP Nest

LP NEST-LED-DIM

PRODUCT SPECIFICATION

Product description

LP Nest



- Design** Bystrup Architects
- Concept** The fixture emits an indirect, soft and symmetrical light. Reflections in the "lattice" create an attractive play of light within the fixture.
- Finish** Natural painted aluminum or graphite grey, powder coated.
- Material** Top shade: Spun aluminum. Enclosure: Clear glass. Reflector: Anodized aluminum. Framework: Die cast aluminum.
- Mounting** Post top: Mounted on round straight aluminum (RSA) pole.
- Weight** Max. 18 lbs.
- Label** cULus, Wet Location, IBEW

Product Code	Light source	Voltage	Finish	Electric shock protection cl.	Options
LPNEST-PT	1/150W/CMH/T-6 G12	120-277V	GRAPH	NOT APPLICABLE	DIMMING
	1/70W/CMH/T-6 G12		NAT PAINT ALU	SURGE PROTECTOR	DYNADIMMER
	60W LED 3000K US				NOT APPLICABLE
	60W LED 4000K US				

- Specification notes**
- a. CMH variants provided with one 120-277V electronic ballast to be mounted in the pole.
 - b. LED variants provided with one 120-277V electronic driver to be mounted in the pole.
 - c. All LED wattages are system power.
 - d. Dimming option is only available for 150W and for LED variants.
 - e. Dynadimmer™ option is only available for 150W and for LED variants.
 - f. Dynadimmer™ provided with dimmable ballast (CMH variant) or dimmable driver (LED variant).

- Info notes**
- I. For pole selection, refer to Pole page.
 - II. The comparable EU version has the following classification: Ingress Protection Code: IP66.
 - III. LED technology is rapidly changing. Specifications are based on present technology. For most up to date specifications see www.louispoulsen.com
 - IV. Dynadimmer™ will be programmed at the factory. Programming information required from the customer is available in the specification sheets.
 - V. For wireless control option, please consult factory

LP Nest

LP NEST-LED-DIM

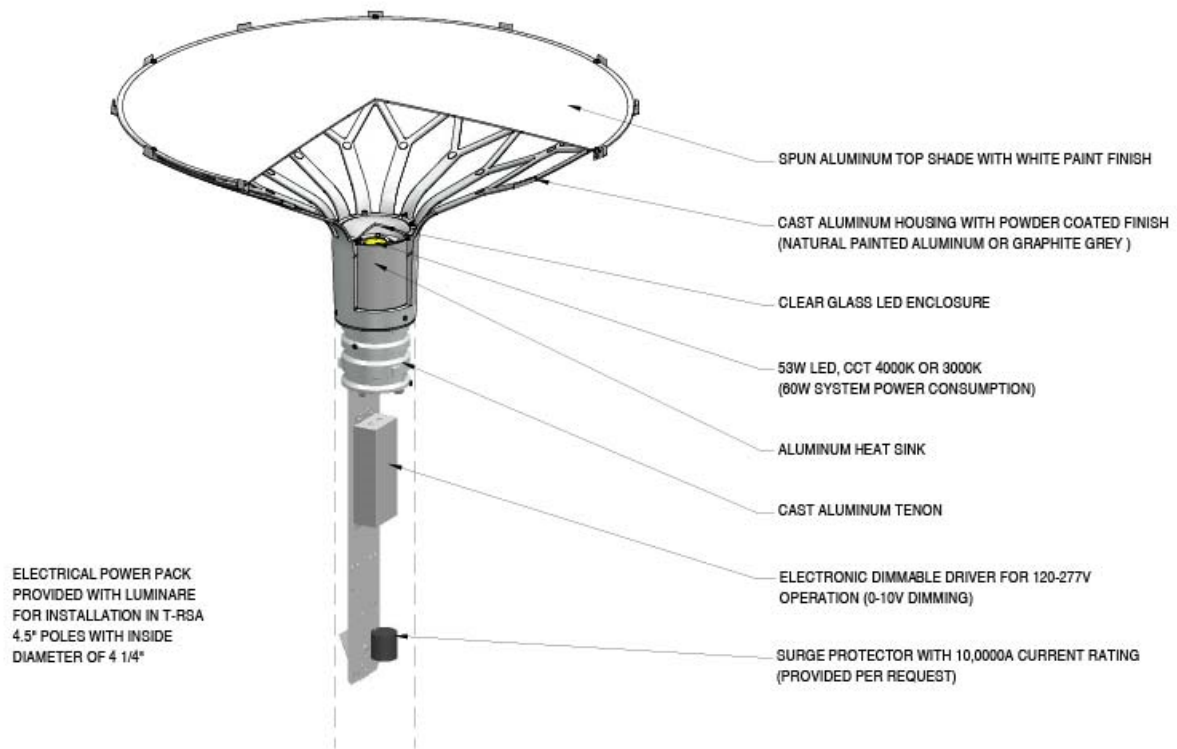
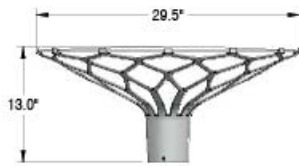
PRODUCT SPECIFICATION

Material description

NOTES:

LED TECHNOLOGY IS RAPIDLY CHANGING. LEDs ARE MADE IN LOTS AND SORTED INTO BINS BASED ON WAVELENGTHS RANGES THAT ACHIEVE COLORS. PRODUCTS ORDERED AT DIFFERENT TIMES MAY NOT HAVE THE SAME COLOR APPEARANCE.

WINDLOADING: EPA = 1.7 Sq. Ft.



LP Nest

LP NEST-LED-DIM

PRODUCT SPECIFICATION

Light Measurements

Photometric Report: LP NEST-60W-LED

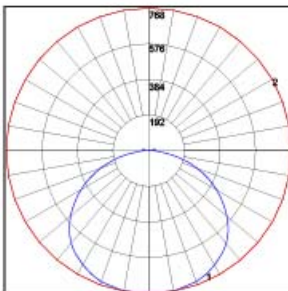
Report No: L7812A

Poulsen Report No: LP NEST-60W-LED

Luminaire: LP NEST

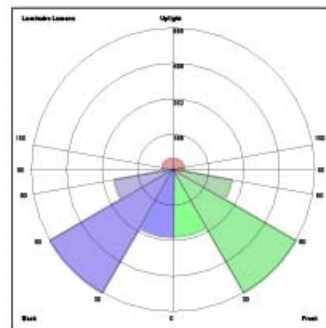
Lamp: 60W/LED/4000K

Description: All data shown are per 2662 lumens. This report can be used for calculation on all versions listed below. Use only actual lumen data calculating.



Candlepower Distribution

Vertical Angle	Candela
0	766.6
5	767.1
15	759.4
25	732.8
35	682.7
45	605.5
55	487.3
65	351.9
75	197.8
90	23.2
120	3.3
150	1.6
180	1.5



LUMINAIRE CLASSIFICATION SYSTEM (LCS)

	Lumens	% Lamp	% Luminaire
FL - Front-Low (0-30)	313.4	N.A.	11.8
FM - Front-Medium (30-60)	664.6	N.A.	25.0
FH - Front-High (60-80)	278.5	N.A.	10.5
FVH - Front-Very High (80-90)	34.6	N.A.	1.3
BL - Back-Low (0-30)	313.4	N.A.	11.8
BM - Back-Medium (30-60)	664.6	N.A.	25.0
BH - Back-High (60-80)	278.5	N.A.	10.5
BVH - Back-Very High (80-90)	34.6	N.A.	1.3
UL - Uplight-Low (90-100)	30.6	N.A.	1.2
UH - Uplight-High (100-180)	49.8	N.A.	1.9
Total	2662.6	N.A.	100.0
BUG Rating	B1-U2-G1		

Zonal Lumen Summary

Zone	Lumens	% Lamp	% Fixture
0-20	288.49	N.A.	10.80
0-30	626.72	N.A.	23.50
0-40	1054.16	N.A.	39.60
0-60	1955.93	N.A.	73.50
0-80	2512.89	N.A.	94.40
0-90	2582.00	N.A.	97.00
10-90	2508.77	N.A.	94.20
20-40	765.67	N.A.	28.80
20-50	1231.9	N.A.	46.30
40-70	1249.21	N.A.	46.90
60-80	556.96	N.A.	20.90
70-80	209.51	N.A.	7.90
80-90	69.11	N.A.	2.60
90-110	47.44	N.A.	1.80
90-120	73.99	N.A.	2.80
90-130	73.99	N.A.	2.80
90-150	78.97	N.A.	3.00
90-180	80.38	N.A.	3.00
110-180	32.93	N.A.	1.20
0-180	2662.36	N.A.	100.00

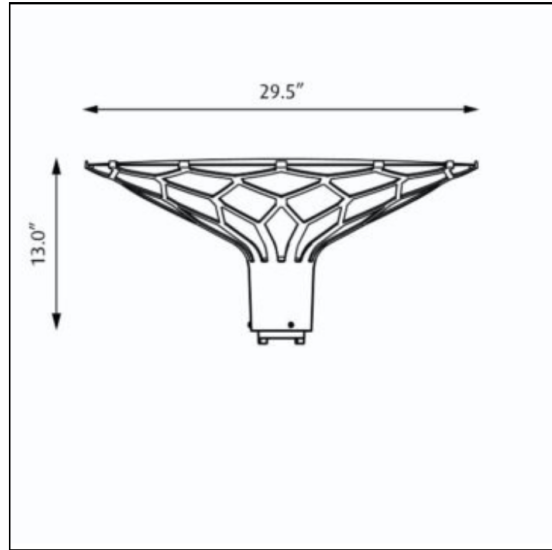
LP Nest

LP NEST-LED

PRODUCT SPECIFICATION

Product description

LP Nest



- Design** Bystrup Architects
- Concept** The fixture emits an indirect, soft and symmetrical light. Reflections in the "lattice" create an attractive play of light within the fixture.
- Finish** Natural painted aluminum or graphite grey, powder coated.
- Material** Top shade: Spun aluminum. Enclosure: Clear glass. Reflector: Anodized aluminum. Framework: Die cast aluminum.
- Mounting** Post top: Mounted on round straight aluminum (RSA) pole.
- Weight** Max. 18 lbs.
- Label** cULus, Wet Location, IBEW

Product Code	Light source	Voltage	Finish	Electric shock protection cl.	Options
LPNEST-PT	1/150W/CMH/T-6 G12	120-277V	GRAPH	NOT APPLICABLE	DIMMING
	1/70W/CMH/T-6 G12		NAT PAINT ALU	SURGE PROTECTOR	DYNADIMMER
	60W LED 3000K US				NOT APPLICABLE
	60W LED 4000K US				

- Specification notes**
- a. CMH variants provided with one 120-277V electronic ballast to be mounted in the pole.
 - b. LED variants provided with one 120-277V electronic driver to be mounted in the pole.
 - c. All LED wattages are system power.
 - d. Dimming option is only available for 150W and for LED variants.
 - e. Dynadimmer™ option is only available for 150W and for LED variants.
 - f. Dynadimmer™ provided with dimmable ballast (CMH variant) or dimmable driver (LED variant).

- Info notes**
- I. For pole selection, refer to Pole page.
 - II. The comparable EU version has the following classification: Ingress Protection Code: IP66.
 - III. LED technology is rapidly changing. Specifications are based on present technology. For most up to date specifications see www.louispoulsen.com
 - IV. Dynadimmer™ will be programmed at the factory. Programming information required from the customer is available in the specification sheets.
 - V. For wireless control option, please consult factory

LP Nest

LP NEST-LED

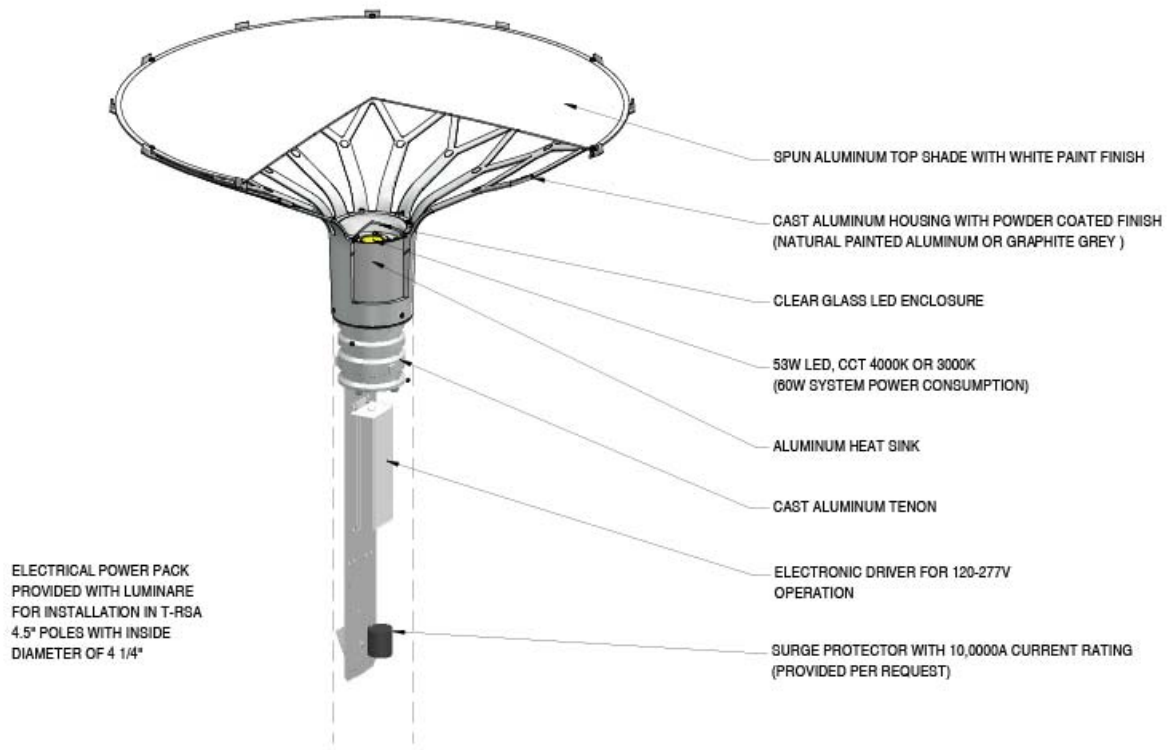
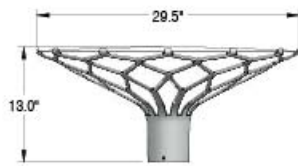
PRODUCT SPECIFICATION

Material description

NOTES:

LED TECHNOLOGY IS RAPIDLY CHANGING. LEDS ARE MADE IN LOTS AND SORTED INTO BINS BASED ON WAVELENGTHS RANGES THAT ACHIEVE COLORS. PRODUCTS ORDERED AT DIFFERENT TIMES MAY NOT HAVE THE SAME COLOR APPEARANCE.

WINDLOADING: EPA = 1.7 Sq. Ft.



LP Nest

LP NEST-LED

PRODUCT SPECIFICATION

Light Measurements

Photometric Report: LP NEST-60W-LED

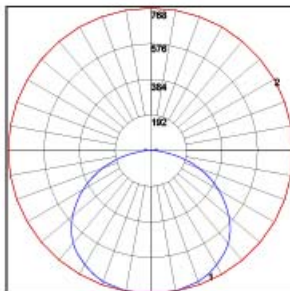
Report No: L7812A

Poulsen Report No: LP NEST-60W-LED

Luminaire: LP NEST

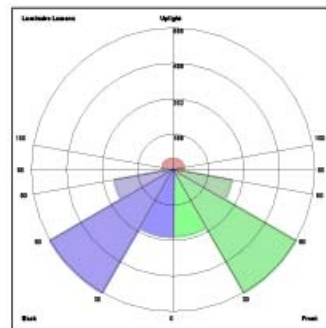
Lamp: 60W/LED/4000K

Description: All data shown are per 2662 lumens. This report can be used for calculation on all versions listed below. Use only actual lumen data calculating.



Candlepower Distribution

Vertical Angle	Candela
0	766.6
5	767.1
15	759.4
25	732.8
35	682.7
45	605.5
55	487.3
65	351.9
75	197.8
90	23.2
120	3.3
150	1.6
180	1.5



LUMINAIRE CLASSIFICATION SYSTEM (LCS)

	Lumens	% Lamp	% Luminaire
FL - Front-Low (0-30)	313.4	N.A.	11.8
FM - Front-Medium (30-60)	664.6	N.A.	25.0
FH - Front-High (60-80)	278.5	N.A.	10.5
FVH - Front-Very High (80-90)	34.6	N.A.	1.3
BL - Back-Low (0-30)	313.4	N.A.	11.8
BM - Back-Medium (30-60)	664.6	N.A.	25.0
BH - Back-High (60-80)	278.5	N.A.	10.5
BVH - Back-Very High (80-90)	34.6	N.A.	1.3
UL - Uplight-Low (90-100)	30.6	N.A.	1.2
UH - Uplight-High (100-180)	49.8	N.A.	1.9
Total	2662.6	N.A.	100.0
BUG Rating	B1-U2-G1		

Zonal Lumen Summary

Zone	Lumens	% Lamp	% Fixture
0-20	288.49	N.A.	10.80
0-30	626.72	N.A.	23.50
0-40	1054.16	N.A.	39.60
0-60	1955.93	N.A.	73.50
0-80	2512.89	N.A.	94.40
0-90	2582.00	N.A.	97.00
10-90	2508.77	N.A.	94.20
20-40	765.67	N.A.	28.80
20-50	1231.9	N.A.	46.30
40-70	1249.21	N.A.	46.90
60-80	556.96	N.A.	20.90
70-80	209.51	N.A.	7.90
80-90	69.11	N.A.	2.60
90-110	47.44	N.A.	1.80
90-120	73.99	N.A.	2.80
90-130	73.99	N.A.	2.80
90-150	78.97	N.A.	3.00
90-180	80.38	N.A.	3.00
110-180	32.93	N.A.	1.20
0-180	2662.36	N.A.	100.00

LP Nest

LP NEST-CMH-DYNA

PRODUCT SPECIFICATION

Product description

Weblink: 2549

Design: Bystrup Architects

Light Concept: The fixture emits an indirect, soft and symmetrical light. Reflections in the "lattice" create an attractive play of light within the fixture.

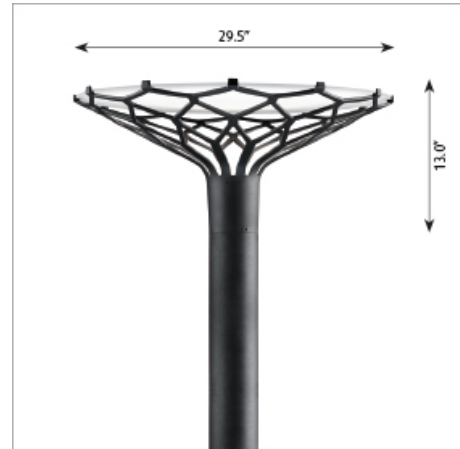
Finish: Natural painted aluminum or graphite grey, powder coated.

Material: Top shade: Spun aluminum. Enclosure: Clear glass. Reflector: Anodized aluminum. Framework: Die cast aluminum.

Mounting: Post top: Mounted on round straight aluminum (RSA) pole.

Weight: Max. 18 lbs.

Label: cULus, Wet Location. IBEW



Product code	Light source	Voltage	Finish	Electric shock protection cl.	Transition to pole	Options
LPNEST-PT	60W LED/3000K 60W LED/4000K 1/70W/CMH/T-6 G12 1/150W/CMH/T-6 G12	120-277V	GRAPH NAT PAINT ALU	SURGE PROTECTOR NOT APPLICABLE	T-RSA-4.5"	DYNADIMMER NOT APPLICABLE DIMMING

- a. CMH variants provided with one 120-277V electronic ballast to be mounted in the pole.
- b. LED variants provided with one 120-277V electronic driver to be mounted in the pole.
- c. All LED wattages are system power.
- d. Dimming option is only available for 150W and for LED variants.
- e. Dynadimmer™ option is only available for 150W and for LED variants.
- f. Dynadimmer™ provided with dimmable ballast (CMH variant) or dimmable driver (LED variant).

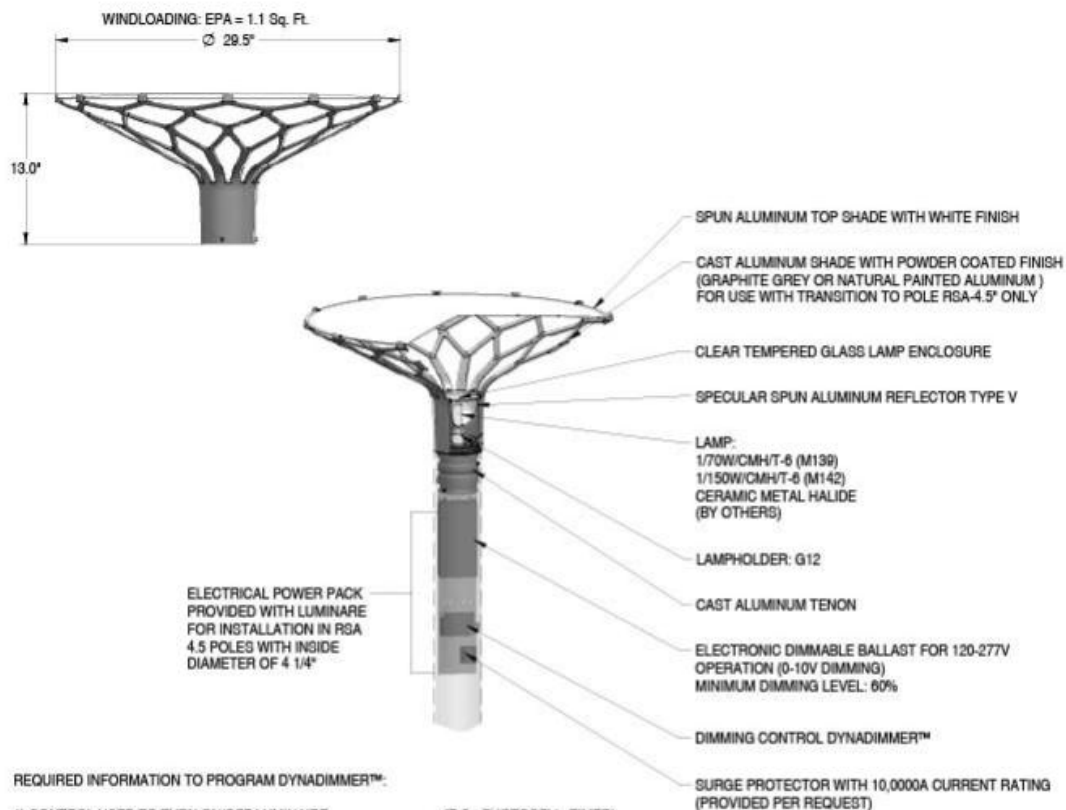
- I. For pole selection, refer to Pole page.
- II. The comparable EU version has the following classification: Ingress Protection Code: IP66.
- III. LED technology is rapidly changing. Specifications are based on present technology. For most up to date specifications see www.louispoulsen.com
- IV. Dynadimmer™ will be programmed at the factory. Programming information required from the customer is available in the specification sheets.
- V. For wireless control option, please consult factory

LP Nest

LP NEST-CMH-DYNA

PRODUCT SPECIFICATION

Material description



REQUIRED INFORMATION TO PROGRAM DYNADIMMER™:

- 1) CONTROL USED TO TURN ON/OFF LUMINAIRE: _____ (E.G., PHOTOCELL, TIMER)
- 2) LUMINAIRE LIGHT SOURCE: _____ (E.G., HID, LED)
- 3) SCHEDULED LUMINAIRE TIME ON: _____
- 4) SCHEDULED LUMINAIRE TIME OFF: _____

SCHEDULE FOR DYNADIMMER™ PROGRAMMING			
SETTING	START TIME	FINISH TIME	DIMMING LEVEL (%)
SETTING 1			
SETTING 2			
SETTING 3			
SETTING 4			

Notes:

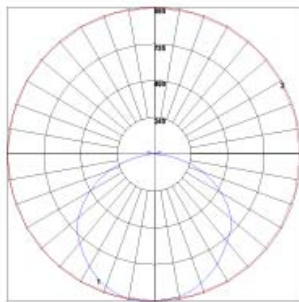
- Dynadimmer™ is a standalone dimming control that enables different light levels without the need of additional switching connections
- Dynadimmer™ will be programmed at the factory
- Dynadimmer™ does not have an integral real time clock. The time is based on the luminaire's on/off time and the programming. Controls such as timers and photocells are needed to turn on/off
- For proper performance of Dynadimmer™, luminaire needs to be on for a minimum of 4 hours and a maximum of 22 hours.
- Minimum duration of each setting is 15 minutes
- Dynadimmer™ will start working after the third day, the luminaire will work full power in the meantime.
- On and off luminaire times should not vary more than 1 hour from day to day to maintain schedule. Otherwise, Dynadimmer™ schedule will be automatically changed based on new on/off times and programming.

LP Nest

LP NEST-CMH-DYNA

PRODUCT SPECIFICATION

Light measurements



Photometric Report: LP-NEST-1-70W-CMH-T6-G12-TYPE V.IES
Report No.: L7207
Poulsen Report No.: LP-NEST-1-70W-CMH-T6-G12-TYPE V.IES
Luminaire: LP-NEST-1-70W-CMH-T6-G12-TYPE V
Lamp: 1/70W/CMH/T6/G12
Efficiency: 47%
Cutoff Classification: Cutoff
Description: All data shown are per 6278 lumens. This report can be used for calculation on all versions Use only actual lumen data when calculating.

Candlepower Distribution

Vertical Angle	Candela
0	907
5	900
10	886
25	803
40	699
55	550
70	316
85	58
90	6
120	2
150	1
180	0

Zonal Lumen Summary

Zone	Lumens	% Lamp	% Fixture
0-30	716.18	11.40	24.50
0-40	1193.39	19.00	40.80
0-60	2201.56	35.10	75.20
0-90	2872.41	45.70	98.10
90-120	47.50	0.80	1.60
90-130	49.67	0.80	1.70
90-150	53.18	0.80	1.80
90-180	54.34	0.90	1.90
0-180	2926.74	46.60	100.00

LP Nest

LP NEST-CMH-DIM

PRODUCT SPECIFICATION

Product description

Weblink: 2549

Design: Bystrup Architects

Light Concept: The fixture emits an indirect, soft and symmetrical light. Reflections in the "lattice" create an attractive play of light within the fixture.

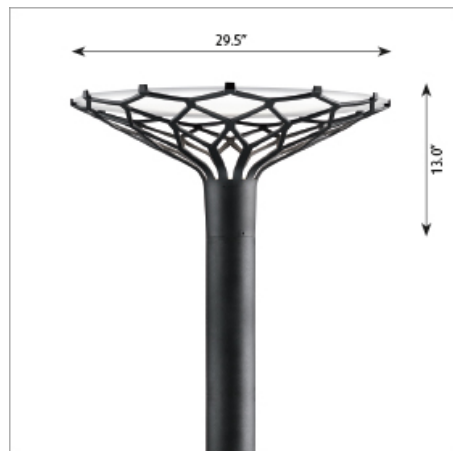
Finish: Natural painted aluminum or graphite grey, powder coated.

Material: Top shade: Spun aluminum. Enclosure: Clear glass. Reflector: Anodized aluminum. Framework: Die cast aluminum.

Mounting: Post top: Mounted on round straight aluminum (RSA) pole.

Weight: Max. 18 lbs.

Label: cULus, Wet Location. IBEW



Product code	Light source	Voltage	Finish	Electric shock protection cl.	Transition to pole	Options
LPNEST-PT	60W LED/3000K 60W LED/4000K 1/70W/CMH/T-6 G12 1/150W/CMH/T-6 G12	120-277V	GRAPH NAT PAINT ALU	SURGE PROTECTOR NOT APPLICABLE	T-RSA-4.5"	DYNADIMMER NOT APPLICABLE DIMMING

- a. CMH variants provided with one 120-277V electronic ballast to be mounted in the pole.
- b. LED variants provided with one 120-277V electronic driver to be mounted in the pole.
- c. All LED wattages are system power.
- d. Dimming option is only available for 150W and for LED variants.
- e. Dynadimmer™ option is only available for 150W and for LED variants.
- f. Dynadimmer™ provided with dimmable ballast (CMH variant) or dimmable driver (LED variant).

- I. For pole selection, refer to Pole page.
- II. The comparable EU version has the following classification: Ingress Protection Code: IP66.
- III. LED technology is rapidly changing. Specifications are based on present technology. For most up to date specifications see www.louispoulsen.com
- IV. Dynadimmer™ will be programmed at the factory. Programming information required from the customer is available in the specification sheets.
- V. For wireless control option, please consult factory

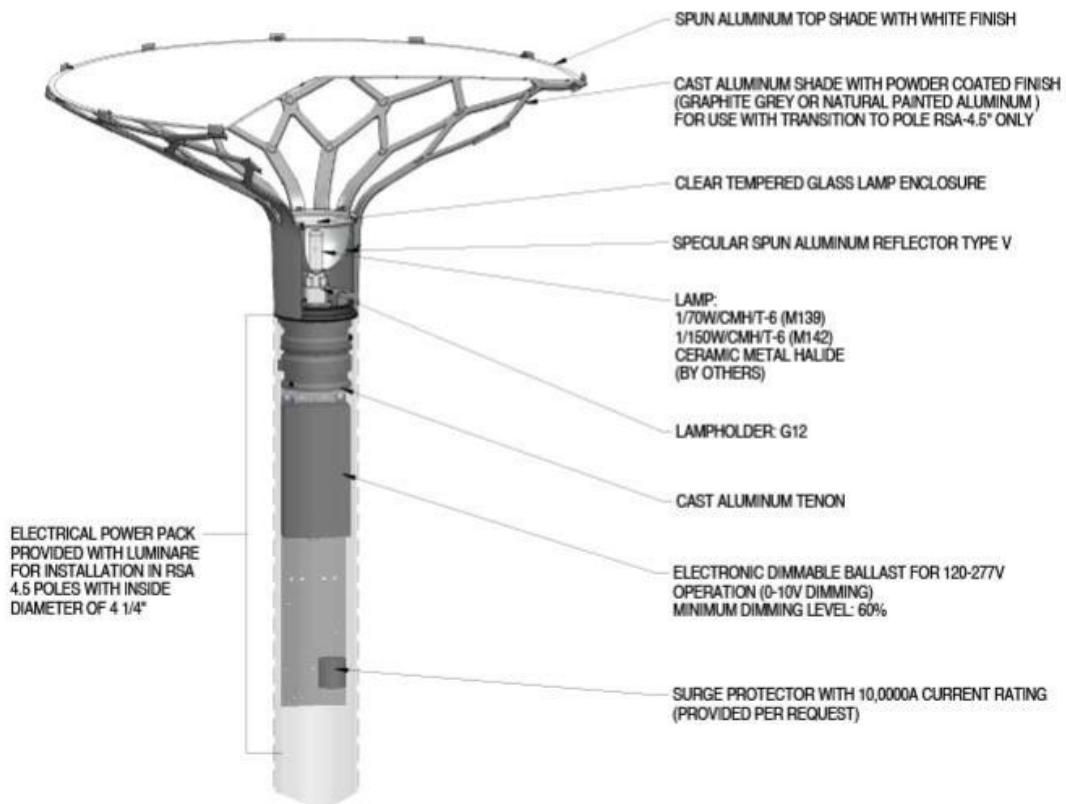
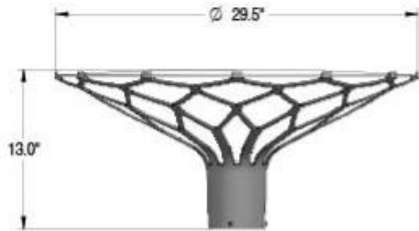
LP Nest

LP NEST-CMH-DIM

PRODUCT SPECIFICATION

Material description

WINDLOADING: EPA = 1.1 Sq. Ft.

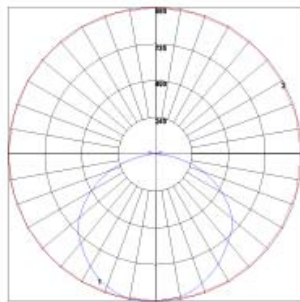


LP Nest

LP NEST-CMH-DIM

PRODUCT SPECIFICATION

Light measurements



Photometric Report: LP-NEST-1-70W-CMH-T6-G12-TYPE V.IES
 Report No.: L7207
 Poulsen Report No.: LP-NEST-1-70W-CMH-T6-G12-TYPE V.IES
 Luminaire: LP-NEST-1-70W-CMH-T6-G12-TYPE V
 Lamp: 1/70W/CMH/T6/G12
 Efficiency: 47%
 Cutoff Classification: Cutoff
 Description: All data shown are per 6278 lumens. This report can be used for calculation on all versions Use only actual lumen data when calculating.

Candlepower Distribution

Vertical Angle	Candela
0	907
5	900
10	886
25	803
40	699
55	550
70	316
85	58
90	6
120	2
150	1
180	0

Zonal Lumen Summary

Zone	Lumens	% Lamp	% Fixture
0-30	716.18	11.40	24.50
0-40	1193.39	19.00	40.80
0-60	2201.56	35.10	75.20
0-90	2872.41	45.70	98.10
90-120	47.50	0.80	1.60
90-130	49.67	0.80	1.70
90-150	53.18	0.80	1.80
90-180	54.34	0.90	1.90
0-180	2926.74	46.60	100.00

LP Nest

LP NEST-CMH

PRODUCT SPECIFICATION

Product description

Weblink: 2549

Design: Bystrup Architects

Light Concept: The fixture emits an indirect, soft and symmetrical light. Reflections in the "lattice" create an attractive play of light within the fixture.

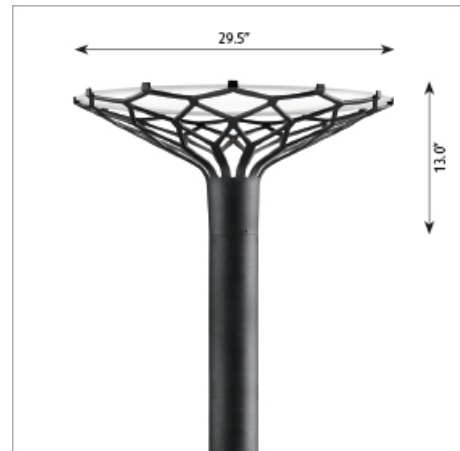
Finish: Natural painted aluminum or graphite grey, powder coated.

Material: Top shade: Spun aluminum. Enclosure: Clear glass. Reflector: Anodized aluminum. Framework: Die cast aluminum.

Mounting: Post top: Mounted on round straight aluminum (RSA) pole.

Weight: Max. 18 lbs.

Label: cULus, Wet Location. IBEW



Product code	Light source	Voltage	Finish	Electric shock protection cl.	Transition to pole	Options
LPNEST-PT	60W LED/3000K 60W LED/4000K 1/70W/CMH/T-6 G12 1/150W/CMH/T-6 G12	120-277V	GRAPH NAT PAINT ALU	SURGE PROTECTOR NOT APPLICABLE	T-RSA-4.5"	DYNADIMMER NOT APPLICABLE DIMMING

- a. CMH variants provided with one 120-277V electronic ballast to be mounted in the pole.
- b. LED variants provided with one 120-277V electronic driver to be mounted in the pole.
- c. All LED wattages are system power.
- d. Dimming option is only available for 150W and for LED variants.
- e. Dynadimmer™ option is only available for 150W and for LED variants.
- f. Dynadimmer™ provided with dimmable ballast (CMH variant) or dimmable driver (LED variant).

- I. For pole selection, refer to Pole page.
- II. The comparable EU version has the following classification: Ingress Protection Code: IP66.
- III. LED technology is rapidly changing. Specifications are based on present technology. For most up to date specifications see www.louispoulsen.com
- IV. Dynadimmer™ will be programmed at the factory. Programming information required from the customer is available in the specification sheets.
- V. For wireless control option, please consult factory

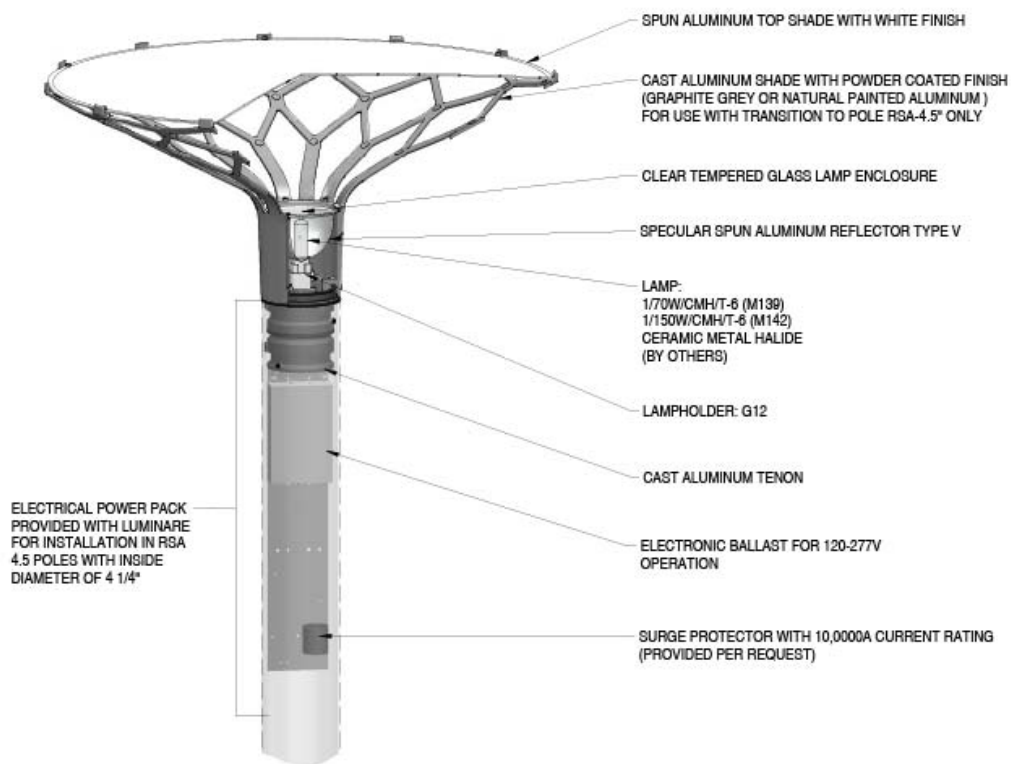
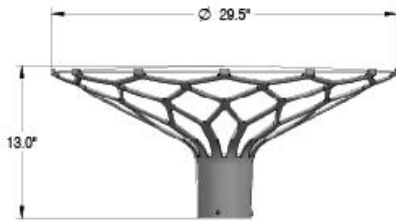
LP Nest

LP NEST-CMH

PRODUCT SPECIFICATION

Material description

WINDLOADING: EPA = 1.1 Sq. Ft.

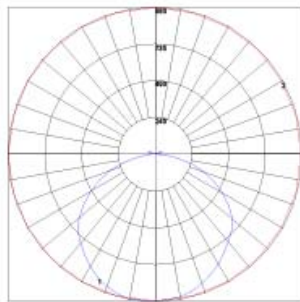


LP Nest

LP NEST-CMH

PRODUCT SPECIFICATION

Light measurements



Photometric Report: LP-NEST-1-70W-CMH-T6-G12-TYPE V.IES
Report No.: L7207
Poulsen Report No.: LP-NEST-1-70W-CMH-T6-G12-TYPE V.IES
Luminaire: LP-NEST-1-70W-CMH-T6-G12-TYPE V
Lamp: 1/70W/CMH/T6/G12
Efficiency: 47%
Cutoff Classification: Cutoff
Description: All data shown are per 6278 lumens. This report can be used for calculation on all versions Use only actual lumen data when calculating.

Candlepower Distribution

Vertical Angle	Candela
0	907
5	900
10	886
25	803
40	699
55	550
70	316
85	58
90	6
120	2
150	1
180	0

Zonal Lumen Summary

Zone	Lumens	% Lamp	% Fixture
0-30	716.18	11.40	24.50
0-40	1193.39	19.00	40.80
0-60	2201.56	35.10	75.20
0-90	2872.41	45.70	98.10
90-120	47.50	0.80	1.60
90-130	49.67	0.80	1.70
90-150	53.18	0.80	1.80
90-180	54.34	0.90	1.90
0-180	2926.74	46.60	100.00