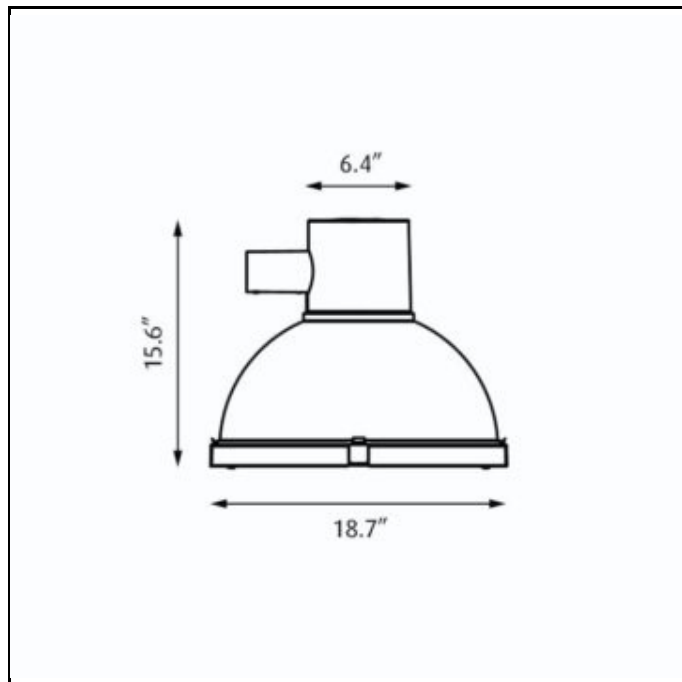


LP Icon Mini Post Top



Design Mads Ogdgård

Concept The fixture provides mainly direct downward illumination. In the opal version the shade is lit up from within and creates a soft diffuse upwards light. In the basic version the shade is opaque. Depending on the choice of reflector, the downward lighting characteristics will vary. The reflector types have been designed in three variations to provide either asymmetrical or symmetrical distributions of light.

Finish Natural painted aluminum, powder coated.

Material Cable compartment: Die cast aluminum. Hanging hardware: Stainless steel. Shade: Translucent injection moulded white opal acrylic or injection molded opaque ASA. Reflector: Pre-anodized segmented high reflectance aluminum (MH) or metallized spun aluminum (45W LED) or matte metallized plastic (57W LED). Bottom enclosure: Silk screened heat tempered glass. Housing: Die cast aluminum.

Mounting Post top: Mounted on davit (DAV), or straight (SRA) arm.

Weight Max. 27 lbs.

Label cULus, Wet location. IBEW.

Product Code	Light source	Voltage	Finish	Distribution/Trim	Reflector/Optics	Shade	Transition to pole
LPI-MIN-PT	1/100W/MH/ED-17 medium	120/208/240/277V	NAT PAINT ALU	T3	MATTE	BASIC	SRA/DAV
	1/150W/MH/ED-17 medium	120-277V		T5	POLISHED	OPAL	
	45W LED/3000K			T5SQ			
	45W LED/4000K						
	57W LED/3000K						
	57W LED/4000K						

Specification notes

- a. 150W variant provided with one 120/208/240/277V integral open core and coil ballast.
- b. 100W variant provided with one 120-277V integral electronic ballast.
- c. LED variants provided with one 120-277V integral electronic dimmable driver (0-10V).
- d. 45W LED variant only available with T5 distribution and polished reflector.
- e. 57W LED variant only available with T3 distribution and matte reflector.
- f. MH variants only available with T5 or T5SQ distribution and polished reflector.



LP Icon Mini Post Top

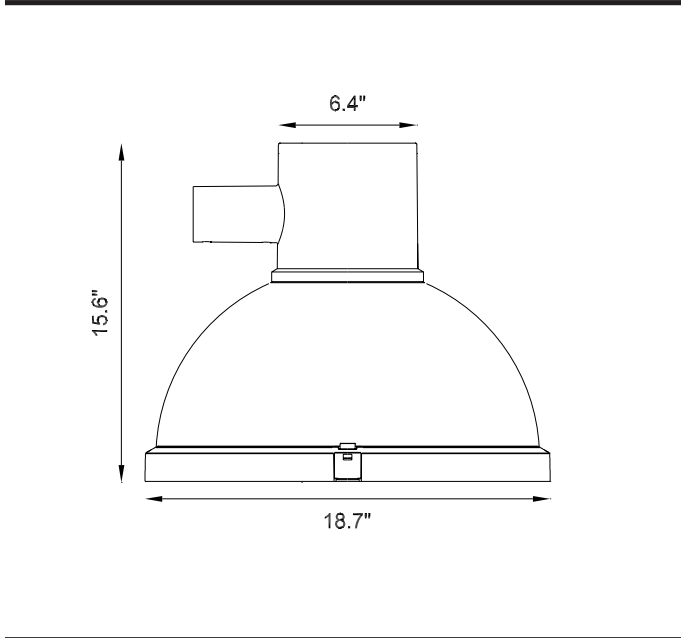
Design: Mads Odgaard

120/208/240/277V

Medium Base

27 lbs

cUL; Wet location



CONTENTS:

OR

Wipe off dust with a dry, soft cloth. Remove greasy spots etc. with a soft cloth dampened in lukewarm water with a mild detergent. Never use detergents containing alcohol. Scouring powder and similar substances will scratch surface

All installation is subject to local code and jurisdiction. Luminaire must be installed by a qualified electrician.

Light Source:

HID:

- 1/70W/HPS/ED-17/CL (S62)
- 1/100W/HPS/ED-17/CL (S54)
- 1/150W/HPS/ED-17/CL (S55)
- 1/70W/MH/ED-17/CL (M98/M143)
- 1/100W/MH/ED-17/CL (M90/M140)
- 1/150W/MH/ED-17/CL (M102/M142)

Headoffice
Denmark
Louis Poulsen Lighting A/S
Tel: +45 33 14 14 14
Fax: +45 33 14 60 62
www.louis-poulsen.dk

Export Division
Louis Poulsen Lighting A/S
Tel: +45 33 31 11 66
Fax: +45 33 29 86 46

France
Louis Poulsen & Cie
Tel: +33 1 49 59 68 68
Fax: +33 1 49 59 68 69
www.louis-poulsen.fr

Holland
Louis Poulsen B.V.
Tel: +31 23 5650030
Fax: +31 23 5652284
www.louis-poulsen.nl

Norway
Louis Poulsen & Co. A/S
Tel: +47 22 50 20 20
Fax: +47 22 52 47 05
www.louis-poulsen.no

Switzerland
Louis Poulsen AG
Tel: +41 1 733 70 40
Fax: +41 1 733 70 50
www.louis-poulsen.ch

USA
Louis Poulsen Lighting Inc.
Tel: +1 954-349-2525
Fax: +1 954-349-2550
www.louis-poulsen.com

Denmark
Frontdesk
Tel: +45 33 31 11 66
Fax: +45 33 29 86 45

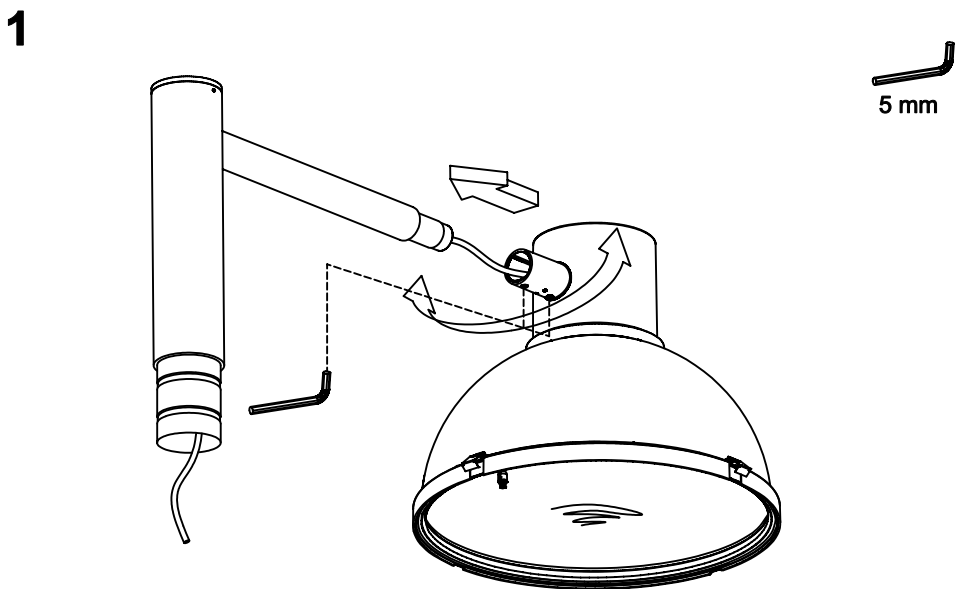
Finland
Louis Poulsen Oy
Tel: +358 9 6226 760
Fax: +358 9 6226 7650
www.louis-poulsen.fi

Germany
Louis Poulsen & Co. GmbH
Tel: +49 2103 940 0
Fax: +49 2103 940 290

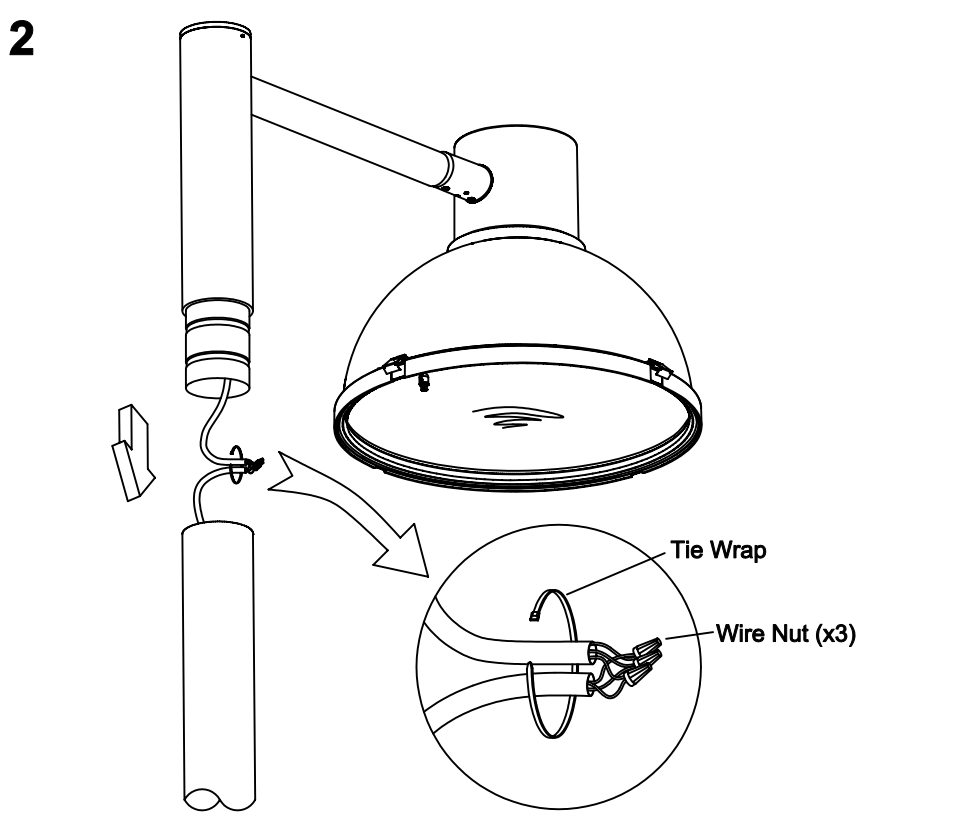
Japan
Louis Poulsen Japan KK
Tel: +81 3 3586 5341
Fax: +81 3 3586 0478

Sweden
Louis Poulsen & Co. AB
Tel: +46 8 446 48 00
Fax: +46 8 446 48 28
www.louis-poulsen.se

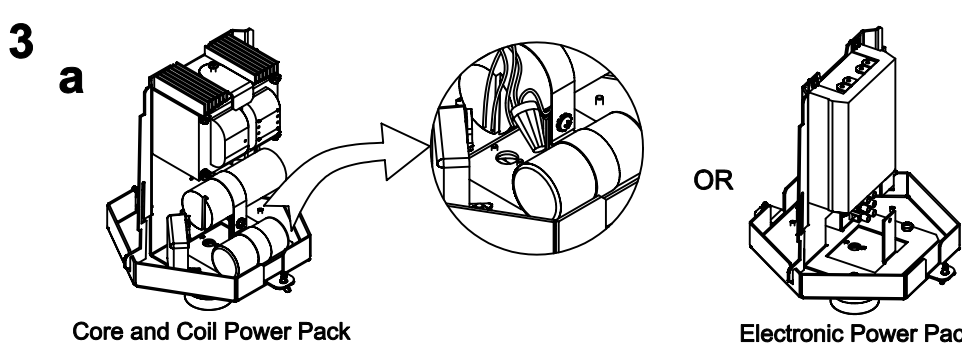
United Kingdom
Louis Poulsen UK Ltd.
Tel: +44 1372 848 800
Fax: +44 1372 848 801
www.louis-poulsen.co.uk



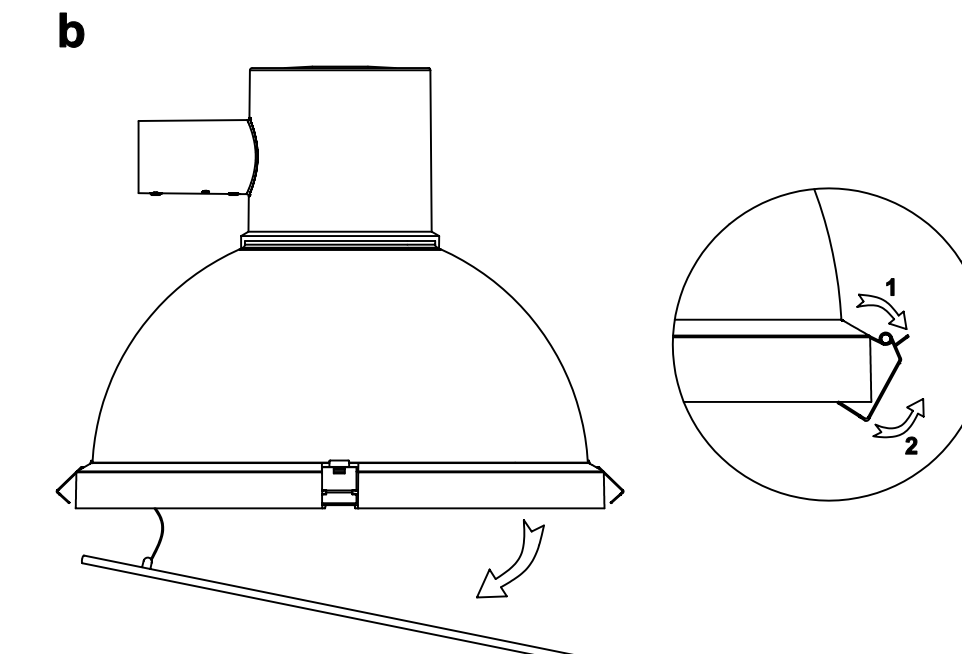
Feed wire provided through the posttop and slide luminaire over posttop. Level the luminaire so that the glass and the ground are parallel, then secure by tightening two hex set screws on the luminaire head as shown.



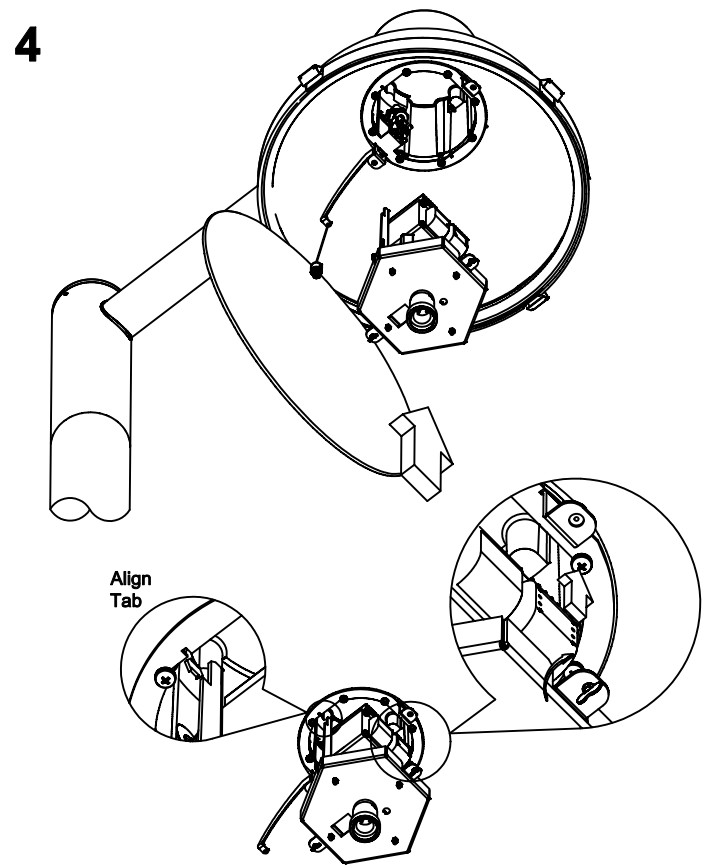
Ensure that the power is turned off and wire the luminaire: White to Common, Black to Line and Green to Ground.



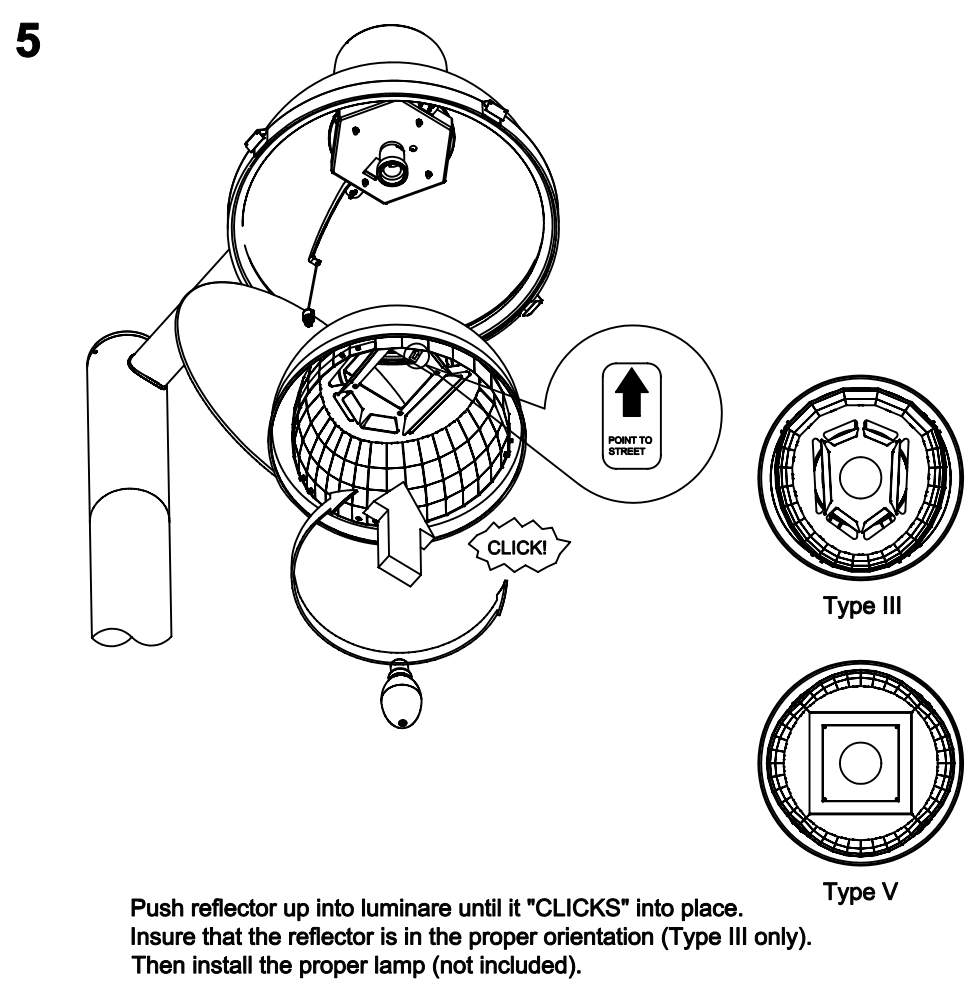
Power Pack is pre wired for 277 Volts. To choose voltage disconnect orange wire nut from the jumper from terminal block and the 277V line from ballast. Using the orange wire nut connect the jumper to the ballast voltage line needed. Voltage will be labeled on the wire: 120, 208, 240 or 277V.



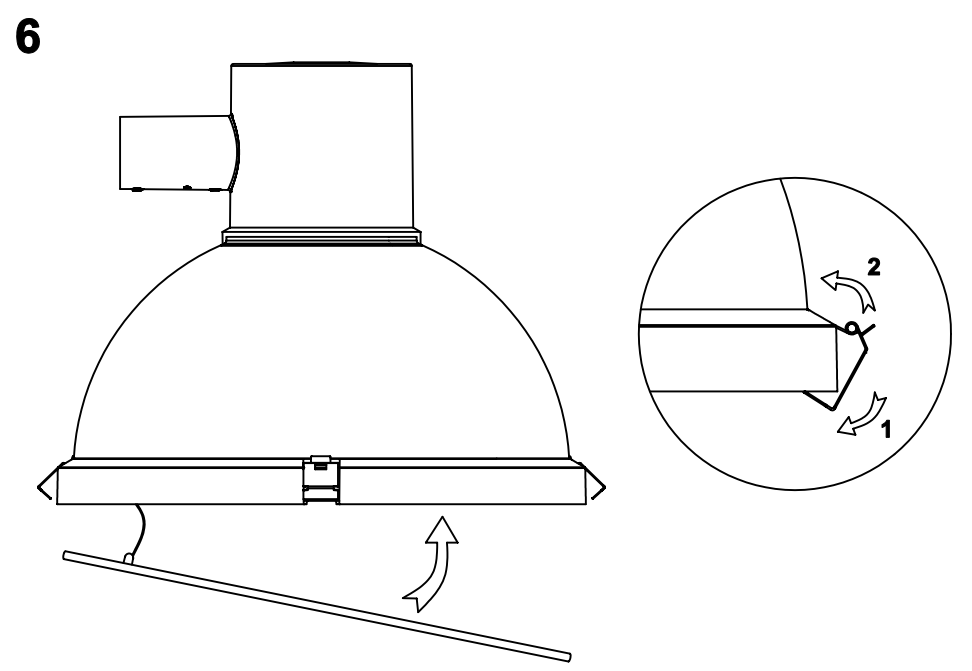
Open luminaire by unlatching four mounting clips and lowering the glass. First pull down on the top of the clip and then swing the bottom of the clip upward as shown. NO TOOLS NEEDED.



Align quick plugs, slide power pack into place and turn mounting tabs one quarter turn to secure. All electrical connections are made.



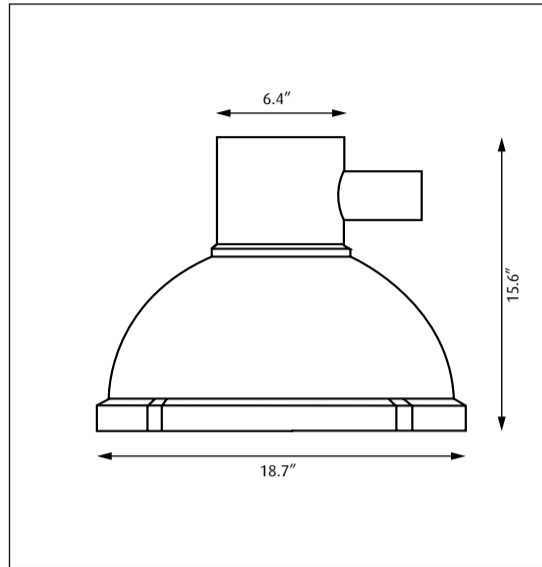
Push reflector up into luminaire until it "CLICKS" into place. Insure that the reflector is in the proper orientation (Type III only). Then install the proper lamp (not included).



Place glass back into place and secure it using four mounting clips.

Icon mini LED Asymmetric Post mounting

Design Jens Møller-Jensen



59026-11

Light source	Voltage	Weight	Electric shock protection	Ingress protection
LED	120-277V	18.3 Lbs	Cl. I	IP 66, wet location

Recommended cleaning substances:

Wipe off dust with a dry, soft cloth. Remove greasy spots etc. with a soft cloth dampened in lukewarm water (<122° F/ 50° C) with a mild detergent.

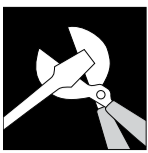
Warning: Scouring powder and similar substances will scratch surfaces.

All installation is subject to local code and jurisdiction.

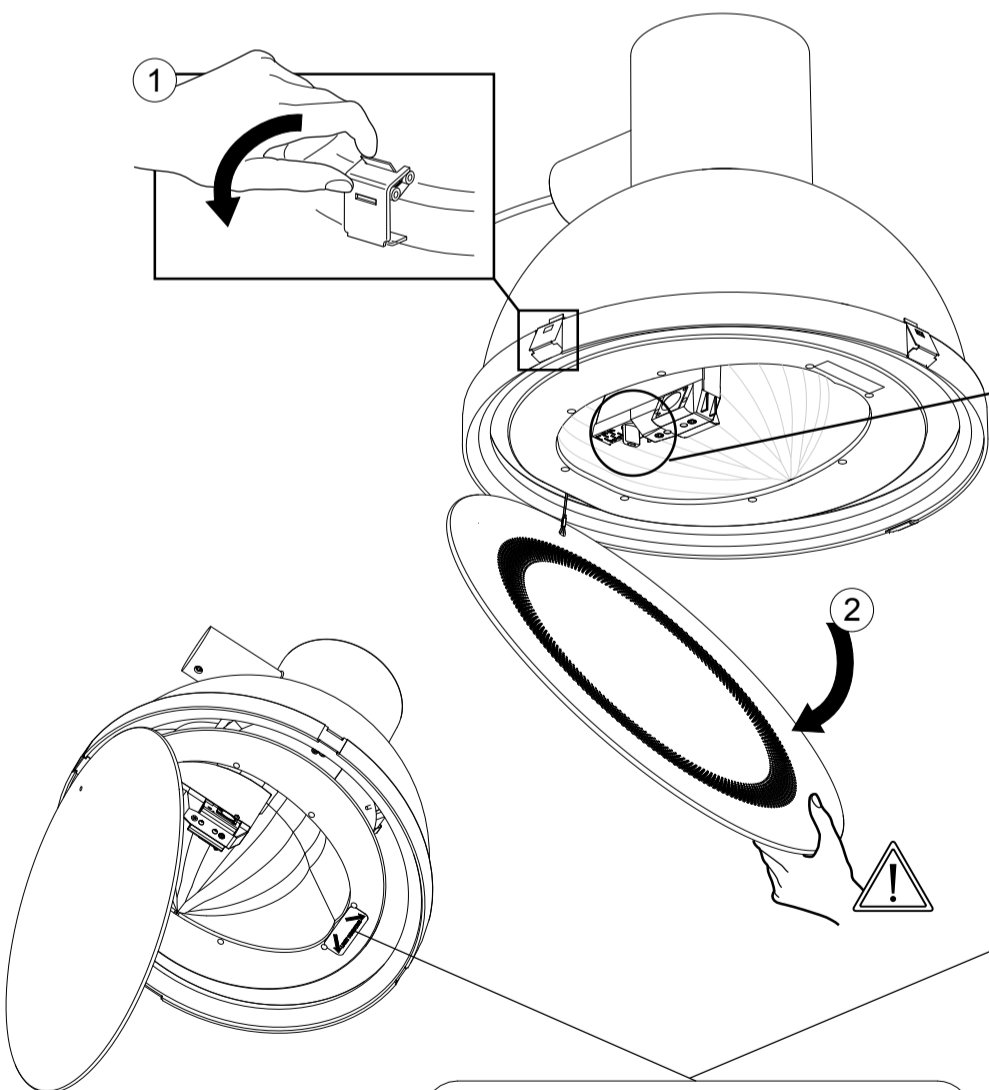
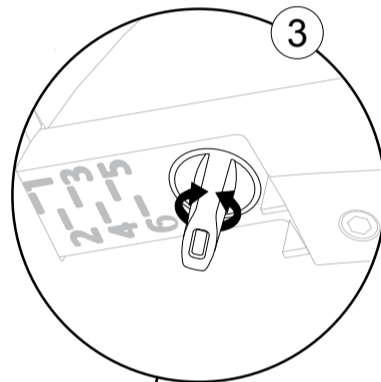
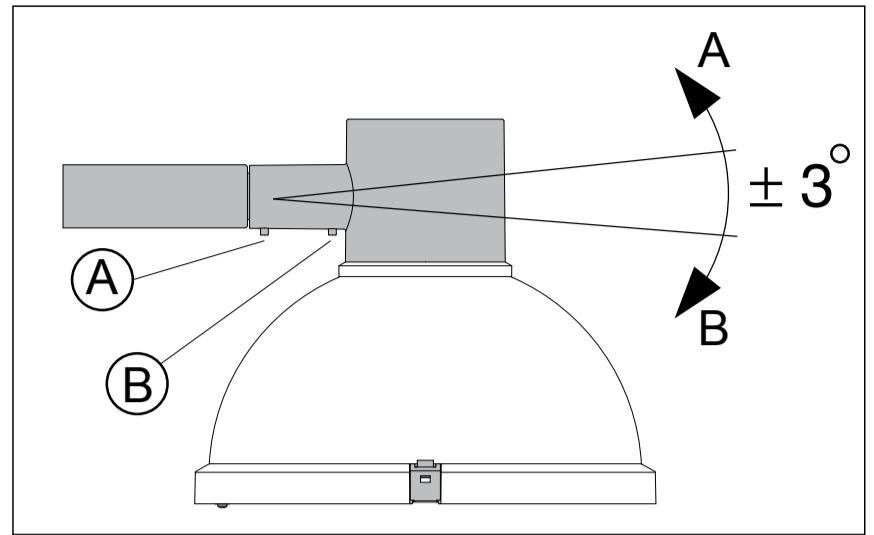
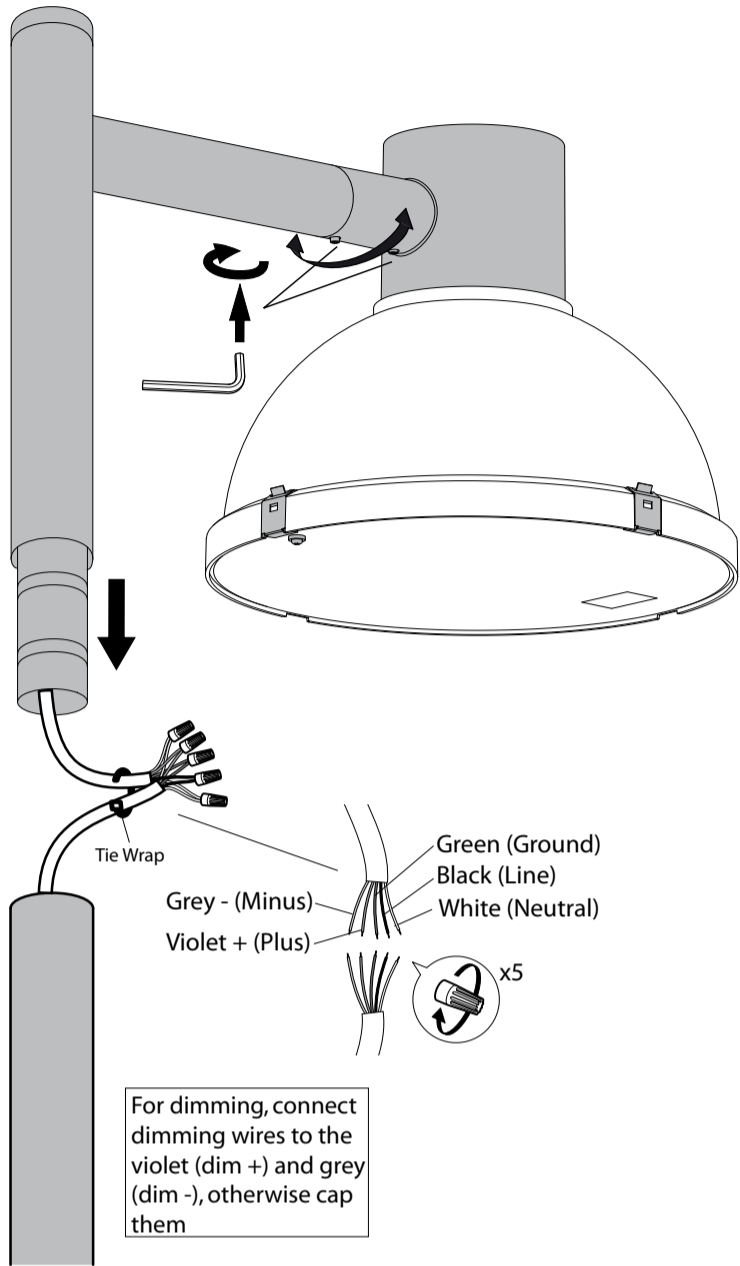
Consult a qualified electrician to ensure correct branch circuit conductor.

The installer must ensure that the foundation is stable and can support the luminaire's weight.

The installer must use proper means to secure the luminaire to the ground.

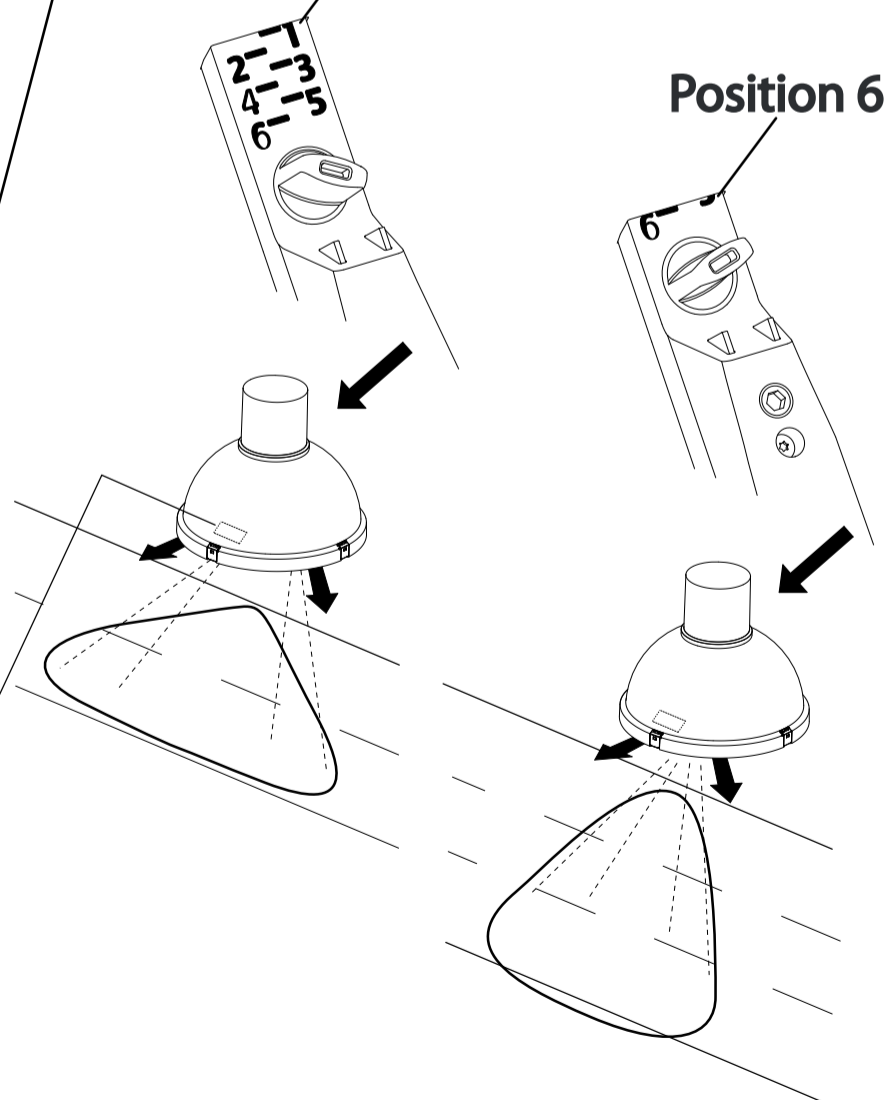


4 mm



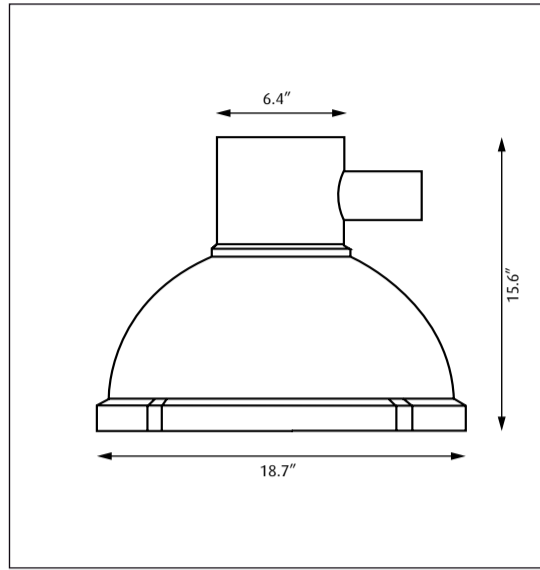
Position 1

Position 6



Icon mini LED Symmetric Post mounting

Design Jens Møller-Jensen



59012-11

Light source	Voltage	Weight	Electric shock protection	Ingress protection
LED	120-277V	20.5 Lbs	Cl. I	IP 66, wet location

Recommended cleaning substances:

Wipe off dust with a dry, soft cloth. Remove greasy spots etc. with a soft cloth dampened in lukewarm water (<122° F/ 50° C) with a mild detergent.

Warning: Scouring powder and similar substances will scratch surfaces.

All installation is subject to local code and jurisdiction.

Consult a qualified electrician to ensure correct branch circuit conductor.

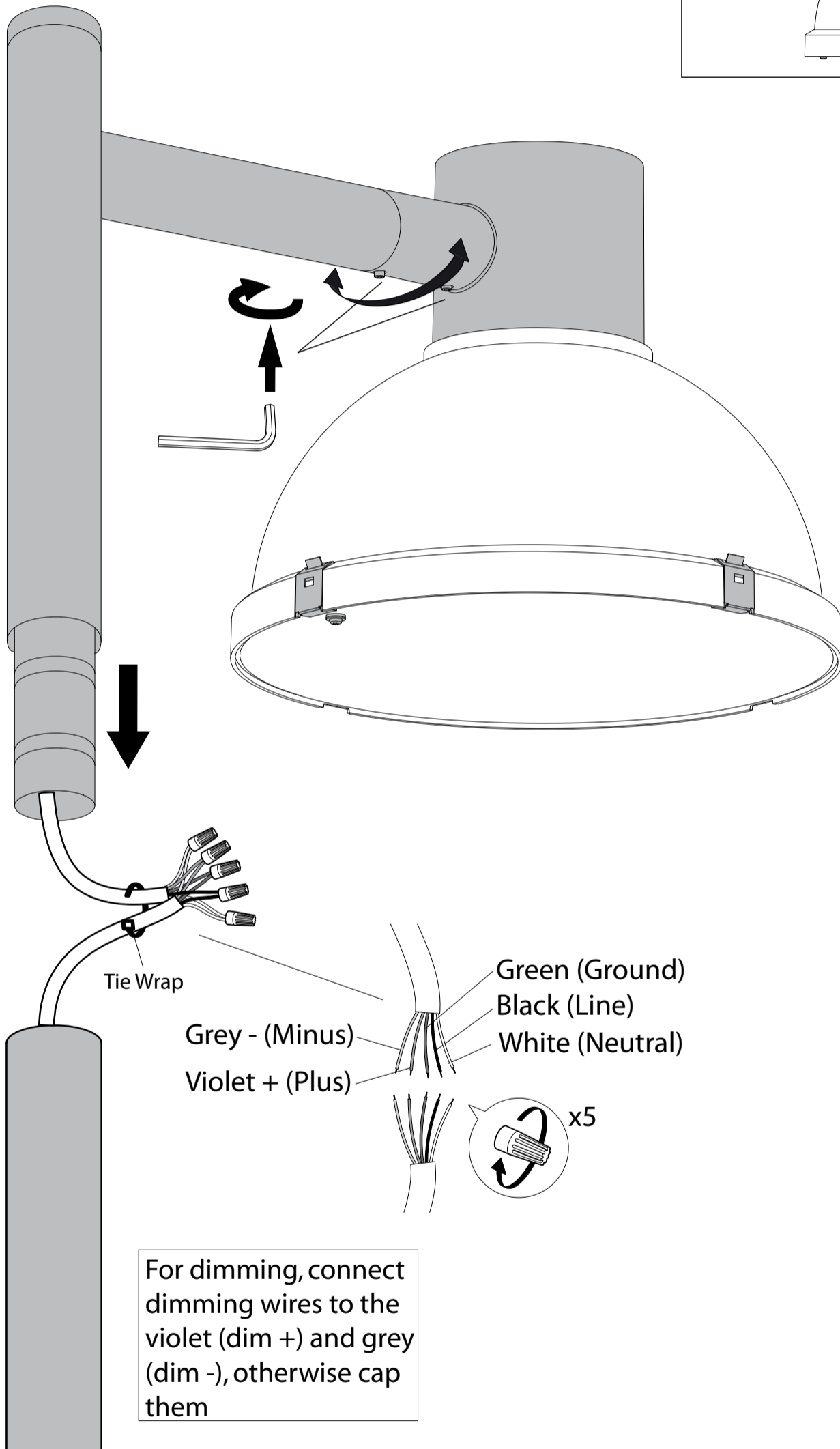
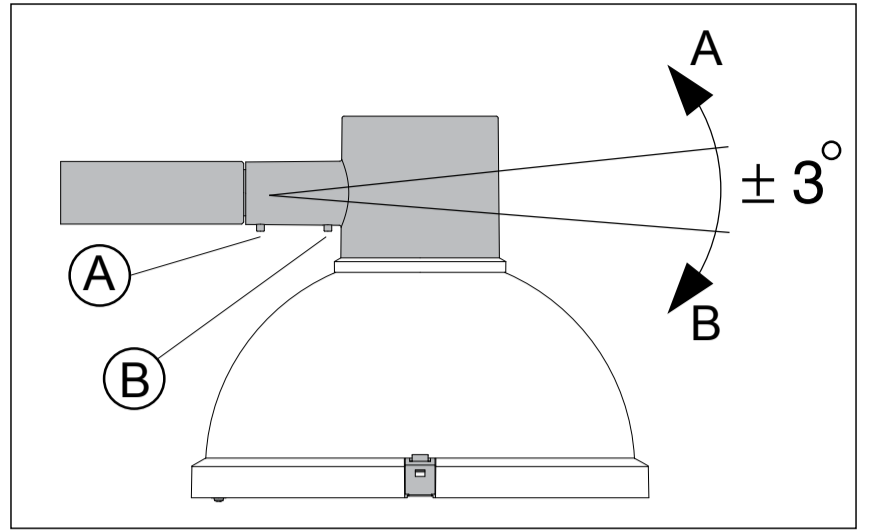
The installer must ensure that the foundation is stable and can support the luminaire's weight.

The installer must use proper means to secure the luminaire to the ground.



4 mm

59012-I1



LP Icon Mini Post Top

LPI-MIN-PT-OPAL

PRODUCT SPECIFICATION

Product description

Weblink: 202

Design: Mads Odgård

Light Concept: The fixture provides mainly direct downward illumination. In the opal version the shade is lit up from within and creates a soft diffuse upwards light. In the basic version the shade is opaque. Depending on the choice of reflector, the downward lighting characteristics will vary. The reflector types have been designed in three variations to provide either asymmetrical or symmetrical distributions of light.

Finish: Charcoal grey or natural painted aluminum, powder coated.

Material: Shade: Translucent injection moulded white opal acrylic or injection molded opaque ASA. Reflector: Pre-anodized segmented high reflectance aluminum. Bottom enclosure: Silk screened heat tempered glass. Housing: Die cast aluminum.

Mounting: Post top: Mounted on davit (DAV), or straight (SRA) arm.

Weight: Max. 27 lbs.

Label: cULus, Wet location. IBEW.



Product code	Light source	Voltage	Finish	Distribution/Trim	Shade	Transition to pole
LPI-MIN-PT	1/100W/MH/ED-17 medium 1/150W/MH/ED-17 medium	120/208/240/277V 120-277V	CHAR GREY NAT PAINT ALU	T3 T5 T5SQ	BASIC OPAL	SRA/DAV

- a. 150W variant provided with one 120/208/240/277V integral open core and coil ballast.
- b. 100W variant provided with one 120-277V integral electronic ballast.

- I. Opal shade is impact resistant acrylic.
- II. Basic shade is impact resistant ASA.
- III. For pole selection, refer to Pole page.
- IV. The comparable EU version has the following classification: Ingress Protection Code: IP66.

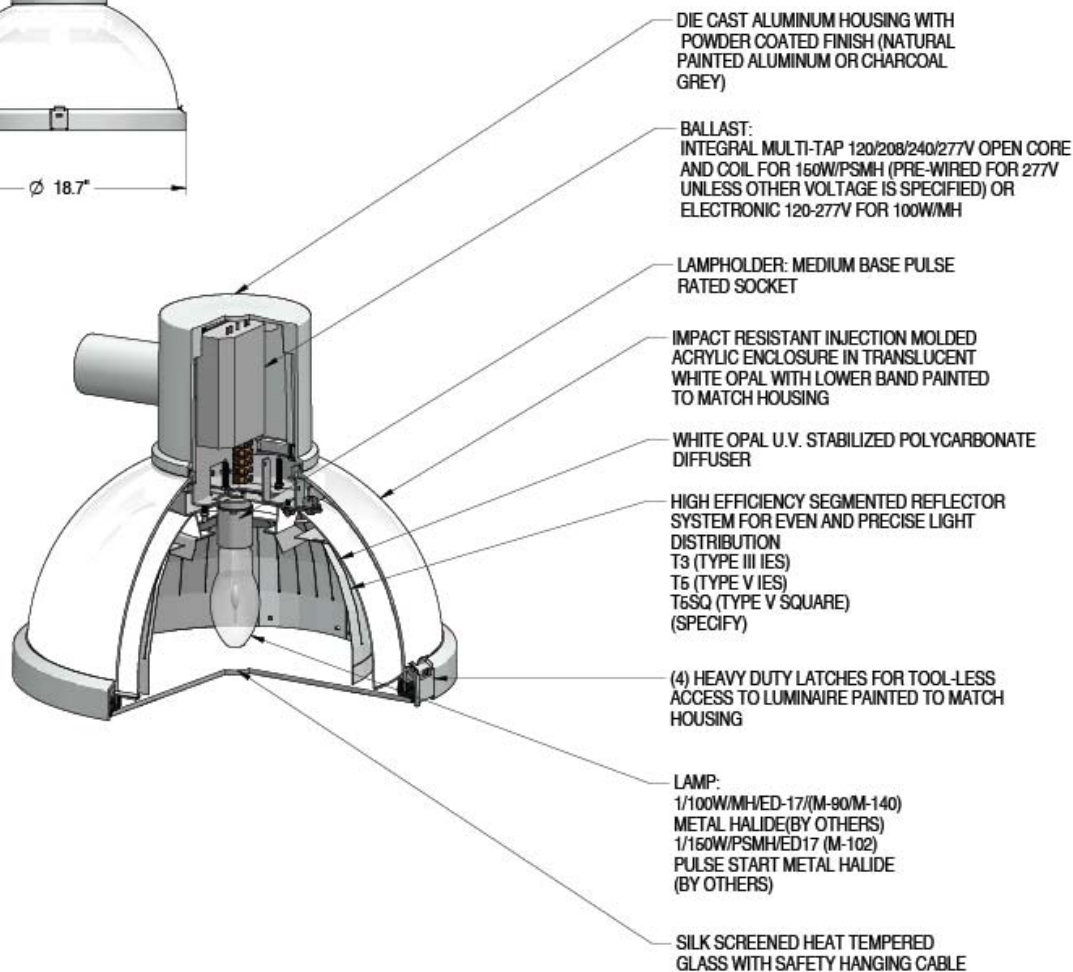
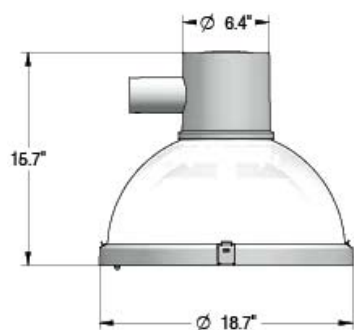
LP Icon Mini Post Top

LPI-MIN-PT-OPAL

PRODUCT SPECIFICATION

Material description

WINDLOADING: EPA= 1.3 Sq. Ft.

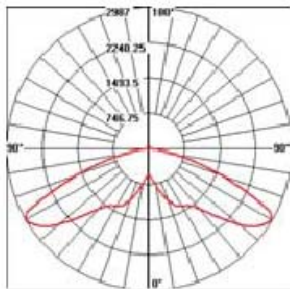


LP Icon Mini Post Top

LPI-MIN-PT-OPAL

PRODUCT SPECIFICATION

Light measurements



Photometric Report: LPI-MIN-BASIC-T5-1-150W-MH.IES
 Report No.: ITL53417
 Poulsen Report No.: LPI-MIN-BASIC-T5-1-150W-MH.IES
 Luminaire: LPI-MIN-BASIC-T5
 Lamp: 1/150W/MH
 Efficiency: 75.6%
 Cutoff Classification: Full Cutoff, Type V
 Description: All data shown are per 12500 lumens. This report can be used for calculation on all versions listed below. Use only actual lumen data when calculating.

Candlepower Distribution

Vertical Angle	Candela
0	548
10	746
20	1157
30	1400
35	1449
45	2006
55	2824
65	2467
75	900
90	0
125	0
155	0
180	0

Zonal Lumen Summary

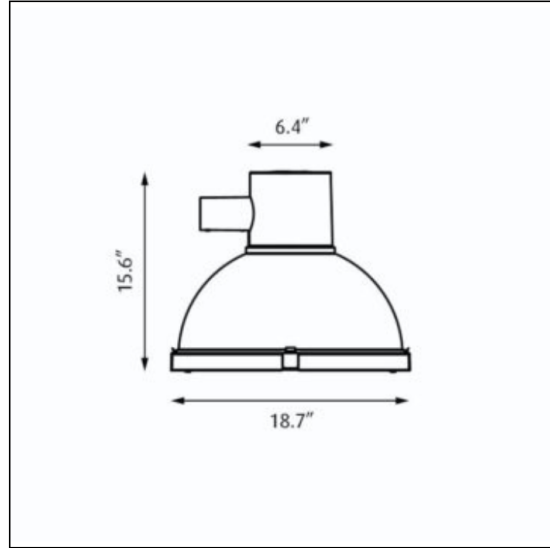
Zone	Lumens	% Lamp	% Fixture
0-30	936	7.5	9.8
0-40	1875	15	19.6
0-60	5967	47.7	62.5
0-90	9554	75.6	100.0
90-120	0	0	0
90-130	0	0	0
90-150	0	0	0
90-180	0	0	0
0-180	9554	75.6	100.0

LP Icon Mini Post Top

LPI-MIN-PT-BSC

PRODUCT SPECIFICATION

Product description



Design Mads Odgård

Concept The fixture provides mainly direct downward illumination. In the opal version the shade is lit up from within and creates a soft diffuse upwards light. In the basic version the shade is opaque. Depending on the choice of reflector, the downward lighting characteristics will vary. The reflector types have been designed in three variations to provide either asymmetrical or symmetrical distributions of light.

Finish Charcoal grey or natural painted aluminum, powder coated.

Material Shade: Translucent injection moulded white opal acrylic or injection molded opaque ASA. Reflector: Pre-anodized segmented high reflectance aluminum. Bottom enclosure: Silk screened heat tempered glass. Housing: Die cast aluminum.

Mounting Post top: Mounted on davit (DAV), or straight (SRA) arm.

Weight Max. 27 lbs.

Label cULus, Wet location. IBEW.

Product Code	Light source	Voltage	Finish	Distribution/Trim	Reflector/Optics	Shade
LPI-MIN-PT	1/100W/MH/ED-17 medium	120/208/240/277V	GRAPH	T3	MATTE	BASIC
	1/150W/MH/ED-17 medium	120-277V	NAT PAINT ALU	T5	NOT APPLICABLE	OPAL
	45W LED/3000K			T5SQ	POLISHED	Same colour as Frame
	45W LED/4000K					
	57W LED/3000K					
	57W LED/4000K					

Specification notes

- a. 150W variant provided with one 120/208/240/277V integral open core and coil ballast.
- b. 100W variant provided with one 120-277V integral electronic ballast.
- c. LED variants provided with one 120-277V integral electronic dimmable driver (0-10V).
- d. LED variant only available with T5 distribution.
- e. LED variant only available with Natural Painted Aluminum finish.

Info notes

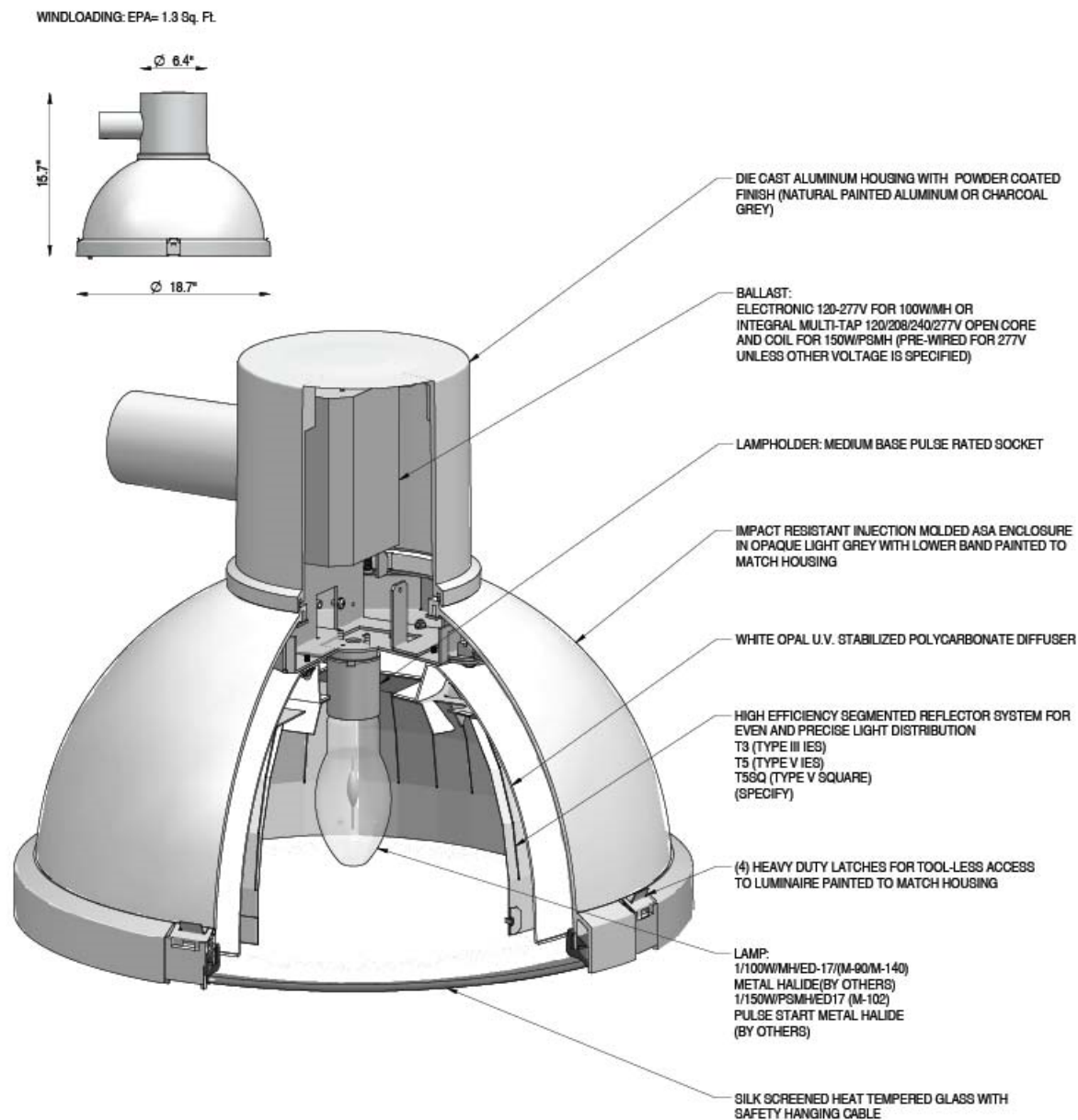
- I. For pole selection, refer to Pole page.
- II. LED technology is rapidly changing. Specifications are based on present technology. For most up to date specifications see www.louispoulsen.com.
- III. The comparable EU version has the following classification: Ingress Protection Code: IP66.

LP Icon Mini Post Top

LPI-MIN-PT-BSC

PRODUCT SPECIFICATION

Material description



LP Icon Mini Post Top

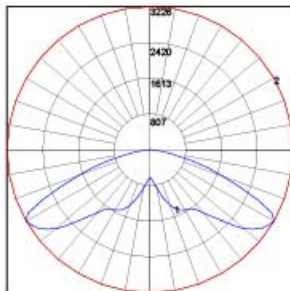
LPI-MIN-PT-BSC

PRODUCT SPECIFICATION

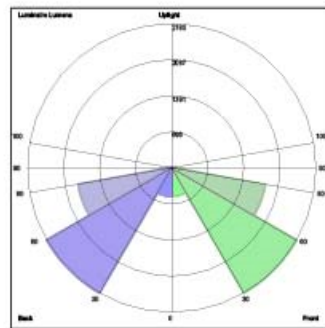
Light Measurements

Photometric Report: LPI-MIN-PT_1_150W_MH_ED17_T5_BASIC
 Report No.: ITL56872
 Poulsen Report No.: LPI-MIN-PT_1_150W_MH_ED17_T5_BASIC
 Luminaire: LPI-MIN-PT
 Lamp: 150W/MH
 Efficiency: 75%

Description: All data shown are per 1400 lumens. This report can be used for calculation on all versions listed below. Use only actual lumen data calculating.



Vertical Angle	Candela
0	633
5	718
15	1120
25	1488
35	1823
45	2257
55	3084
65	2875
75	1005
90	0



Zone	Lumens	% Lamp	% Fixture
0-20	397.15	2.80	3.80
0-30	1083.98	7.70	10.40
0-40	2128.82	15.20	20.40
0-60	6649.21	47.50	63.60
0-80	10311.19	73.70	98.70
0-90	10446.61	74.60	100.00
10-90	10372.56	74.10	99.30
20-40	1731.67	12.40	16.60
20-50	3511.75	25.10	33.60
40-70	7105.96	50.80	68.00
60-80	3661.98	26.20	35.10
70-80	1076.41	7.70	10.30
80-90	135.42	1.00	1.30
90-110	0.00	0.00	0.00
90-120	0.00	0.00	0.00
90-130	0.00	0.00	0.00
90-150	0.00	0.00	0.00
90-180	0.00	0.00	0.00
110-180	0.00	0.00	0.00
0-180	10446.61	74.60	100.00

LUMINAIRE CLASSIFICATION SYSTEM (LCS)

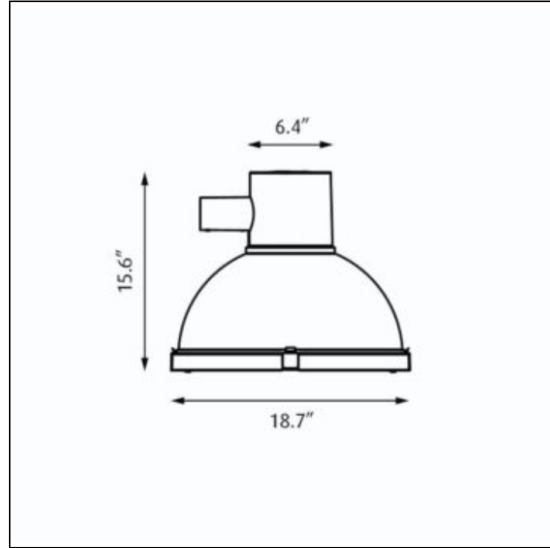
	Lumens	% Lamp	% Luminaire
FL - Front-Low (0-30)	542.0	3.9	5.2
FM - Front-Medium (30-60)	2782.6	19.9	28.6
FH - Front-High (60-80)	1831.0	13.1	17.5
FVH - Front-Very High (80-90)	67.7	0.5	0.6
BL - Back-Low (0-30)	542.0	3.9	5.2
BM - Back-Medium (30-60)	2782.6	19.9	28.6
BH - Back-High (60-80)	1831.0	13.1	17.5
BVH - Back-Very High (80-90)	67.7	0.5	0.6
UL - Uplight-Low (90-100)	0.0	0.0	0.0
UH - Uplight-High (100-180)	0.0	0.0	0.0
Total	10446.6	74.8	100.0
BUG Rating	B3-U0-G2		

LP Icon Mini Post Top

LPI-MIN-PT-57W LED-OPAL

PRODUCT SPECIFICATION

Product description



Design Mads Odgård

Concept The fixture provides mainly direct downward illumination. In the opal version the shade is lit up from within and creates a soft diffuse upwards light. In the basic version the shade is opaque. Depending on the choice of reflector, the downward lighting characteristics will vary. The reflector types have been designed in three variations to provide either asymmetrical or symmetrical distributions of light.

Finish Charcoal grey or natural painted aluminum, powder coated.

Material Shade: Translucent injection moulded white opal acrylic or injection molded opaque ASA. Reflector: Pre-anodized segmented high reflectance aluminum. Bottom enclosure: Silk screened heat tempered glass. Housing: Die cast aluminum.

Mounting Post top: Mounted on davit (DAV), or straight (SRA) arm.

Weight Max. 27 lbs.

Label cULus, Wet location. IBEW.

Product Code	Light source	Voltage	Finish	Distribution/Trim	Reflector/Optics	Shade
LPI-MIN-PT	1/100W/MH/ED-17 medium	120/208/240/277V	GRAPH	T3	MATTE	BASIC
	1/150W/MH/ED-17 medium	120-277V	NAT PAINT ALU	T5	NOT APPLICABLE	OPAL
	45W LED/3000K			T5SQ	POLISHED	Same colour as Frame
	45W LED/4000K					
	57W LED/3000K					
	57W LED/4000K					

Specification notes

- a. 150W variant provided with one 120/208/240/277V integral open core and coil ballast.
- b. 100W variant provided with one 120-277V integral electronic ballast.
- c. LED variants provided with one 120-277V integral electronic dimmable driver (0-10V).
- d. LED variant only available with T5 distribution.
- e. LED variant only available with Natural Painted Aluminum finish.

Info notes

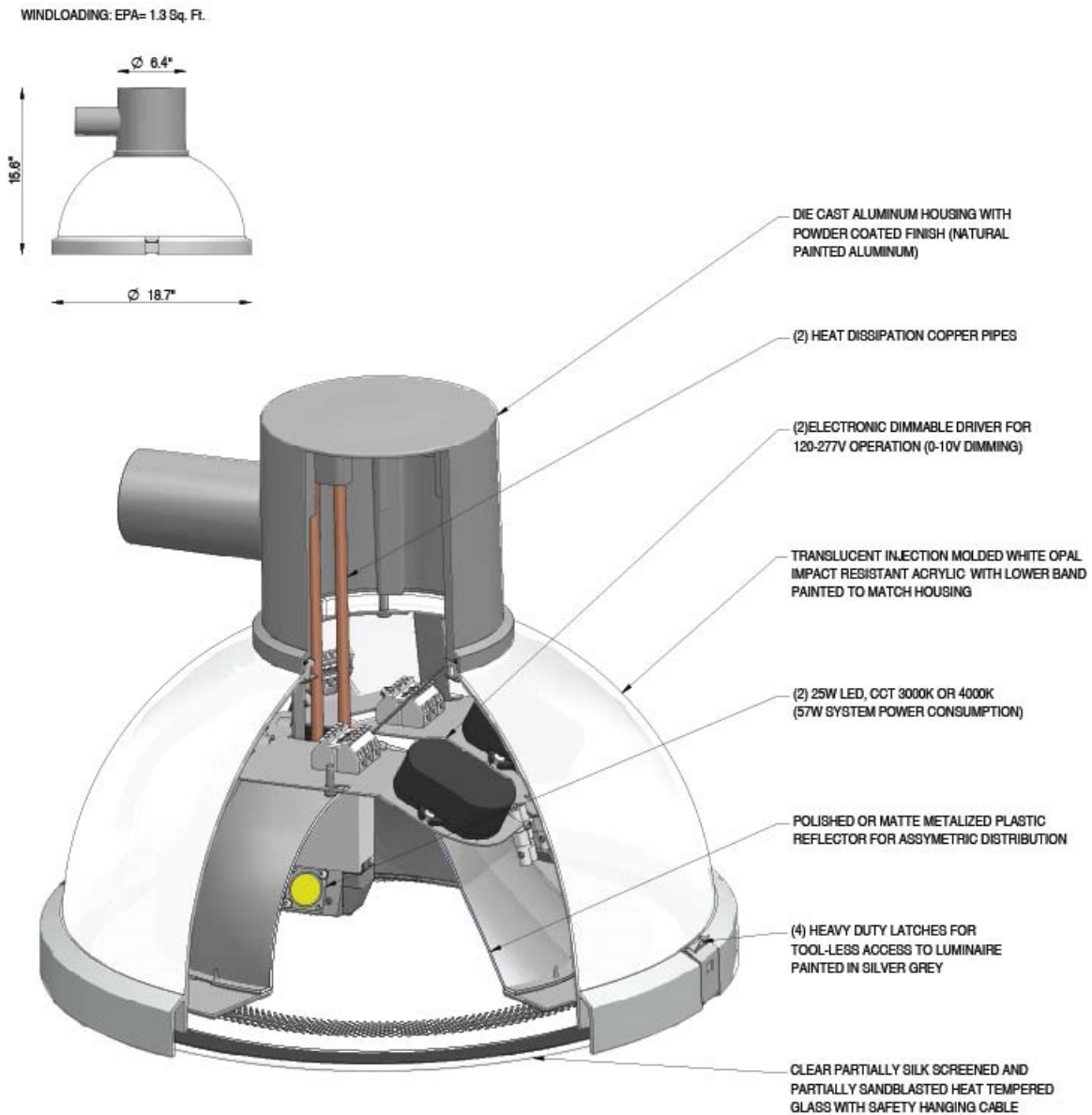
- I. For pole selection, refer to Pole page.
- II. LED technology is rapidly changing. Specifications are based on present technology. For most up to date specifications see www.louispoulsen.com.
- III. The comparable EU version has the following classification: Ingress Protection Code: IP66.

LP Icon Mini Post Top

LPI-MIN-PT-57W LED-OPAL

PRODUCT SPECIFICATION

Material description



LP Icon Mini Post Top

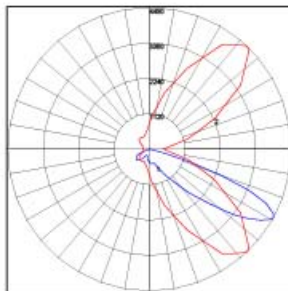
LPI-MIN-PT-57W LED-OPAL

PRODUCT SPECIFICATION

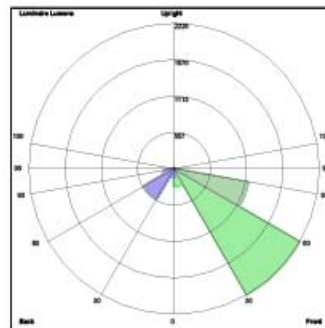
Light Measurements

Photometric Report: LPI-MIN-PT-57W LED-T3-OPAL
 Report No.: ITL79216
 Poulsen Report No.: LPI-MIN-PT-57W LED-T3-OPAL
 Luminaire: LP ICON MINI POST
 Lamp: 57W/LED/4000K

Description: All data shown are per 4476 lumens. This report can be used for calculation on all versions listed below. Use only actual lumen data calculating.



Vertical Angle	Candela
0	396
5	478
15	769
25	1366
35	1994
45	2382
55	1315
65	156
75	18
90	1
120	1
150	1
180	1



LUMINAIRE CLASSIFICATION SYSTEM (LCS)

	Lumens	% Lamp	% Lum
FL - Front-Low (0-30)	267.1	N.A.	6.0
FM - Front-Medium (30-60)	2226.2	N.A.	49.7
FH - Front-High (60-80)	1153.1	N.A.	25.8
FVH - Front-Very High (80-90)	3.7	N.A.	0.1
BL - Back-Low (0-30)	122.4	N.A.	2.7
BM - Back-Medium (30-60)	525.1	N.A.	11.7
BH - Back-High (60-80)	165.3	N.A.	3.7
BVH - Back-Very High (80-90)	2.1	N.A.	0.0
UL - Uplight-Low (90-100)	1.6	N.A.	0.0
UH - Uplight-High (100-180)	9.8	N.A.	0.2
Total	4476.4	N.A.	100.0
BUG Rating	B1-U1-G1		

Zonal Lumen Summary

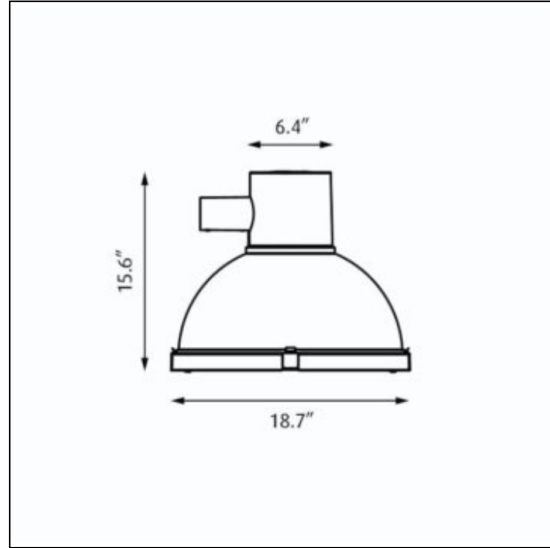
Zone	Lumens	% Lamp	% Fixture
0-20	149.73	N.A.	3.30
0-30	389.51	N.A.	8.70
0-40	901.29	N.A.	20.10
0-60	3140.77	N.A.	70.20
0-80	4459.16	N.A.	99.60
0-90	4464.92	N.A.	99.70
10-90	4426.21	N.A.	98.90
20-40	751.56	N.A.	16.80
20-50	1686.02	N.A.	37.70
40-70	3347.16	N.A.	74.80
60-80	1318.39	N.A.	29.50
70-80	210.71	N.A.	4.70
80-90	5.76	N.A.	0.10
90-110	3.30	N.A.	0.10
90-120	4.92	N.A.	0.10
90-130	6.62	N.A.	0.10
90-150	9.73	N.A.	0.20
90-180	11.37	N.A.	0.30
110-180	6.07	N.A.	0.20
0-180	4476.29	N.A.	100.00

LP Icon Mini Post Top

LPI-MIN-PT-57W LED-BSC

PRODUCT SPECIFICATION

Product description



Design Mads Odgård

Concept The fixture provides mainly direct downward illumination. In the opal version the shade is lit up from within and creates a soft diffuse upwards light. In the basic version the shade is opaque. Depending on the choice of reflector, the downward lighting characteristics will vary. The reflector types have been designed in three variations to provide either asymmetrical or symmetrical distributions of light.

Finish Charcoal grey or natural painted aluminum, powder coated.

Material Shade: Translucent injection moulded white opal acrylic or injection molded opaque ASA. Reflector: Pre-anodized segmented high reflectance aluminum. Bottom enclosure: Silk screened heat tempered glass. Housing: Die cast aluminum.

Mounting Post top: Mounted on davit (DAV), or straight (SRA) arm.

Weight Max. 27 lbs.

Label cULus, Wet location. IBEW.

Product Code	Light source	Voltage	Finish	Distribution/Trim	Reflector/Optics	Shade
LPI-MIN-PT	1/100W/MH/ED-17 medium	120/208/240/277V	GRAPH	T3	MATTE	BASIC
	1/150W/MH/ED-17 medium	120-277V	NAT PAINT ALU	T5	NOT APPLICABLE	OPAL
	45W LED/3000K			T5SQ	POLISHED	Same colour as Frame
	45W LED/4000K					
	57W LED/3000K					
	57W LED/4000K					

Specification notes

- a. 150W variant provided with one 120/208/240/277V integral open core and coil ballast.
- b. 100W variant provided with one 120-277V integral electronic ballast.
- c. LED variants provided with one 120-277V integral electronic dimmable driver (0-10V).
- d. LED variant only available with T5 distribution.
- e. LED variant only available with Natural Painted Aluminum finish.

Info notes

- I. For pole selection, refer to Pole page.
- II. LED technology is rapidly changing. Specifications are based on present technology. For most up to date specifications see www.louispoulsen.com.
- III. The comparable EU version has the following classification: Ingress Protection Code: IP66.

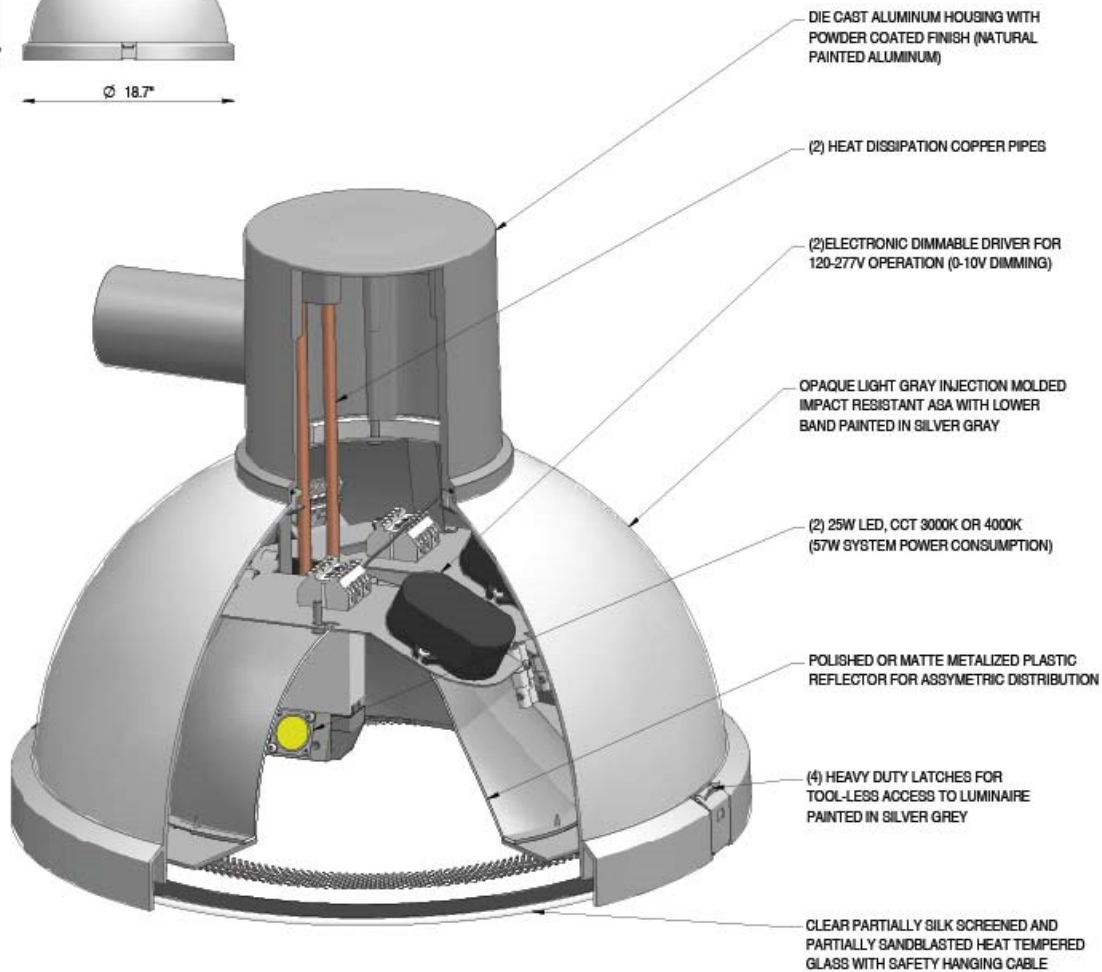
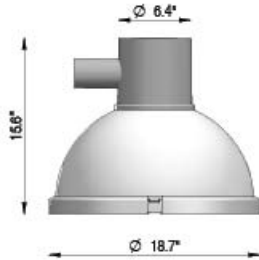
LP Icon Mini Post Top

LPI-MIN-PT-57W LED-BSC

PRODUCT SPECIFICATION

Material description

WINDLOADING: EPA= 1.3 Sq. Ft.



LP Icon Mini Post Top

LPI-MIN-PT-57W LED-BSC

PRODUCT SPECIFICATION

Light Measurements

Photometric Report: LPI-MIN-PT_57W LED_4000K_T3_BASIC_POSITION ONE

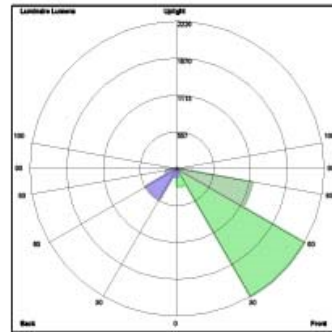
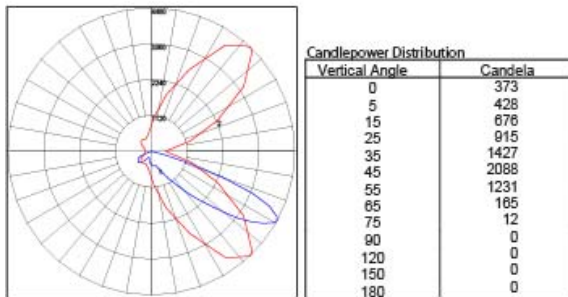
Report No.: ITL81198.

Poulsen Report No.: LPI-MIN-PT_57W LED_4000K_T3_BASIC_POSITION ONE

Luminaire: LP ICON MINI POST

Lamp: 57W/LED/4000K

Description: All data shown are per 4515 lumens. This report can be used for calculation on all versions listed below. Use only actual lumen data calculating.



Zonal Lumen Summary

Zone	Lumens	% Lamp	% Fixture
0-20	139.36	N.A.	3.10
0-30	368.43	N.A.	8.20
0-40	867.87	N.A.	19.20
0-60	3141.32	N.A.	69.60
0-80	4511.96	N.A.	99.90
0-90	4514.62	N.A.	100.00
10-90	4477.68	N.A.	99.20
20-40	728.51	N.A.	16.10
20-50	1661.94	N.A.	36.80
40-70	3413.56	N.A.	75.60
60-80	1370.64	N.A.	30.40
70-80	230.53	N.A.	5.10
80-90	2.66	N.A.	0.10
90-110	0.00	N.A.	0.00
90-120	0.00	N.A.	0.00
90-130	0.00	N.A.	0.00
90-150	0.00	N.A.	0.00
90-180	0.00	N.A.	0.00
110-180	0.00	N.A.	0.00
0-180	4514.62	N.A.	100.00

LUMINAIRE CLASSIFICATION SYSTEM (LCS)

	Lumens	% Lamp	% Lum
FL (0-30)	246.9	N.A.	5.5
FM (30-60)	2228.1	N.A.	49.4
FH (60-80)	1211.3	N.A.	26.8
FVH (80-90)	1.7	N.A.	0.0
BL (0-30)	121.5	N.A.	2.7
BM (30-60)	544.8	N.A.	12.1
BH (60-80)	159.3	N.A.	3.5
BVH (80-90)	1.0	N.A.	0.0
UL (90-100)	0.0	N.A.	0.0
UH (100-180)	0.0	N.A.	0.0
Total	4514.6	N.A.	100.0

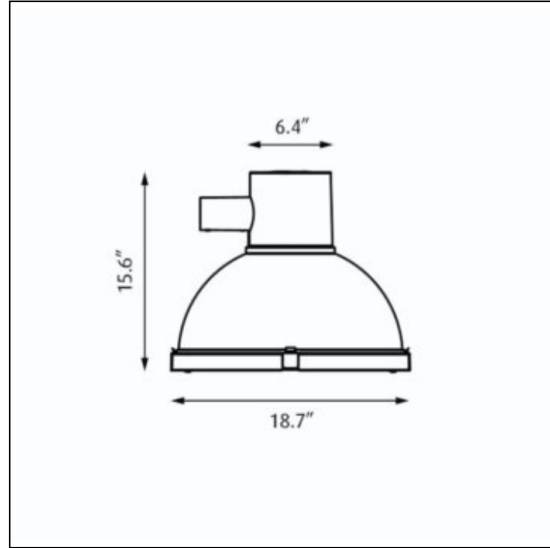
BUG Rating B1-U0-G1

LP Icon Mini Post Top

LPI-MIN-PT-45W-LED-OPAL

PRODUCT SPECIFICATION

Product description



Design Mads Odgård

Concept The fixture provides mainly direct downward illumination. In the opal version the shade is lit up from within and creates a soft diffuse upwards light. In the basic version the shade is opaque. Depending on the choice of reflector, the downward lighting characteristics will vary. The reflector types have been designed in three variations to provide either asymmetrical or symmetrical distributions of light.

Finish Charcoal grey or natural painted aluminum, powder coated.

Material Shade: Translucent injection moulded white opal acrylic or injection molded opaque ASA. Reflector: Pre-anodized segmented high reflectance aluminum. Bottom enclosure: Silk screened heat tempered glass. Housing: Die cast aluminum.

Mounting Post top: Mounted on davit (DAV), or straight (SRA) arm.

Weight Max. 27 lbs.

Label cULus, Wet location. IBEW.

Product Code	Light source	Voltage	Finish	Distribution/Trim	Reflector/Optics	Shade
LPI-MIN-PT	1/100W/MH/ED-17 medium	120/208/240/277V	GRAPH	T3	MATTE	BASIC
	1/150W/MH/ED-17 medium	120-277V	NAT PAINT ALU	T5	NOT APPLICABLE	OPAL
	45W LED/3000K			T5SQ	POLISHED	Same colour as Frame
	45W LED/4000K					
	57W LED/3000K					
	57W LED/4000K					

Specification notes

- a. 150W variant provided with one 120/208/240/277V integral open core and coil ballast.
- b. 100W variant provided with one 120-277V integral electronic ballast.
- c. LED variants provided with one 120-277V integral electronic dimmable driver (0-10V).
- d. LED variant only available with T5 distribution.
- e. LED variant only available with Natural Painted Aluminum finish.

Info notes

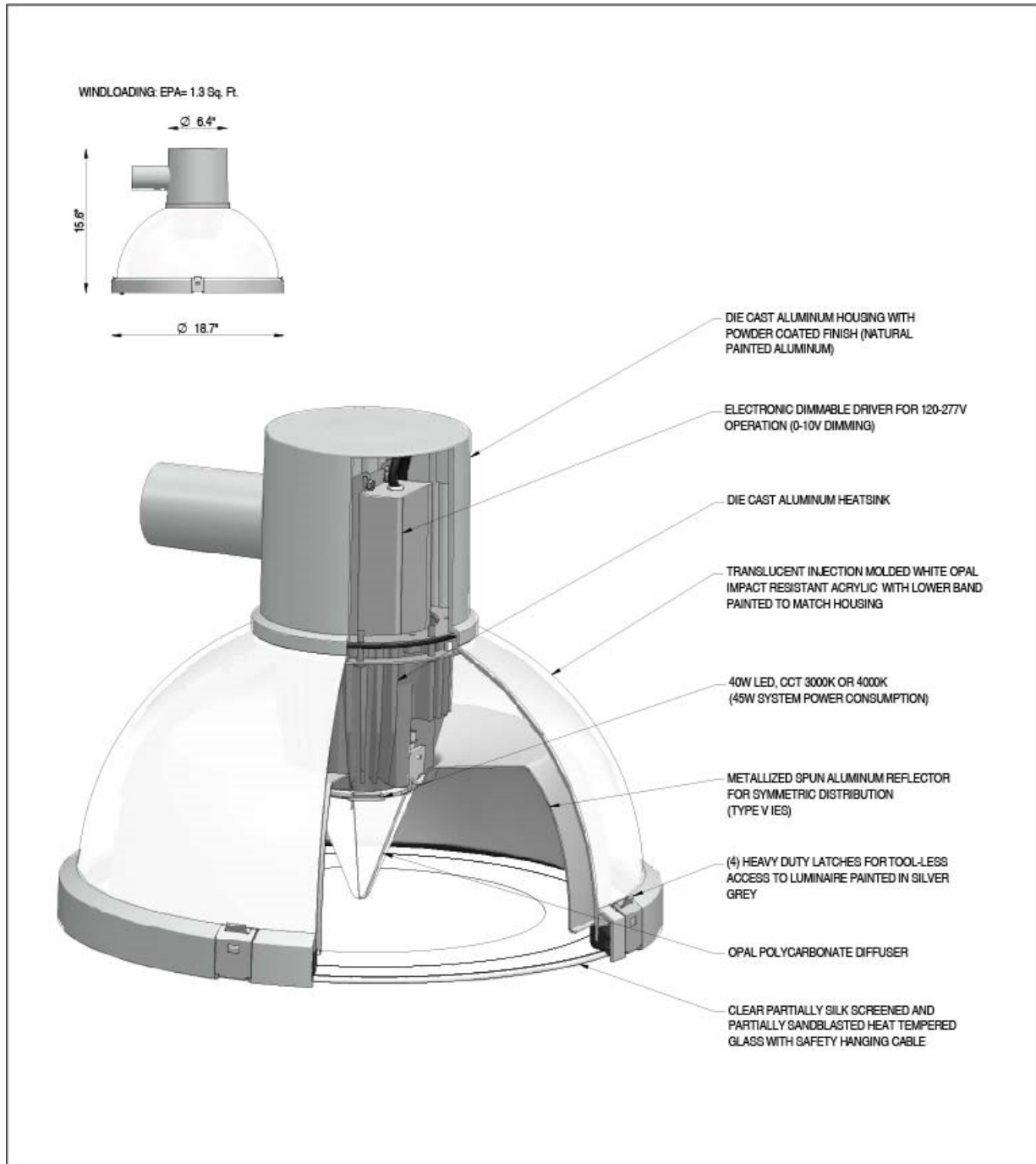
- I. For pole selection, refer to Pole page.
- II. LED technology is rapidly changing. Specifications are based on present technology. For most up to date specifications see www.louispoulsen.com.
- III. The comparable EU version has the following classification: Ingress Protection Code: IP66.

LP Icon Mini Post Top

LPI-MIN-PT-45W-LED-OPAL

PRODUCT SPECIFICATION

Material description



LP Icon Mini Post Top

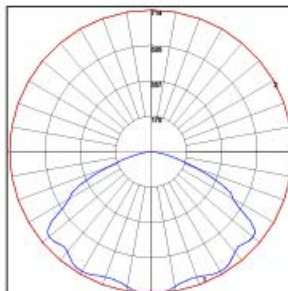
LPI-MIN-PT-45W-LED-OPAL

PRODUCT SPECIFICATION

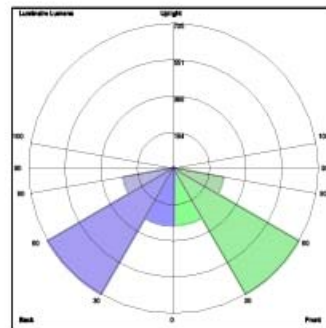
Light Measurements

Photometric Report: LPI-MIN-PT_45W_LED_4000K_OPAL
 Report No.: ITL74039
 Poulsen Report No.: LPI-MIN-PT_45W_LED_4000K_OPAL
 Luminaire: LPI-MIN-PT
 Lamp: LED 45W / 4000K

Description: All data shown are per 2585 lumens. This report can be used for calculation on all versions listed below. Use only actual lumen data calculating.



Vertical Angle	Candela
0	704.5
5	713.5
15	675.1
25	687.6
35	688.7
45	668.2
55	610.8
65	301.7
75	125.3
90	1.13
120	1.13
150	1.13
180	1.13



LUMINAIRE CLASSIFICATION SYSTEM (LCS)

	Lumens	% Lamp	% Lum
FL - Front-Low (0-30)	288.5	N.A.	11.2
FM - Front-Medium (30-60)	735.0	N.A.	28.4
FH - Front-High (60-80)	257.0	N.A.	9.9
FVH - Front-Very High (80-90)	8.2	N.A.	0.3
BL - Back-Low (0-30)	288.5	N.A.	11.2
BM - Back-Medium (30-60)	735.0	N.A.	28.4
BH - Back-High (60-80)	257.0	N.A.	9.9
BVH - Back-Very High (80-90)	8.2	N.A.	0.3
UL - Uplight-Low (90-100)	1.2	N.A.	0.0
UH - Uplight-High (100-180)	5.9	N.A.	0.2
Total	2584.5	N.A.	100.0

BUG Rating B1-U1-G0

Zonal Lumen Summary

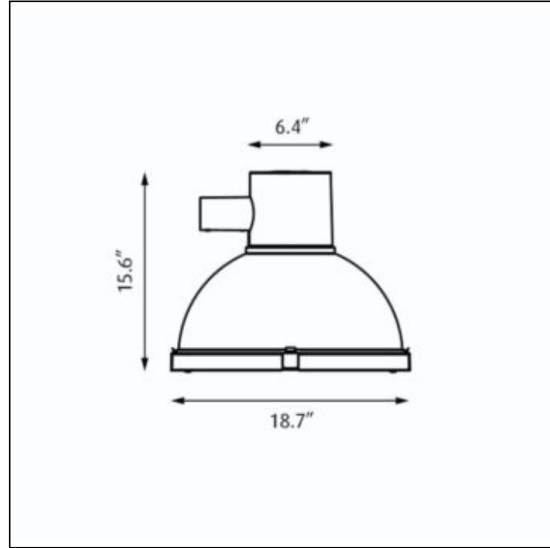
Zone	Lumens	% Lamp	% Fixture
0-20	259.06	N.A.	10.00
0-30	576.97	N.A.	22.30
0-40	1005.91	N.A.	38.90
0-60	2047.01	N.A.	79.20
0-80	2561.09	N.A.	99.10
0-90	2577.5	N.A.	99.70
10-90	2510.23	N.A.	97.10
20-40	746.85	N.A.	28.90
20-50	1258.12	N.A.	48.70
40-70	1416.35	N.A.	54.80
60-80	514.07	N.A.	19.90
70-80	138.83	N.A.	5.40
80-90	16.41	N.A.	0.60
90-110	2.43	N.A.	0.10
90-120	3.55	N.A.	0.10
90-130	4.56	N.A.	0.20
90-150	6.14	N.A.	0.20
90-180	7.09	N.A.	0.30
110-180	4.67	N.A.	0.20
0-180	2584.59	N.A.	100.00

LP Icon Mini Post Top

LPI-MIN-PT-45W-LED-BASIC

PRODUCT SPECIFICATION

Product description



Design Mads Odgård

Concept The fixture provides mainly direct downward illumination. In the opal version the shade is lit up from within and creates a soft diffuse upwards light. In the basic version the shade is opaque. Depending on the choice of reflector, the downward lighting characteristics will vary. The reflector types have been designed in three variations to provide either asymmetrical or symmetrical distributions of light.

Finish Charcoal grey or natural painted aluminum, powder coated.

Material Shade: Translucent injection moulded white opal acrylic or injection molded opaque ASA. Reflector: Pre-anodized segmented high reflectance aluminum. Bottom enclosure: Silk screened heat tempered glass. Housing: Die cast aluminum.

Mounting Post top: Mounted on davit (DAV), or straight (SRA) arm.

Weight Max. 27 lbs.

Label cULus, Wet location. IBEW.

Product Code	Light source	Voltage	Finish	Distribution/Trim	Reflector/Optics	Shade
LPI-MIN-PT	1/100W/MH/ED-17 medium	120/208/240/277V	GRAPH	T3	MATTE	BASIC
	1/150W/MH/ED-17 medium	120-277V	NAT PAINT ALU	T5	NOT APPLICABLE	OPAL
	45W LED/3000K			T5SQ	POLISHED	Same colour as Frame
	45W LED/4000K					
	57W LED/3000K					
	57W LED/4000K					

Specification notes

- 150W variant provided with one 120/208/240/277V integral open core and coil ballast.
- 100W variant provided with one 120-277V integral electronic ballast.
- LED variants provided with one 120-277V integral electronic dimmable driver (0-10V).
- LED variant only available with T5 distribution.
- LED variant only available with Natural Painted Aluminum finish.

Info notes

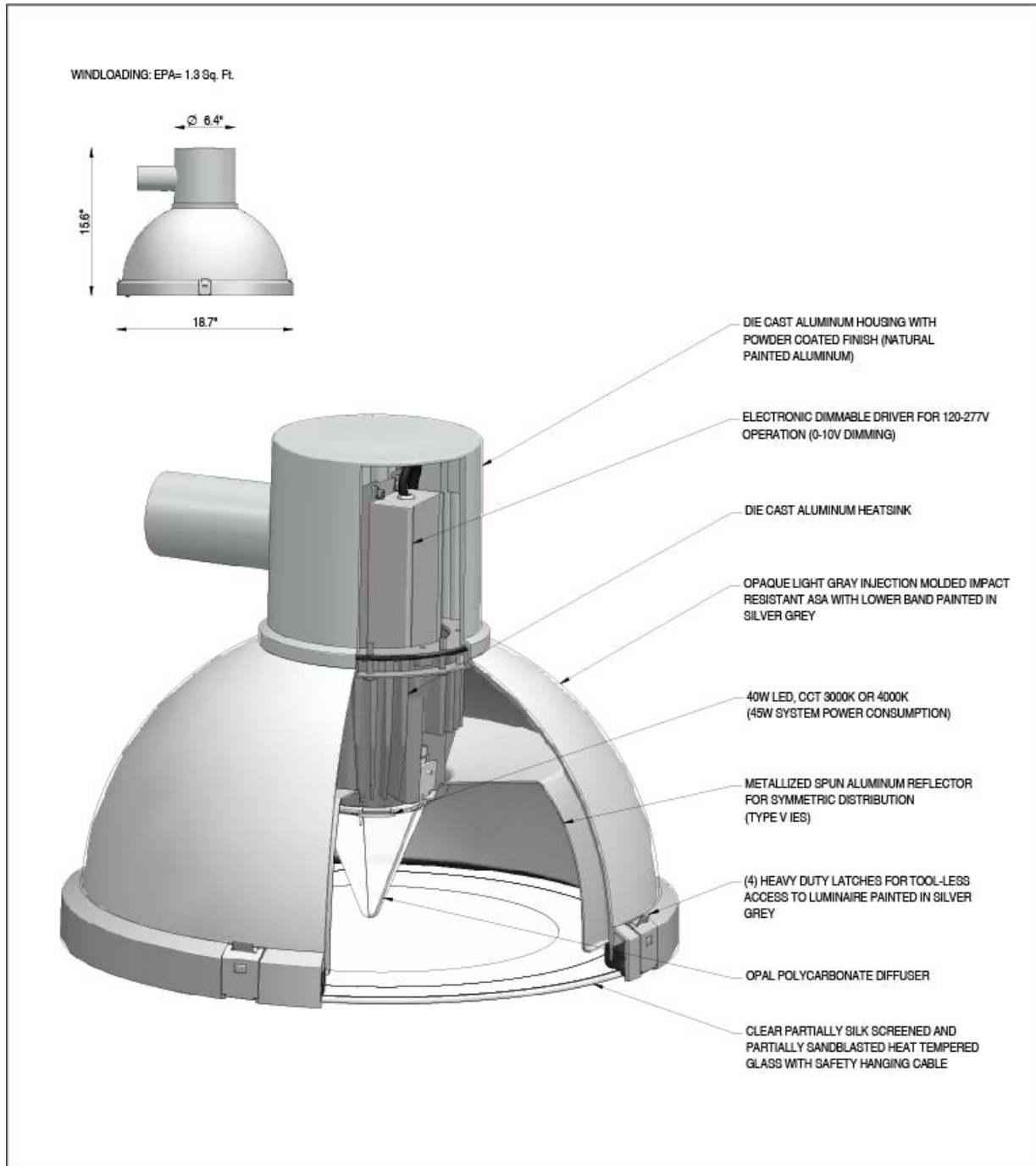
- For pole selection, refer to Pole page.
- LED technology is rapidly changing. Specifications are based on present technology. For most up to date specifications see www.louispoulsen.com.
- The comparable EU version has the following classification: Ingress Protection Code: IP66.

LP Icon Mini Post Top

LPI-MIN-PT-45W-LED-BASIC

PRODUCT SPECIFICATION

Material description



LP Icon Mini Post Top

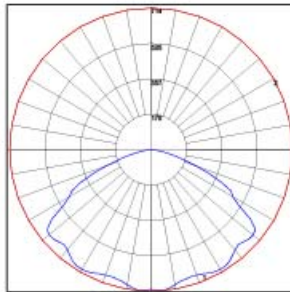
LPI-MIN-PT-45W-LED-BASIC

PRODUCT SPECIFICATION

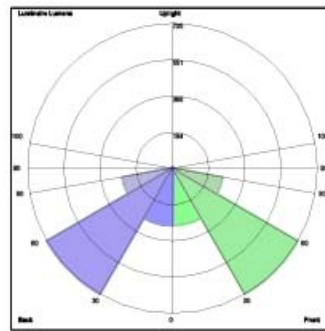
Light Measurements

Photometric Report: LPI-MIN-PT_45W_LED_4000K_BSC
 Report No.: ITL74039
 Poulsen Report No.: LPI-MIN-PT_45W_LED_4000K_BSC
 Luminaire: LPI-MIN-PT
 Lamp: LED 45W / 4000K

Description: All data shown are per 2585 lumens. This report can be used for calculation on all versions listed below. Use only actual lumen data calculating.



Vertical Angle	Candela
0	704.5
5	713.5
15	675.1
25	687.6
35	688.7
45	668.2
55	610.8
65	301.7
75	125.3
90	1.13
120	1.13
150	1.13
180	1.13



LUMINAIRE CLASSIFICATION SYSTEM (LCS)

	Lumens	% Lamp	% Lum
FL - Front-Low (0-30)	288.5	N.A.	11.2
FM - Front-Medium (30-60)	735.0	N.A.	28.4
FH - Front-High (60-80)	257.0	N.A.	9.9
FVH - Front-Very High (80-90)	8.2	N.A.	0.3
BL - Back-Low (0-30)	288.5	N.A.	11.2
BM - Back-Medium (30-60)	735.0	N.A.	28.4
BH - Back-High (60-80)	257.0	N.A.	9.9
BVH - Back-Very High (80-90)	8.2	N.A.	0.3
UL - Uplight-Low (90-100)	1.2	N.A.	0.0
UH - Uplight-High (100-180)	5.9	N.A.	0.2
Total	2584.5	N.A.	100.0

BUG Rating B1-U1-G0

Zonal Lumen Summary

Zone	Lumens	% Lamp	% Fixture
0-20	259.06	N.A.	10.00
0-30	576.97	N.A.	22.30
0-40	1005.91	N.A.	38.90
0-60	2047.01	N.A.	79.20
0-80	2561.09	N.A.	99.10
0-90	2577.5	N.A.	99.70
10-90	2510.23	N.A.	97.10
20-40	746.85	N.A.	28.90
20-50	1258.12	N.A.	48.70
40-70	1416.35	N.A.	54.80
60-80	514.07	N.A.	19.90
70-80	138.83	N.A.	5.40
80-90	16.41	N.A.	0.60
90-110	2.43	N.A.	0.10
90-120	3.55	N.A.	0.10
90-130	4.56	N.A.	0.20
90-150	6.14	N.A.	0.20
90-180	7.09	N.A.	0.30
110-180	4.67	N.A.	0.20
0-180	2584.59	N.A.	100.00