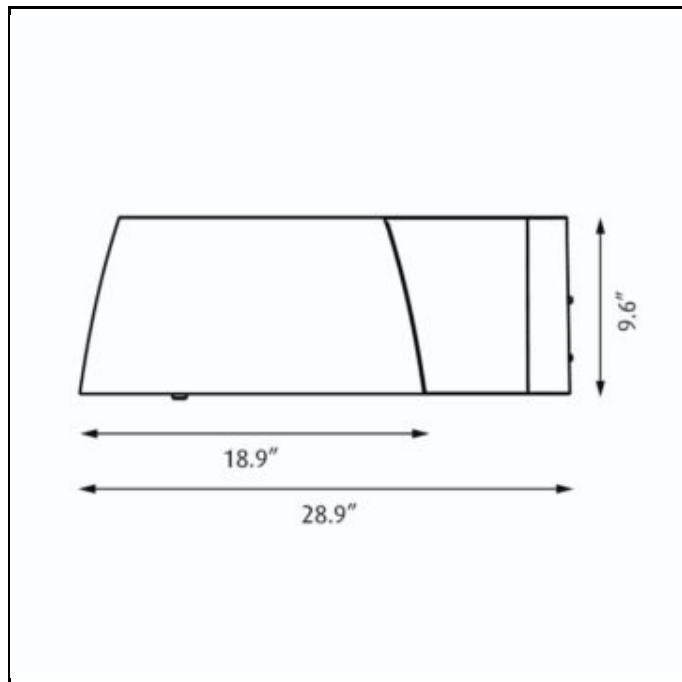


LP Hint



Design Helena Tatjana Eliason

Concept The fixture emits light directed mainly downwards. The fixture is available in three diffuser variants. The basic and dome versions have a clear diffuser and have a 100% downward light distribution. The opal version has an opal acrylic top which helps to illuminate the actual fixture while also functioning as a directional marker. Furthermore the opal version is also available with an acrylic lower shade which emits a glowing decorative lighting effect.

Finish Natural painted aluminum, powder coated.

Material Top diffuser: Injection molded opal acrylic. Top dome: Spun aluminum. Reflector: Pre-anodized segmented high reflectance aluminum. Housing: Die cast aluminum. Lower shade: Flat heat tempered glass or convex acrylic shade.

Mounting Post top: Mounted on round straight aluminum (RSA) pole.

Weight Max. 35.3 lbs.

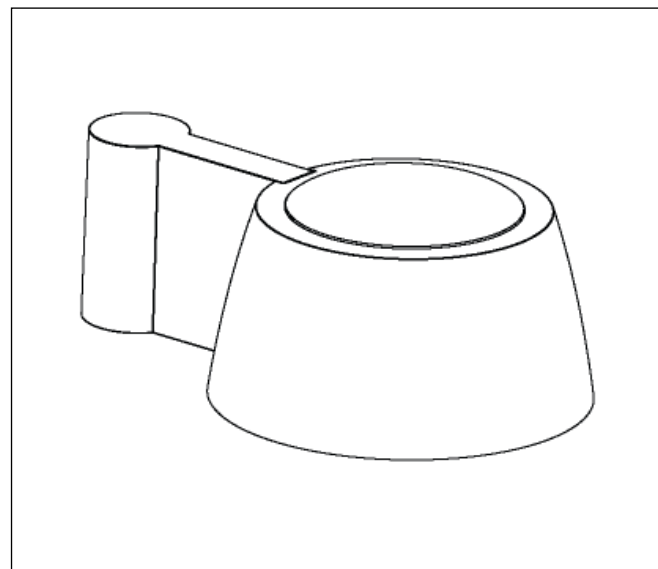
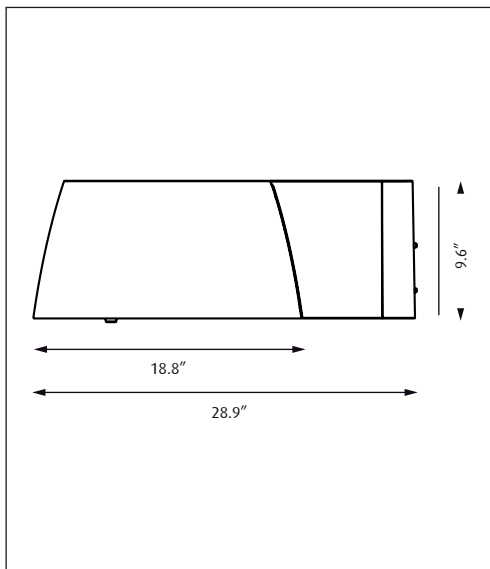
Label cULus, Wet location. IBEW.

Product Code	Light source	Voltage	Finish	Distribution/Trim	Shade	Transition to pole
LP-HINT	1/150W/CMH/T-6 G12	120/277V	NAT PAINT ALU	T3	BASIC	T-RSA-4.5"
	1/150W/MH/ED-17 medium	120-277V		T5SQ	DOME	
	1/250W/MH/ED-28 mogul				OPAL OPAL W/SHADE	

Specification notes

- a. 150W light source only available with 120-277V electronic ballast
- b. 250W light source only available with 120/277V f-can ballast
- c. 250W light source only available with DOME shade

Design Helena Tatjana Eliason



10000090119-01

Light source Leuchtmittel Ljuskälla Sorgenti luminose Source lumineuse Fuente de luz Lyskilde	Voltage Spannung Spänning Tensione Voltage Tensión Spænding	Weight Gewicht Vikt Peso/ingombro Poids Peso Vægt	Electric shock protection Schutzklasse Isolationsklass Classe di isolamento Protection au choc électrique Clase de aislamiento Isolationsklasse	Ingress protection Ingress protection Kapslingsklass Grado di protezione Indice de protection Clase de protección Tæthedsklasse
1/150W/CMH/T-6 G12 1/150W/PSMH/ED-17 medium 1/250W/PSMH/ED-28 mogul	120-277V 120/277V	MAX. 35 lbs	Cl. I	IP 66

EN

Wipe off dust with a dry, soft cloth. Remove greasy spots etc. with a soft cloth dampened in lukewarm water (<50° C) with a mild detergent.
Never use detergents containing abrasives and solvents.

DE

Staub bitte mit einem trockenen, weichen Lappen abwischen. Fettflecke und dgl. mit einem feuchten, in lauwarmem Wasser (<50° C) mit mildem Reinigungsmittel ausgewaschenen Lappen entfernen.
Niemals Reinigungsmittel mit Schleifmittel oder Lösungsmittel verwenden.

SV

Lampan dammtorkas med en torr, mjuk trasa. Fettfläckar tas bort med ljummet vatten (<50° C) utblandat med mildt rengöringsmedel.
Använd aldrig rengöringsmedel som innehåller slipmedel eller lösningsmedel.

IT

Pulire la polvere esterna con un panno morbido e asciutto. Rimuovere macchie di grasso ecc. con un panno morbido inumidito in acqua tiepida (<50° C) e con un detergente leggero.
Non usare mai detergenti contenenti abrasivi o solventi.

FR

Essuyez la poussière avec un chiffon sec et doux. Enlevez les points de saleté etc. Avec un chiffon doux imprégné d'eau claire tiède et de détergent doux. Ne jamais utiliser de détergents contenant des abrasifs et des solvants.

ES

Limpiar con paño seco y suave. Quitar manchas de grasa y otras con paño suave humedecido con agua templada (<50° C) con detergente poco agresivo.
Nunca use detergentes que contengan abrasivos y disolventes.

DA

Støv aftørres med en tør, blød klud. Fedtpletter og lignende kan fjernes med en blød klud opvredet i lunkent vand (<50° C) tilsat mildt rengøringsmiddel.
Brug aldrig rengøringsmidler med slibemiddel eller opløsningsmidler.

Headoffice
Denmark
Louis Poulsen Lighting
A/S
Tel: +45 33 14 14 14
Fax: +45 33 14 60 62
www.louis-poulsen.dk

Export Division
Louis Poulsen Lighting
A/S
Tel: +45 33 31 11 66
Fax: +45 33 29 86 46

France
Louis Poulsen & Cie
Tel: +33 1 49 59 68 68
Fax: +33 1 49 59 68 69
www.louis-poulsen.fr

Holland
Louis Poulsen B.V.
Tel: +31 23 5650030
Fax: +31 23 5652284
www.louis-poulsen.nl

Norway
Louis Poulsen & Co. A/S
Tel: +47 22 50 20 20
Fax: +47 22 52 47 05
www.louis-poulsen.no

Switzerland
Louis Poulsen AG
Tel: +41 1 733 70 40
Fax: +41 1 733 70 50
www.louis-poulsen.ch

USA
Louis Poulsen Lighting
Inc.
Tel: +1 954-349-2525
Fax: +1 954-349-2550
www.louis-poulsen.com

Denmark
Frontdesk
Tel: +45 33 31 11 66
Fax: +45 33 29 86 45

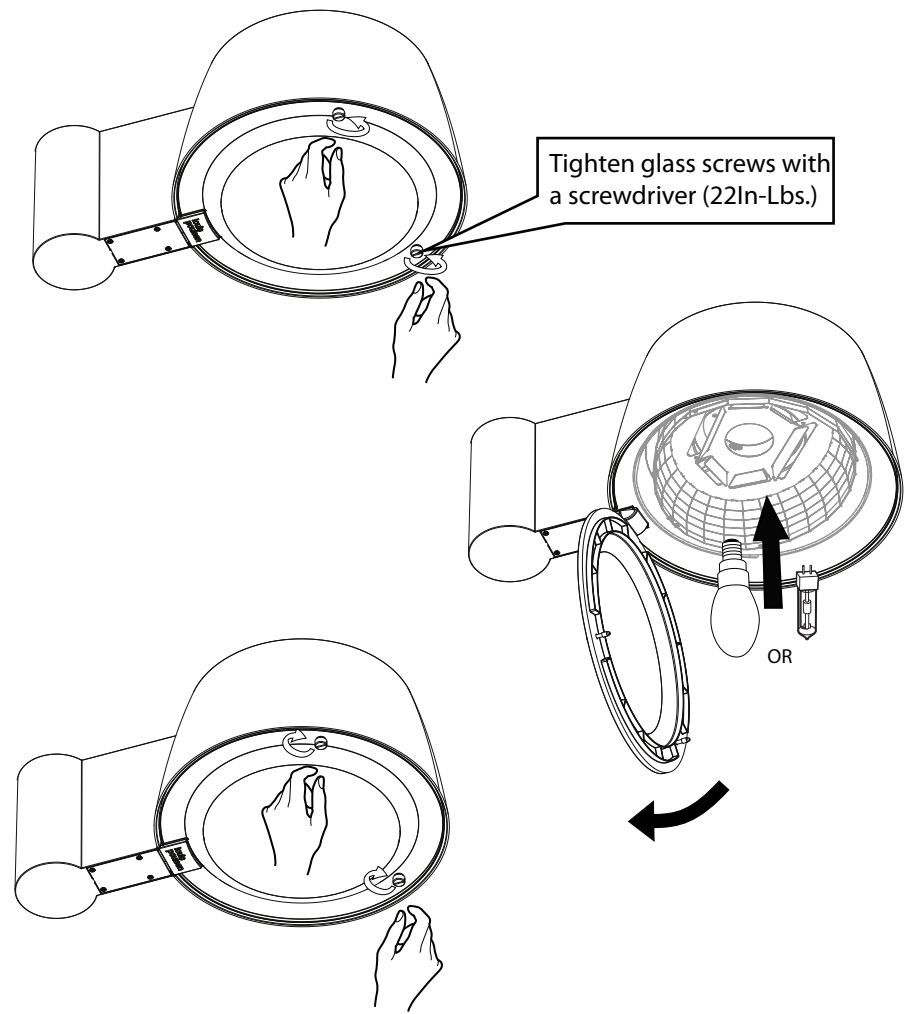
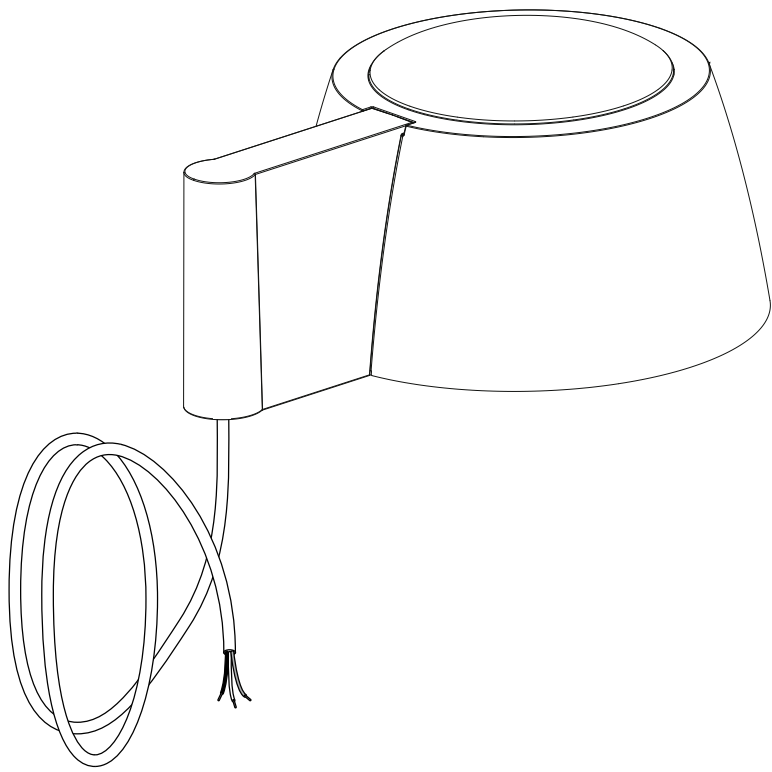
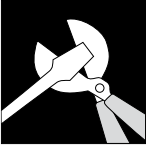
Finland
Louis Poulsen Oy
Tel: +358 9 6226 760
Fax: +358 9 6226 7650
www.louis-poulsen.fi

Germany
Louis Poulsen & Co.
GmbH
Tel: +49 2103 940 0
Fax: +49 2103 940 290

Japan
Louis Poulsen Japan KK
Tel: +81 3 3586 5341
Fax: +81 3 3586 0478

Sweden
Louis Poulsen & Co. AB
Tel: +46 8 446 48 00
Fax: +46 8 446 48 28
www.louis-poulsen.se

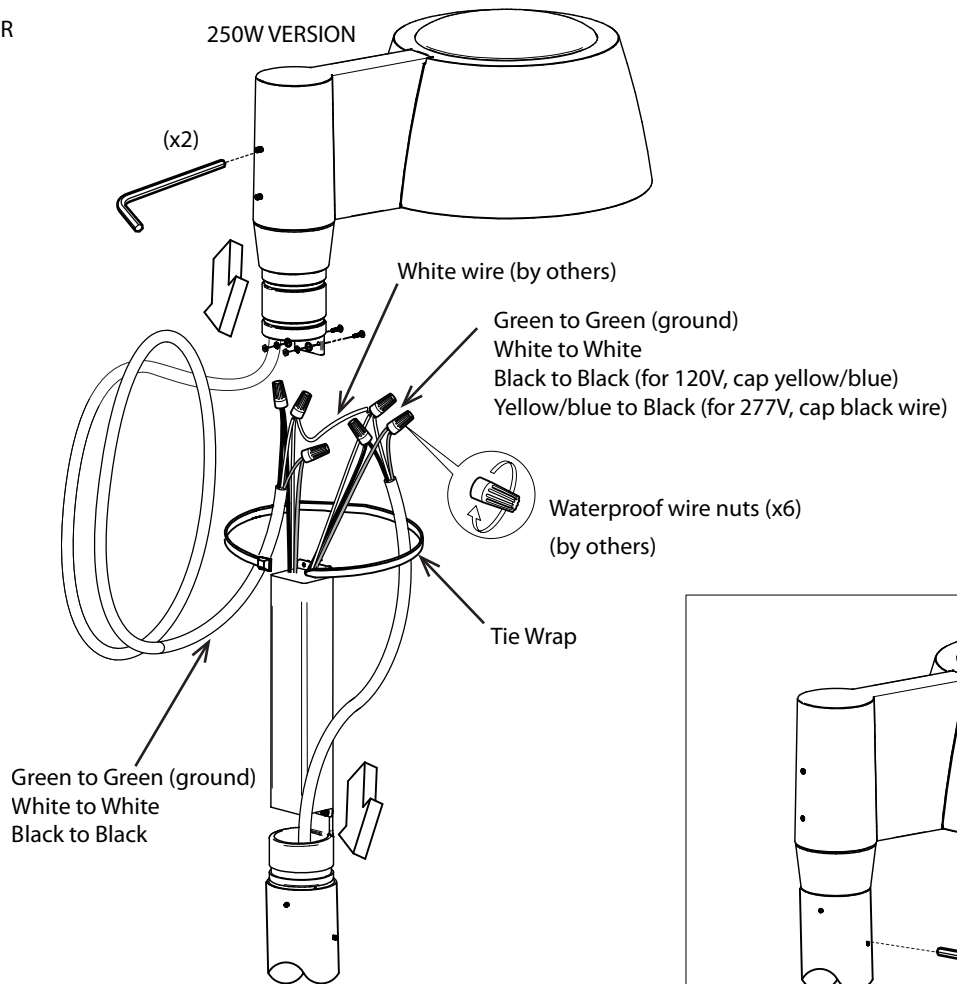
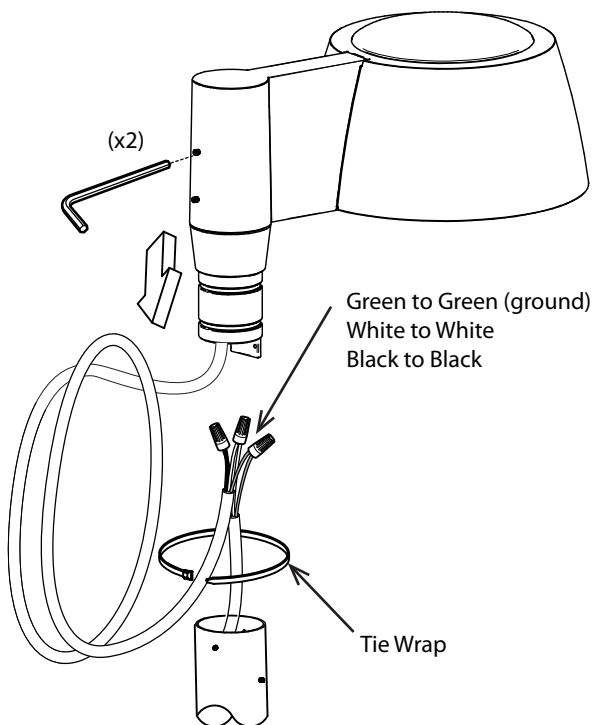
United Kingdom
Louis Poulsen UK Ltd.
Tel: +44 1372 848 800
Fax: +44 1372 848 801
www.louis-poulsen.co.uk



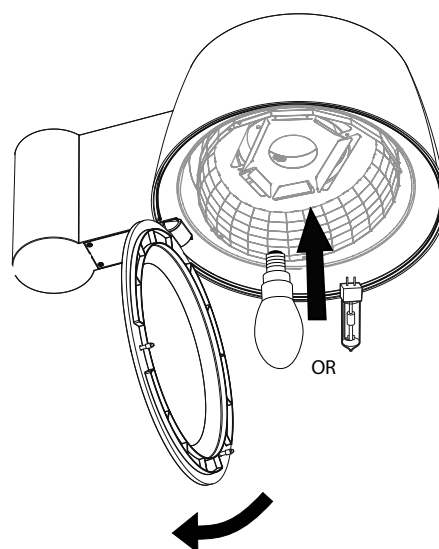
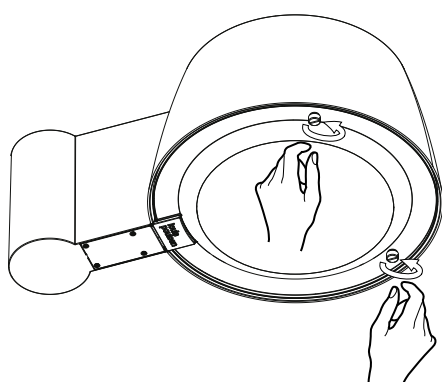
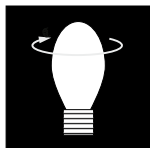
150W VERSION

OR

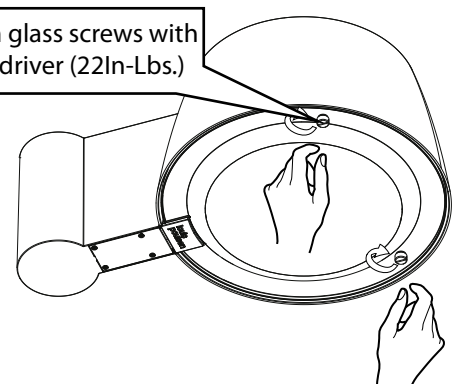
250W VERSION



Ensure that the power is turned off and wire the luminaire:
White to Common, Black to Line and Green to Ground.



Tighten glass screws with a screwdriver (22In-Lbs.)

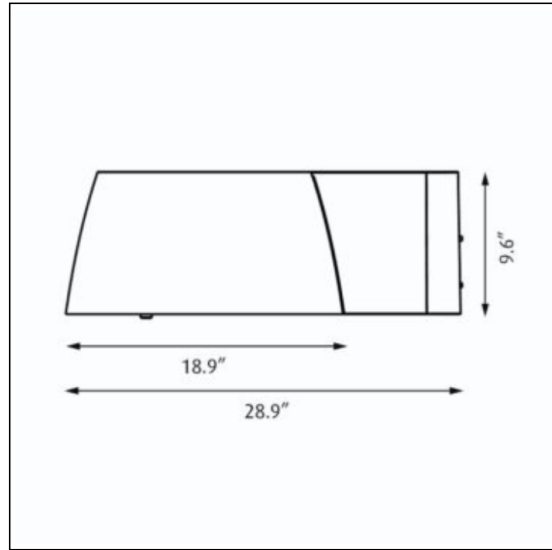


LP Hint

LP-HINT-PT-PSMH-MOGUL-DOME

PRODUCT SPECIFICATION

Product description



Design Helena Tatjana Eliason

Concept The fixture emits light directed mainly downwards. The fixture is available in three diffuser variants. The basic and dome versions have a clear diffuser and have a 100% downward light distribution. The opal version has an opal acrylic top which helps to illuminate the actual fixture while also functioning as a directional marker. Furthermore the opal version is also available with an acrylic lower shade which emits a glowing decorative lighting effect.

Finish Natural painted aluminum, powder coated.

Material Top diffuser: Injection molded opal acrylic. Top dome: Spun aluminum. Reflector: Pre-anodized segmented high reflectance aluminum. Housing: Die cast aluminum. Lower shade: Flat heat tempered glass or convex acrylic shade.

Mounting Post top: Mounted on round straight aluminum (RSA) pole.

Weight Max. 35.3 lbs.

Label cULus, Wet location. IBEW.

Product Code	Light source	Voltage	Finish	Distribution/Trim	Shade	Transition to pole
LP-HINT	1/150W/CMH/T-6 G12	120/277V	NAT PAINT ALU	T3	BASIC	T-RSA-4.5"
	1/150W/MH/ED-17 medium	120-277V		T5SQ	DOME	
	1/250W/MH/ED-28 mogul				OPAL OPAL W/SHADE	

Specification notes

- a. 150W light source only available with 120-277V electronic ballast
- b. 250W light source only available with 120/277V f-can ballast
- c. 250W light source only available with DOME shade

LP Hint

LP-HINT-PT-PSMH-MOGUL-DOME

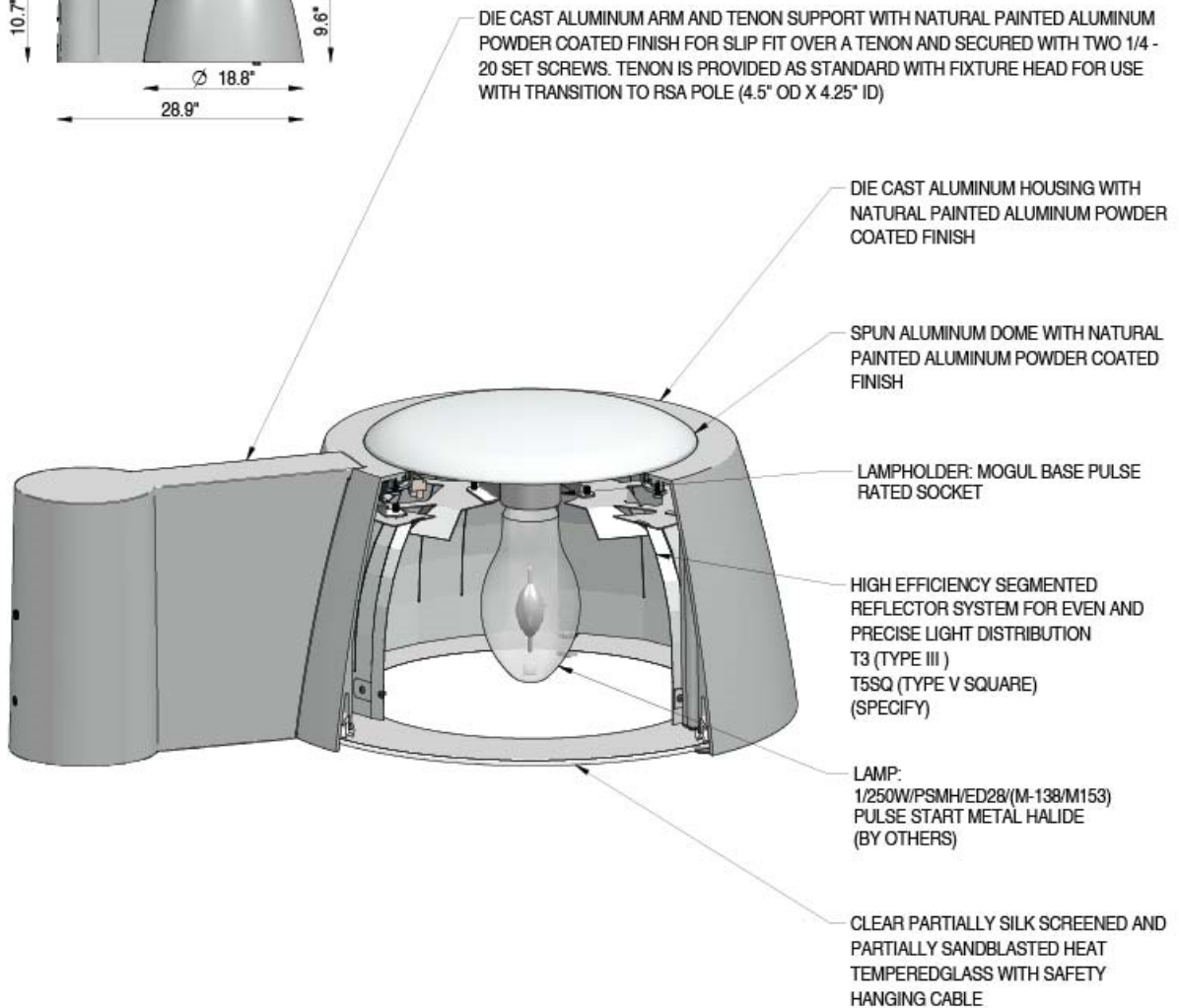
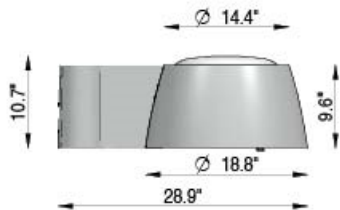
PRODUCT SPECIFICATION

Material description

NOTES:

1. PROVIDED STANDARD WITH ONE 120/277V F-CAN STYLE BALLAST FOR INSTALLATION IN POLES WITH INSIDE DIAMETERS OF 4-1/4" OR LARGER
2. MAXIMUM BALLAST-TO-LAMP DISTANCE FOR 50 FT

WINDLOADING: EPA = 1.87 Sq. Ft.



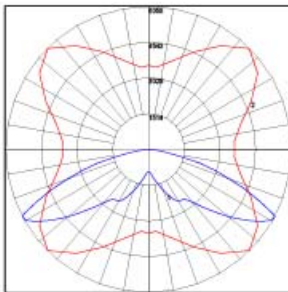
LP Hint

LP-HINT-PT-PSMH-MOGUL-DOME

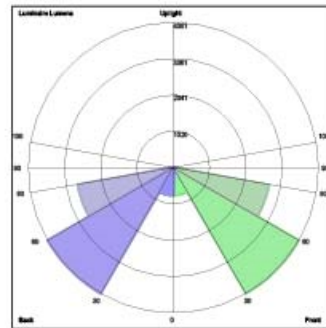
PRODUCT SPECIFICATION

Light Measurements

Photometric Report: LP HINT-1-250W-MH-T55-DOME
 Report No.: ITL59607
 Poulsen Report No.: LP HINT-1-250W-MH-T55-DOME
 Luminaire: LP HINT
 Lamp: 1/250W/MH/ED28
 Efficiency: 75%
 Description: All data shown are per 20500 lumens. This report can be used for calculation on all versions listed below. Use only actual lumen data calculating.



Candlepower Distribution	
Vertical Angle	Candela
0	954.7
5	1027.9
15	1454.0
25	2142.2
35	2482.9
45	3303.4
55	3728.0
65	2972.5
75	1298.8
90	0.0



LUMINAIRE CLASSIFICATION SYSTEM (LCS)

	Lumens	% Lamp	% Luminaire
FL - Front-Low (0-30)	773.6	3.8	5.0
FM - Front-Medium (30-60)	4061.4	19.9	26.5
FH - Front-High (60-80)	2731.4	13.3	17.7
FVH - Front-Very High (80-90)	114.2	0.6	0.7
BL - Back-Low (0-30)	773.6	3.8	5.0
BM - Back-Medium (30-60)	4061.4	19.9	26.5
BH - Back-High (60-80)	2731.4	13.3	17.7
BVH - Back-Very High (80-90)	114.2	0.6	0.7
UL - Uplight-Low (90-100)	0.0	0.0	0.0
UH - Uplight-High (100-180)	0.0	0.0	0.0
Total	15401.2	75.2	100.0

BUG Rating B4-U0-G2

Zonal Lumen Summary

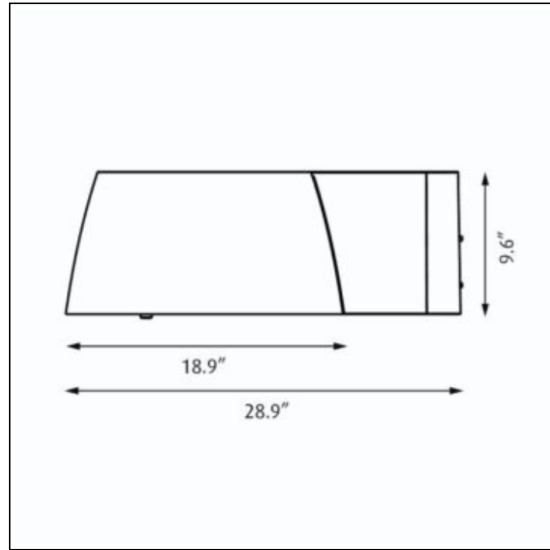
Zone	Lumens	% Lamp	% Fixture
0-20	541.96	2.60	3.50
0-30	1547.18	7.50	10.00
0-40	3155.52	15.40	20.50
0-60	9709.96	47.40	63.00
0-80	15172.69	74.00	98.50
0-90	15401.1	75.10	100.00
10-90	15296.83	74.60	99.30
20-40	2613.57	12.70	17.00
20-50	5235.6	25.50	34.00
40-70	10314.77	50.30	67.00
60-80	5462.72	26.60	35.50
70-80	1702.4	8.30	11.10
80-90	228.41	1.10	1.50
90-110	0.00	0.00	0.00
90-120	0.00	0.00	0.00
90-130	0.00	0.00	0.00
90-150	0.00	0.00	0.00
90-180	0.00	0.00	0.00
110-180	0.00	0.00	0.00
0-180	15401.1	75.10	100.00

LP Hint

LP-HINT-PT-PSMH

PRODUCT SPECIFICATION

Product description



Design Helena Tatjana Eliason

Concept The fixture emits light directed mainly downwards. The fixture is available in three diffuser variants. The basic and dome versions have a clear diffuser and have a 100% downward light distribution. The opal version has an opal acrylic top which helps to illuminate the actual fixture while also functioning as a directional marker. Furthermore the opal version is also available with an acrylic lower shade which emits a glowing decorative lighting effect.

Finish Natural painted aluminum, powder coated.

Material Top diffuser: Injection molded opal acrylic. Top dome: Spun aluminum. Reflector: Pre-anodized segmented high reflectance aluminum. Housing: Die cast aluminum. Lower shade: Flat heat tempered glass or convex acrylic shade.

Mounting Post top: Mounted on round straight aluminum (RSA) pole.

Weight Max. 35.3 lbs.

Label cULus, Wet location. IBEW.

Product Code	Light source	Voltage	Finish	Distribution/Trim	Shade	Transition to pole
LP-HINT	1/150W/CMH/T-6 G12	120/277V	NAT PAINT ALU	T3	BASIC	T-RSA-4.5"
	1/150W/MH/ED-17 medium	120-277V		T5SQ	DOME	
	1/250W/MH/ED-28 mogul				OPAL OPAL W/SHADE	

Specification notes

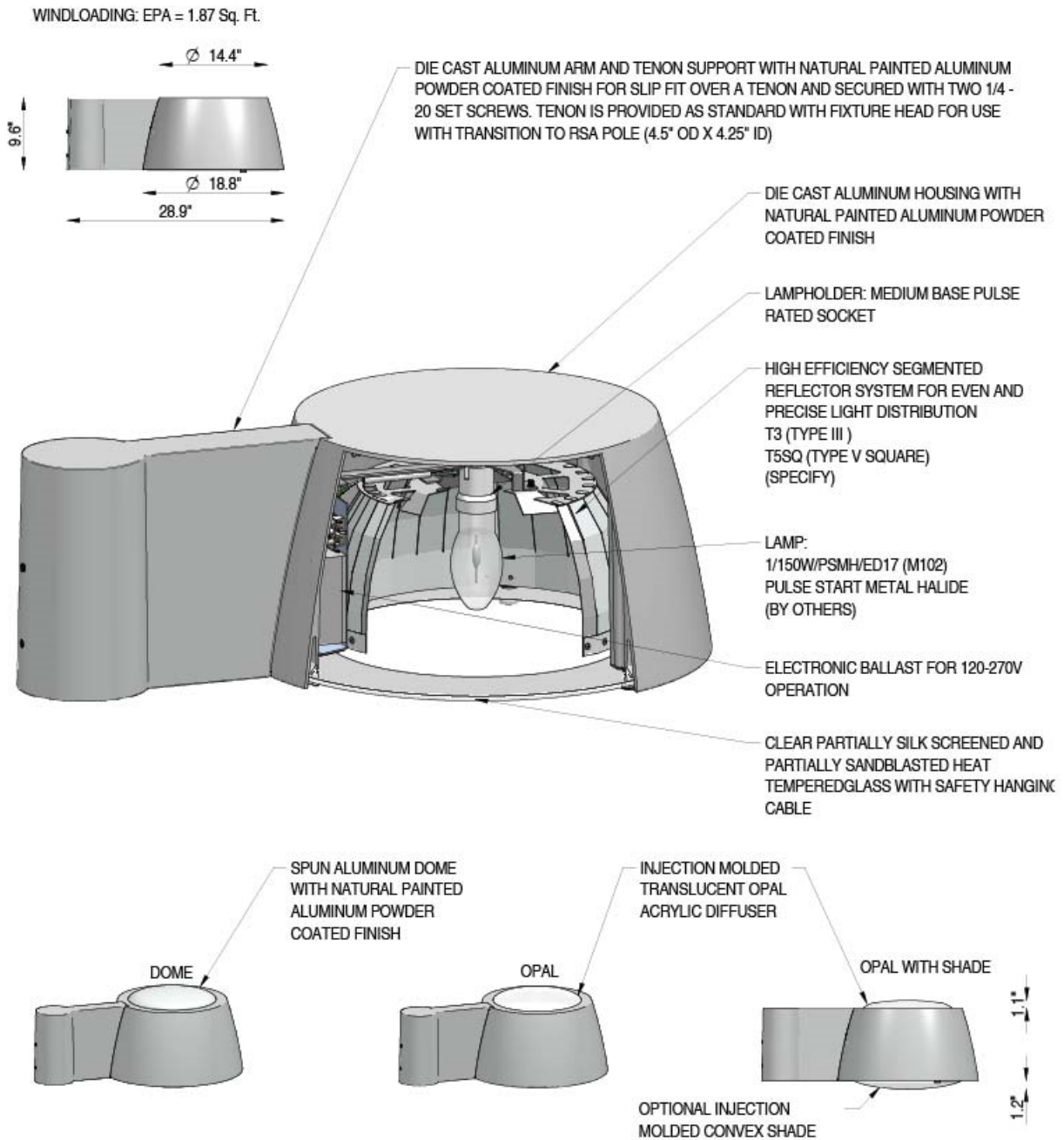
- a. 150W light source only available with 120-277V electronic ballast
- b. 250W light source only available with 120/277V f-can ballast
- c. 250W light source only available with DOME shade

LP Hint

LP-HINT-PT-PSMH

PRODUCT SPECIFICATION

Material description



LP Hint

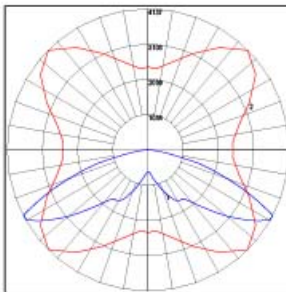
LP-HINT-PT-PSMH

PRODUCT SPECIFICATION

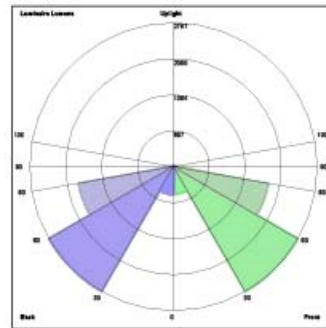
Light Measurements

Photometric Report: LP HINT-1-150W-MH-T55-DOME
 Report No.: ITL59607
 Poulсен Report No.: LP HINT-1-150W-MH-T55-DOME
 Luminaire: LP HINT
 Lamp: 1/150W/MH/ED17
 Efficiency: 75%

Description: All data shown are per 14000 lumens. This report can be used for calculation on all versions listed below. Use only actual lumen data calculating.



Candlepower Distribution	
Vertical Angle	Candela
0	652
5	702
15	983
25	1483
35	1682
45	2256
55	2546
65	2030
75	887
90	0



LUMINAIRE CLASSIFICATION SYSTEM (LCS)

	Lumens	% Lamp	% Luminaire
FL - Front-Low (0-30)	528.3	3.8	5.0
FM - Front-Medium (30-60)	2787.3	19.9	28.5
FH - Front-High (60-80)	1865.3	13.3	17.7
FVH - Front-Very High (80-90)	78.0	0.6	0.7
BL - Back-Low (0-30)	528.3	3.8	5.0
BM - Back-Medium (30-60)	2787.3	19.9	28.5
BH - Back-High (60-80)	1865.3	13.3	17.7
BVH - Back-Very High (80-90)	78.0	0.6	0.7
UL - Uplight-Low (90-100)	0.0	0.0	0.0
UH - Uplight-High (100-180)	0.0	0.0	0.0
Total	10517.8	75.2	100.0

BUG Rating B3-U0-G2

Zonal Lumen Summary

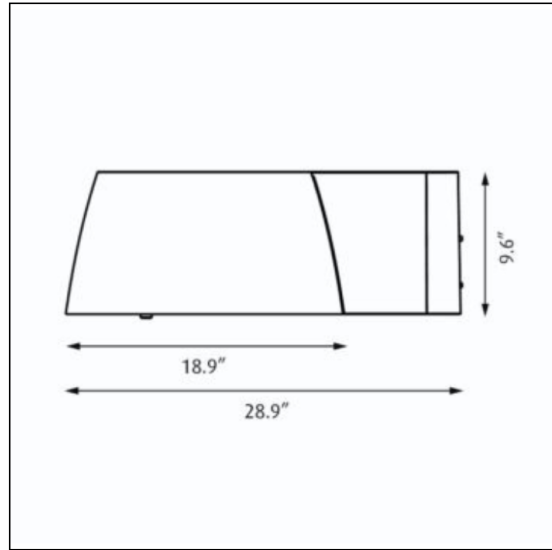
Zone	Lumens	% Lamp	% Fixture
0-20	370.11	2.60	3.50
0-30	1056.61	7.50	10.00
0-40	2154.99	15.40	20.50
0-60	6631.18	47.40	63.00
0-80	10361.81	74.00	98.50
0-90	10517.8	75.10	100.00
10-90	10446.59	74.60	99.30
20-40	1784.87	12.70	17.00
20-50	3575.52	25.50	34.00
40-70	7044.21	50.30	67.00
60-80	3730.63	26.60	35.50
70-80	1162.61	8.30	11.10
80-90	155.99	1.10	1.50
90-110	0.00	0.00	0.00
90-120	0.00	0.00	0.00
90-130	0.00	0.00	0.00
90-150	0.00	0.00	0.00
90-180	0.00	0.00	0.00
110-180	0.00	0.00	0.00
0-180	10517.8	75.10	100.00

LP Hint

LP-HINT-PT-CMH

PRODUCT SPECIFICATION

Product description



Design Helena Tatjana Eliason

Concept The fixture emits light directed mainly downwards. The fixture is available in three diffuser variants. The basic and dome versions have a clear diffuser and have a 100% downward light distribution. The opal version has an opal acrylic top which helps to illuminate the actual fixture while also functioning as a directional marker. Furthermore the opal version is also available with an acrylic lower shade which emits a glowing decorative lighting effect.

Finish Natural painted aluminum, powder coated.

Material Top diffuser: Injection molded opal acrylic. Top dome: Spun aluminum. Reflector: Pre-anodized segmented high reflectance aluminum. Housing: Die cast aluminum. Lower shade: Flat heat tempered glass or convex acrylic shade.

Mounting Post top: Mounted on round straight aluminum (RSA) pole.

Weight Max. 35.3 lbs.

Label cULus, Wet location. IBEW.

Product Code	Light source	Voltage	Finish	Distribution/Trim	Shade	Transition to pole
LP-HINT	1/150W/CMH/T-6 G12	120/277V	NAT PAINT ALU	T3	BASIC	T-RSA-4.5"
	1/150W/MH/ED-17 medium	120-277V		T5SQ	DOME	
	1/250W/MH/ED-28 mogul				OPAL OPAL W/SHADE	

Specification notes

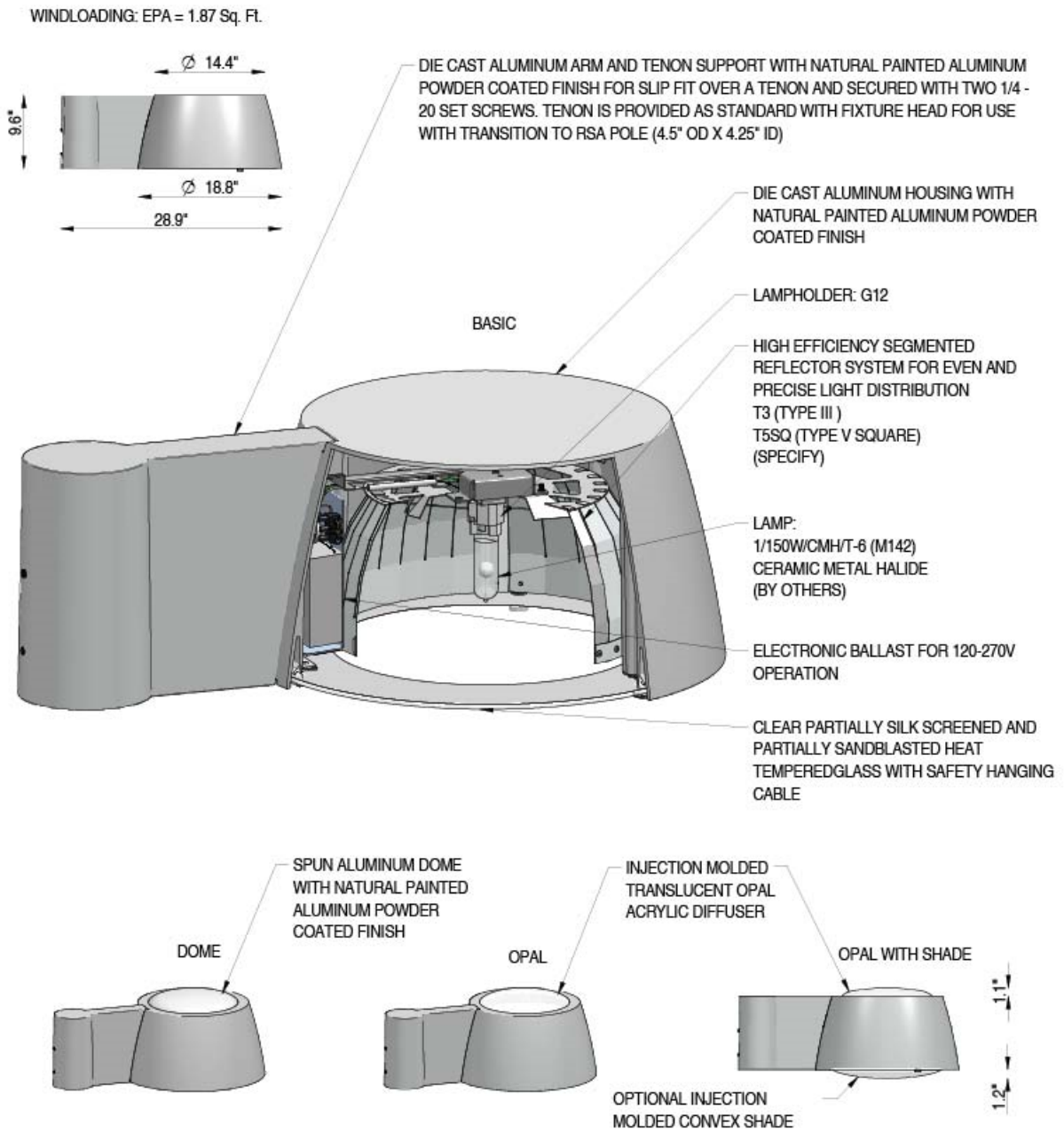
- a. 150W light source only available with 120-277V electronic ballast
- b. 250W light source only available with 120/277V f-can ballast
- c. 250W light source only available with DOME shade

LP Hint

LP-HINT-PT-CMH

PRODUCT SPECIFICATION

Material description



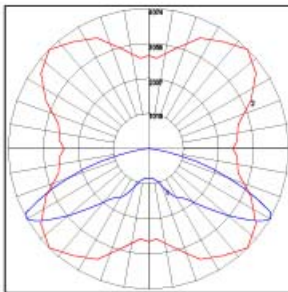
LP Hint

LP-HINT-PT-CMH

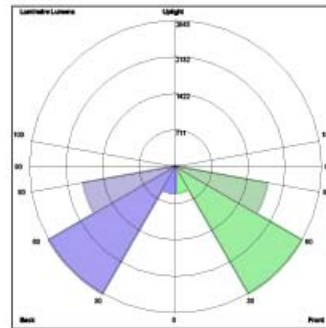
PRODUCT SPECIFICATION

Light Measurements

Photometric Report: LP HINT-1-150W-CMH-T55-DOME
 Report No.: ITL59604
 Poulsen Report No.: LP HINT-1-150W-CMH-T55-DOME
 Luminaire: LP HINT
 Lamp: 1/150W/CMH/T6 G12
 Efficiency: 75%
 Description: All data shown are per 14000 lumens. This report can be used for calculation on all versions listed below. Use only actual lumen data calculating.



Candlepower Distribution	
Vertical Angle	Candela
0	858
5	865
15	941
25	1280
35	1685
45	2271
55	2522
65	1824
75	817
90	0



LUMINAIRE CLASSIFICATION SYSTEM (LCS)

	Lumens	% Lamp	% Luminaire
FL - Front-Low (0-30)	505.1	3.6	4.8
FM - Front-Medium (30-60)	2843.2	20.3	27.1
FH - Front-High (60-80)	1818.4	13.0	17.4
FVH - Front-Very High (80-90)	70.2	0.5	0.7
BL - Back-Low (0-30)	505.1	3.6	4.8
BM - Back-Medium (30-60)	2843.2	20.3	27.1
BH - Back-High (60-80)	1818.4	13.0	17.4
BVH - Back-Very High (80-90)	70.2	0.5	0.7
UL - Uplight-Low (90-100)	0.0	0.0	0.0
UH - Uplight-High (100-180)	0.0	0.0	0.0
Total	10473.8	74.8	100.0

BUG Rating B3-U0-G2

Zonal Lumen Summary

Zone	Lumens	% Lamp	% Fixture
0-20	369.32	2.60	3.50
0-30	1010.14	7.20	9.60
0-40	2112.24	15.10	20.20
0-60	6696.47	47.80	63.90
0-80	10333.31	73.80	98.70
0-90	10473.68	74.80	100.00
10-90	10389.96	74.20	99.20
20-40	1742.93	12.40	16.60
20-50	3568.16	25.50	34.10
40-70	7117.88	50.80	68.00
60-80	3636.84	26.00	34.70
70-80	1103.18	7.90	10.50
80-90	140.38	1.00	1.30
90-110	0.00	0.00	0.00
90-120	0.00	0.00	0.00
90-130	0.00	0.00	0.00
90-150	0.00	0.00	0.00
90-180	0.00	0.00	0.00
110-180	0.00	0.00	0.00
0-180	10473.68	74.80	100.00