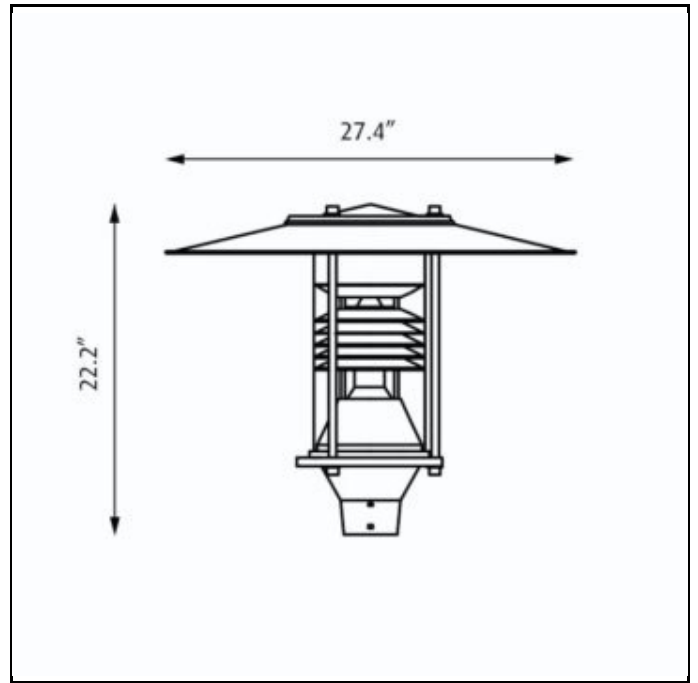


# Kastrup



**Design** Bennet Windinge & Povl Ernst Hoff

**Concept** The fixture's built-in reflector emits symmetric light directed downwards. The reflector's matte upper surfaces and shiny lower surfaces ensure very limited glare. The inner surface of the top shade is painted white, providing soft, evenly distributed light.

**Finish** Copper, brushed.

**Material** Material: Top shade: Spun copper. Enclosure: Clear acrylic. Reflector: Spun matte and polished aluminum. Base: Die cast aluminum. Struts: Stainless steel.

**Mounting** Post top: Mounted on dual round aluminum (DRA) or round straight aluminum (RSA) pole.

**Weight** Max. 19 lbs.

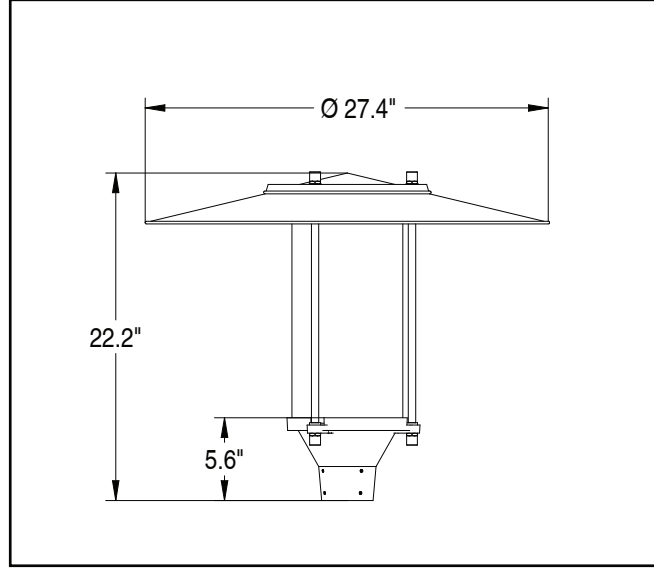
**Label** cULus, Wet location. IBEW.

Product Code	Light source	Voltage	Finish	Electric shock protect.	Transition to pole	Features
KAT	1/150W/CMH/T-6 G12 57W LED/3000K 57W LED/4000K	120-277V	COP	NOT APPLICABLE SURGE PROTECTOR	T-DRA-5"-3" T-RSA-4.5"	DIM 0-10V NOT APPLICABLE

**Specification notes**

a. SURGE PROTECTOR and DIM 0-10V only available with LED light source.

Design: Bennet Windinge & Povl Ernst Hoff



1440343000

Light source	Voltage	Weight	Electric shock protection	Ingress protection
57W/LED	120-277 V	19 lbs	Cl.	IP 44 , Wet location

**Recommended cleaning substances:**

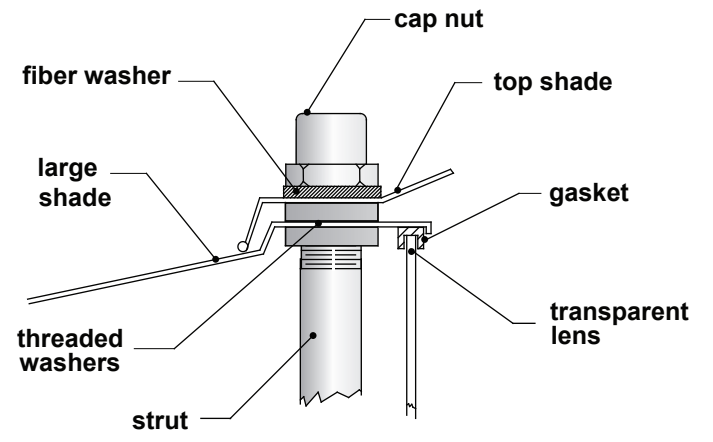
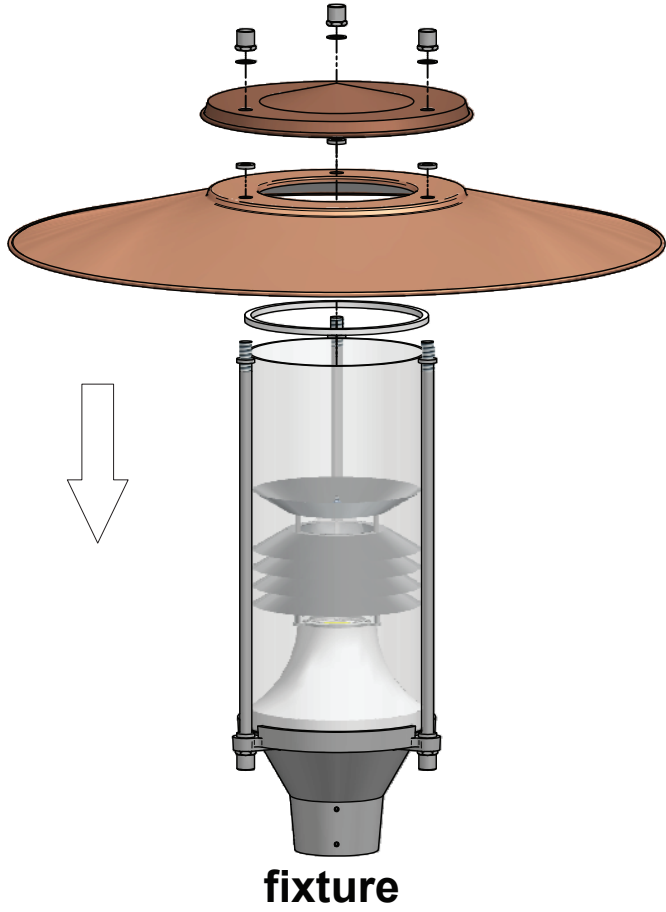
Wipe off dust with a dry, soft cloth. Remove greasy spots etc. with a soft cloth dampened in lukewarm water (<122° F/ 50° C) with a mild detergent.

**Warning:** Scouring powder and similar substances will scratch surfaces.

All installation is subject to local code and jurisdiction.

Consult a qualified electrician to ensure correct branch circuit conductor.

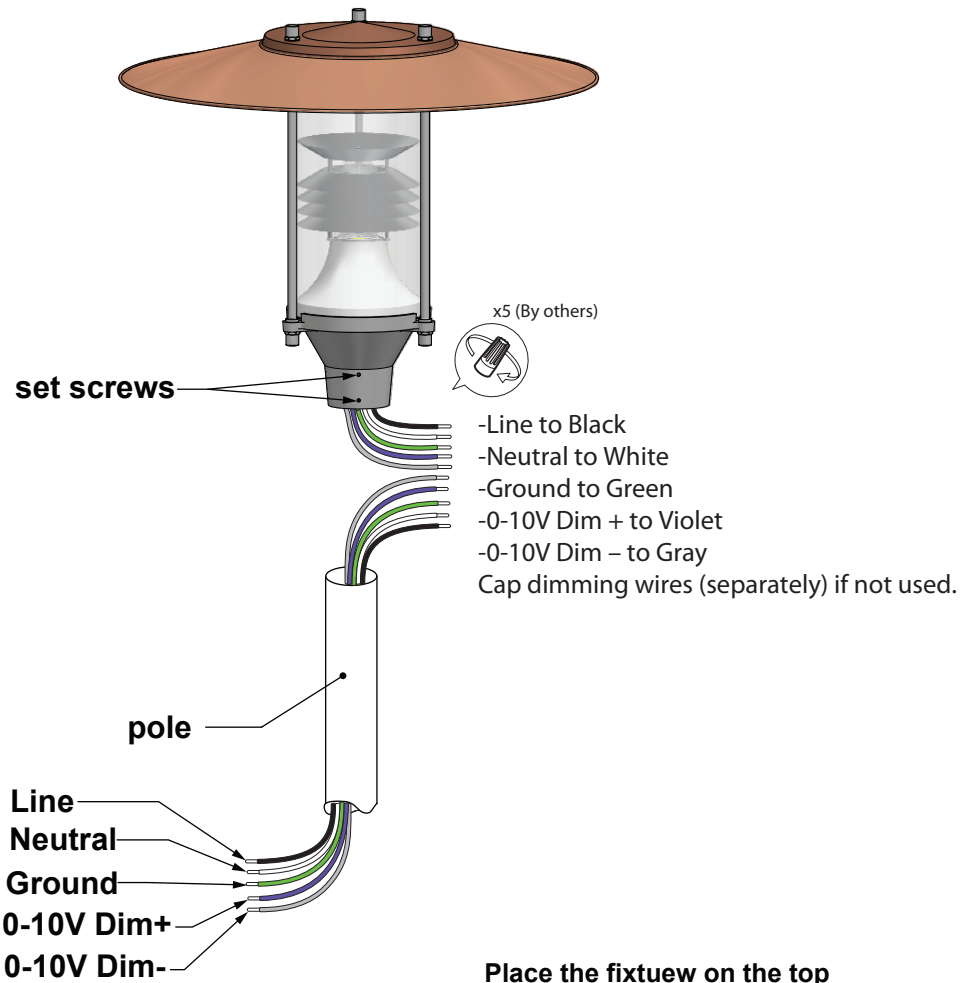
The installer must ensure that the foundation is stable and can support the luminaire's weight.



(Fig.1)

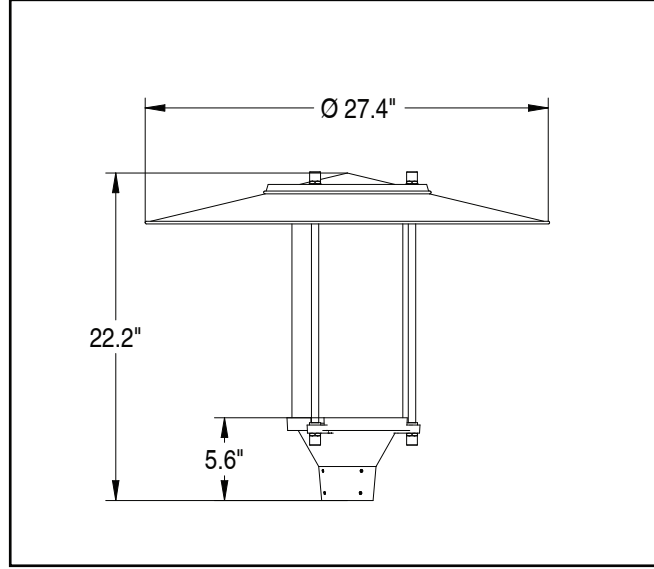
**Installation of shades:**

Assemble the fixture, large shade and top shade as shown here. Ensure that the fiber washers are used on the top shade assembly only. The transparent lens should be secure and not loose after installation of both shades. See (Fig.1) for detail assembly view.



Place the fixture on the top of the 3" Dia. tenon or pole and secure with (4) (1/4"-20) set screws

Design: Bennet Windinge & Povl Ernst Hoff



1440343000

Light source	Voltage	Weight	Electric shock protection	Ingress protection
1/150W/CMH/T-6 G12	120-277 V	19 lbs	Cl.	IP 44 , Wet location

**Recommended cleaning substances:**

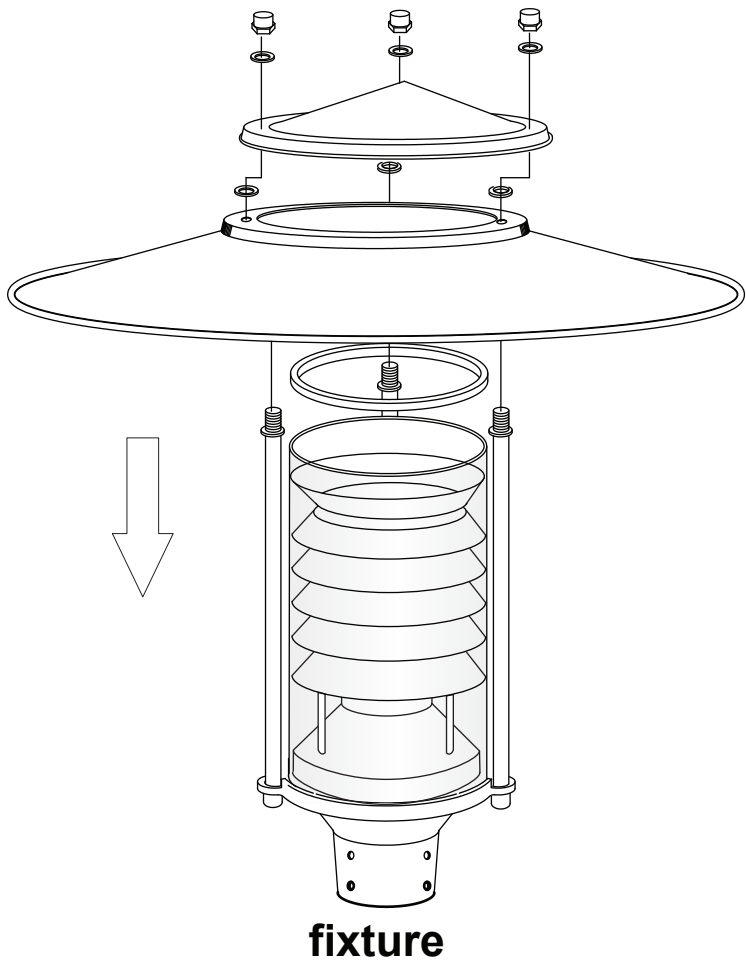
Wipe off dust with a dry, soft cloth. Remove greasy spots etc. with a soft cloth dampened in lukewarm water (<122° F/ 50° C) with a mild detergent.

**Warning:** Scouring powder and similar substances will scratch surfaces.

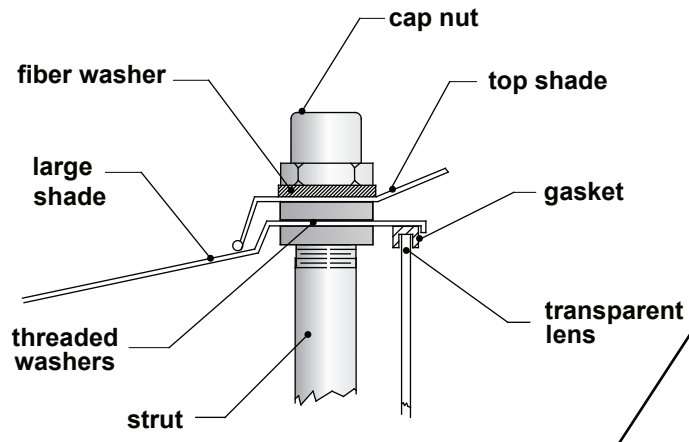
All installation is subject to local code and jurisdiction.

Consult a qualified electrician to ensure correct branch circuit conductor.

The installer must ensure that the foundation is stable and can support the luminaire's weight.



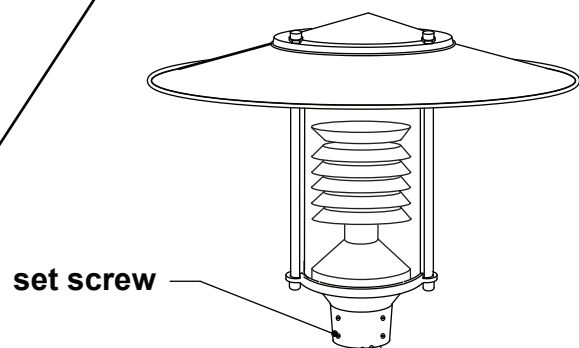
fixture



(Fig.1)

**Installation of shades:**

Assemble the fixture, large shade and top shade as shown here. Ensure that the fiber washers are used on the top shade assembly only. The transparent lens should be secure and not loose after installation of both shades. See (Fig.1) for detail assembly view.



set screw

pole

black  
white  
ground wire

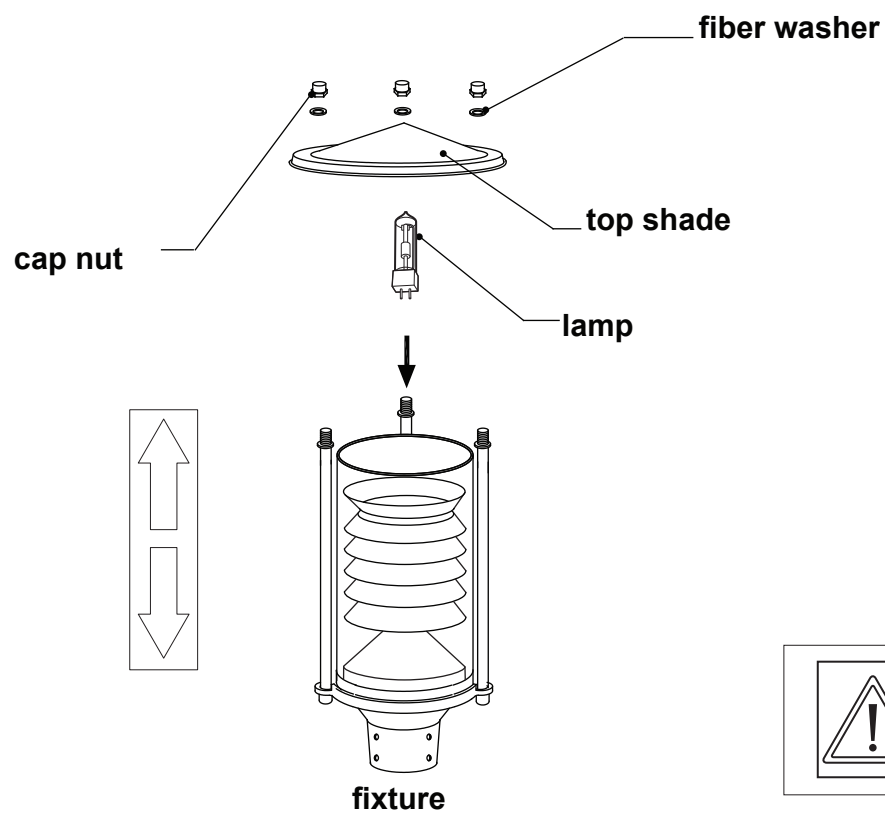
- Green to Green (ground)
  - White to White
  - Black to Black
- x 3

Place the fixture on the top of the 3" Dia. tenon or pole and secure with (4) (1/4"-20)



**Relamping:**

Remove cap nuts, fiber washers and top shade. Install lamp (light source) as specified.



fixture

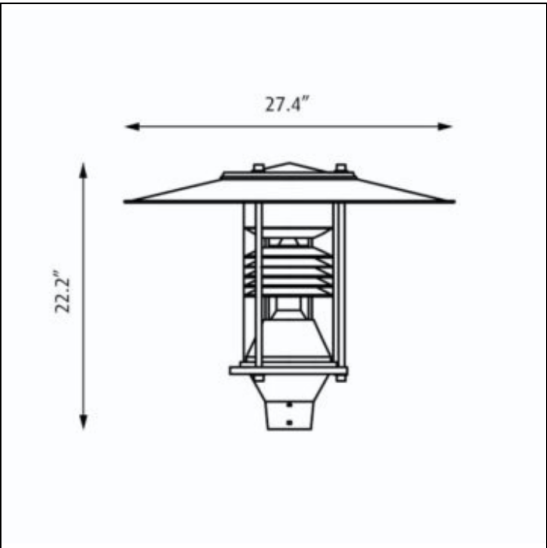
Use only light source in accordance to the lamp replacement label on the luminaire

# Kastrup

KAT-57W-LED

PRODUCT SPECIFICATION

## Product description



- Design** Bennet Windinge & Povl Ernst Hoff
- Concept** The fixture's built-in reflector emits symmetric light directed downwards. The reflector's matte upper surfaces and shiny lower surfaces ensure very limited glare. The inner surface of the top shade is painted white, providing soft, evenly distributed light.
- Finish** Copper, brushed.
- Material** Material: Top shade: Spun copper. Enclosure: Clear acrylic. Reflector: Spun matte and polished aluminum. Base: Die cast aluminum. Struts: Stainless steel.
- Mounting** Post top: Mounted on dual round aluminum (DRA) or round straight aluminum (RSA) pole.
- Weight** Max. 19 lbs.
- Label** cULus, Wet location. IBEW.

Product Code	Light source	Voltage	Finish	Electric shock protect.	Transition to pole	Features
KAT	1/150W/CMH/T-6 G12 57W LED/3000K 57W LED/4000K	120-277V	COP	NOT APPLICABLE SURGE PROTECTOR	T-DRA-5"-3" T-RSA-4.5"	DIM 0-10V NOT APPLICABLE

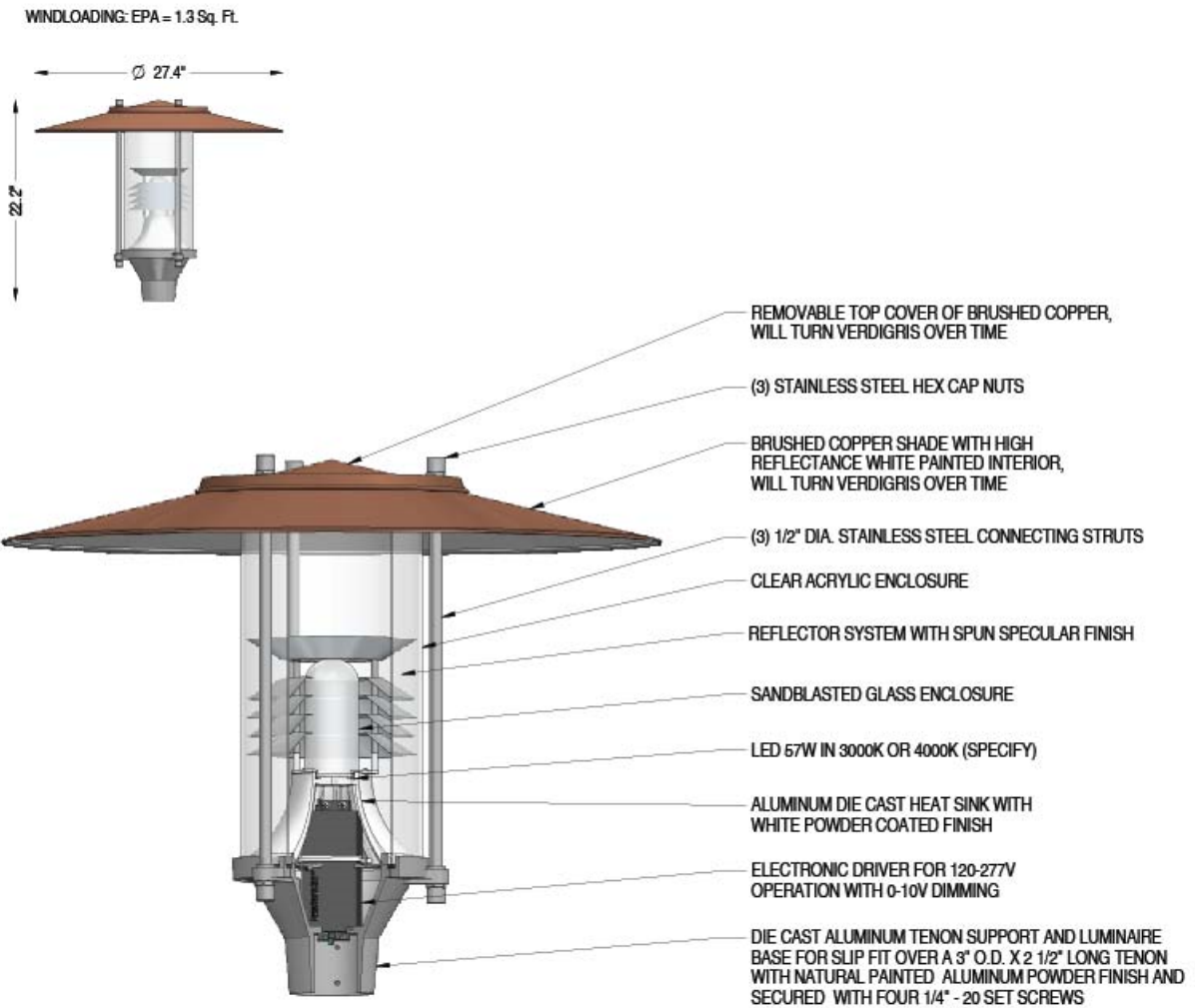
Specification notes  
 a. SURGE PROTECTOR and DIM 0-10V only available with LED light source.

# Kastrup

KAT-57W-LED

PRODUCT SPECIFICATION

## Material description



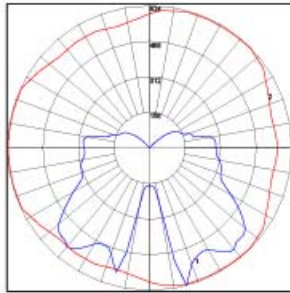
**NOTES:**

LED WATTAGES SPECIFIED ARE SYSTEM POWDER LED TECHNOLOGY IS RAPIDLY CHANGING. LEDS ARE MADE IN LOTS AND SORTED INTO BINS BASED ON WAVELENGTHS RANGES THAT ACHIEVE COLORS. PRODUCTS ORDERED AT DIFFERENT TIMES MAY NOT HAVE THE SAME COLOR APPEARANCE.

## Light Measurements

Photometric Report: KAT-57W-LED  
 Report No.: IFL82456  
 Poulsen Report No.: KAT-57W-LED  
 Luminaire: KASTRUP  
 Lamp: 57W/LED/4000K

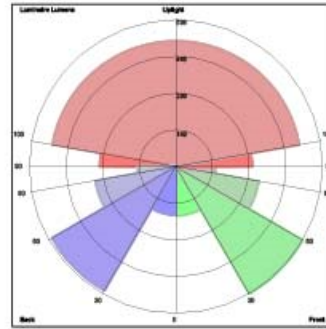
Description: All data shown are per 3388 lumens. This report can be used for calculation on all versions listed below. Use only actual lumen data calculating.



Candlepower Distribution	
Vertical Angle	Candela
0	170.6
5	169.5
15	562.6
25	457.9
35	491.4
45	471.9
55	416.8
65	308.8
75	286.2
90	246.2
125	112.3
150	0
180	0

Zonal Lumen Summary

Zone	Lumens	% Lamp	% Fixture
0-20	165.44	N.A.	4.90
0-30	394.87	N.A.	11.70
0-40	735.86	N.A.	21.70
0-60	1575.54	N.A.	46.50
0-80	2251.74	N.A.	66.50
0-90	2567.43	N.A.	75.80
10-90	2548.76	N.A.	75.20
20-40	570.42	N.A.	16.80
20-50	995.09	N.A.	29.40
40-70	1183.49	N.A.	34.90
60-80	676.20	N.A.	20.00
70-80	332.39	N.A.	9.80
80-90	315.69	N.A.	9.30
90-110	532.05	N.A.	15.70
90-120	682.21	N.A.	20.10
90-130	786.08	N.A.	23.20
90-150	820.70	N.A.	24.20
90-180	820.70	N.A.	24.20
110-180	288.64	N.A.	8.50
0-180	3388.12	N.A.	100.00

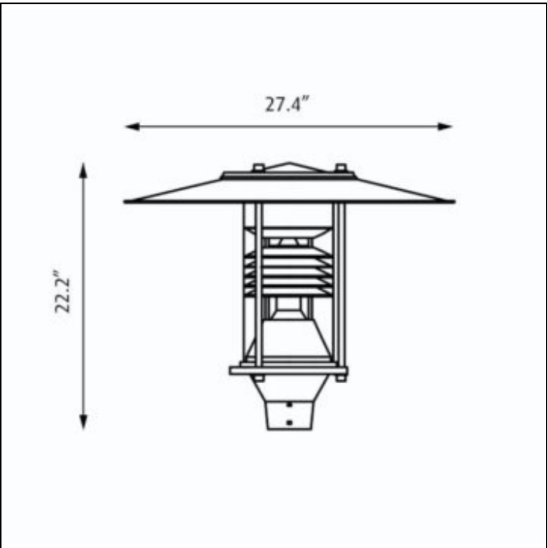


LUMINAIRE CLASSIFICATION SYSTEM (LCS)

	Lumens	% Lamp	% Lum
FL - Front-Low (0-30)	199.5	N.A.	5.9
FM - Front-Medium (30-60)	597.6	N.A.	17.6
FH - Front-High (60-90)	342.8	N.A.	10.1
FVH - Front-Very High (80-90)	159.5	N.A.	4.7
BL - Back-Low (0-30)	195.4	N.A.	5.8
BM - Back-Medium (30-60)	583.1	N.A.	17.2
BH - Back-High (60-90)	333.4	N.A.	9.8
BVH - Back-Very High (80-90)	156.2	N.A.	4.6
UL - Uplight-Low (90-100)	309.7	N.A.	9.1
UH - Uplight-High (100-180)	511.0	N.A.	15.1
<b>Total</b>	<b>3388.2</b>	<b>N.A.</b>	<b>100.0</b>
BUG Rating	B1-U4-G2		



## Product description



- Design** Bennet Windinge & Povl Ernst Hoff
- Concept** The fixture's built-in reflector emits symmetric light directed downwards. The reflector's matte upper surfaces and shiny lower surfaces ensure very limited glare. The inner surface of the top shade is painted white, providing soft, evenly distributed light.
- Finish** Copper, brushed.
- Material** Material: Top shade: Spun copper. Enclosure: Clear acrylic. Reflector: Spun matte and polished aluminum. Base: Die cast aluminum. Struts: Stainless steel.
- Mounting** Post top: Mounted on dual round aluminum (DRA) or round straight aluminum (RSA) pole.
- Weight** Max. 19 lbs.
- Label** cULus, Wet location. IBEW.

Product Code	Light source	Voltage	Finish	Electric shock protect.	Transition to pole	Features
KAT	1/150W/CMH/T-6 G12	120-277V	COP	NOT APPLICABLE	T-DRA-5"-3"	DIM 0-10V
	57W LED/3000K			SURGE PROTECTOR	T-RSA-4.5"	NOT APPLICABLE
	57W LED/4000K					

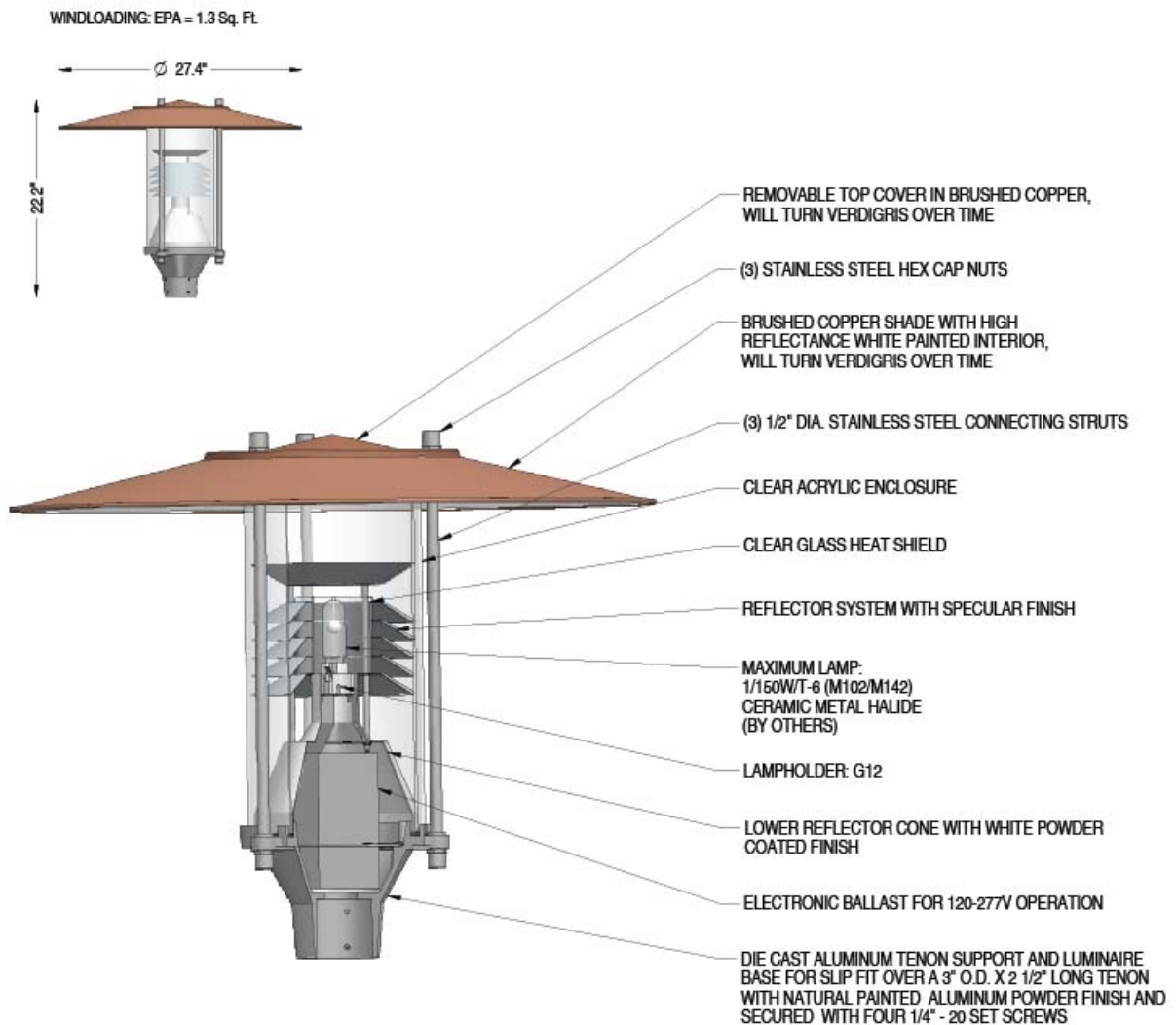
Specification notes  
 a. SURGE PROTECTOR and DIM 0-10V only available with LED light source.

# Kastrup

KAT\_1-150W

PRODUCT SPECIFICATION

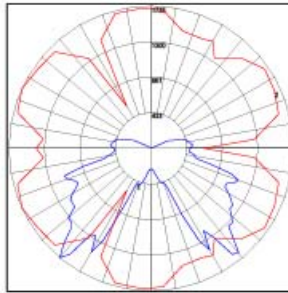
## Material description



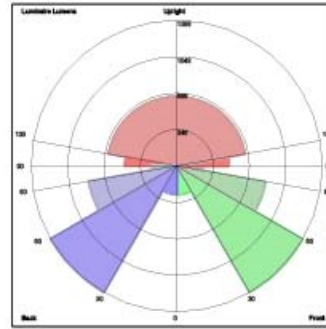
## Light Measurements

Photometric Report: KAT-1-150W-CMH  
 Report No.: ITL57535  
 Poulsen Report No.: KAT-1-150W-CMH  
 Luminaire: KASTRUP  
 Efficiency: 48%  
 Lamp: 1/150W/CMH/T-6 G12

Description: All data shown are per 14000 lumens. This report can be used for calculation on all versions listed below. Use only actual lumen data calculating.



Candlepower Distribution	
Vertical Angle	Candela
0	257
5	267
15	400
25	559
35	611
45	567
55	448
65	387
75	334
90	327
125	13
150	0
180	0



### LUMINAIRE CLASSIFICATION SYSTEM (LCS)

	Lumens	% Lamp	% Lum
FL - Front-Low (0-30)	274.2	2.0	4.1
FM - Front-Medium (30-60)	1397.9	10.0	20.9
FH - Front-High (60-80)	864.4	6.2	12.9
FVH - Front-Very High (80-90)	246.0	1.8	3.7
BL - Back-Low (0-30)	266.4	1.9	4.0
BM - Back-Medium (30-60)	1395.8	10.0	20.8
BH - Back-High (60-80)	857.3	6.1	12.8
BVH - Back-Very High (80-90)	236.3	1.7	3.5
UL - Uplight-Low (90-100)	494.5	3.5	7.4
UH - Uplight-High (100-180)	663.1	4.7	9.9
<b>Total</b>	<b>6695.9</b>	<b>47.9</b>	<b>100.0</b>
<b>BUG Rating</b>	<b>B2-U4-G3</b>		

### Zonal Lumen Summary

Zone	Lumens	% Lamp	% Fixture
0-20	145.11	1.00	2.20
0-30	540.61	3.90	8.10
0-40	1350.62	9.60	20.20
0-60	3334.26	23.80	49.80
0-80	5055.93	36.10	75.50
0-90	5538.22	39.60	82.70
10-90	5510.42	39.40	82.30
20-40	1205.51	8.60	18.00
20-50	2216.5	15.80	33.10
40-70	2925.39	20.90	43.70
60-80	1721.67	12.30	25.70
70-80	779.92	5.60	11.50
80-90	482.29	3.40	7.20
90-110	719.45	5.10	10.70
90-120	1038.07	7.40	15.50
90-130	1148.44	8.20	17.20
90-150	1157.34	8.30	17.30
90-180	1157.34	8.30	17.30
110-180	437.89	3.10	6.50
0-180	6695.56	47.80	100.00