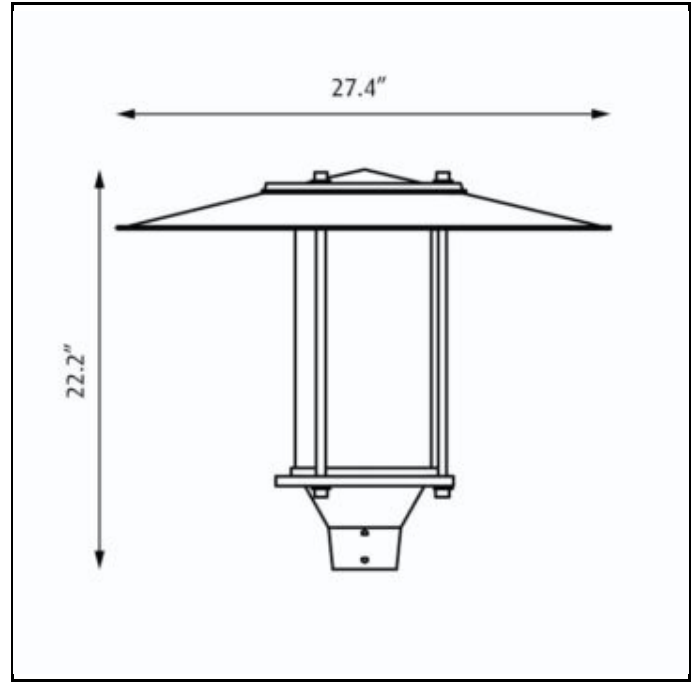


HW Patina



Design Bennet Windinge & Povl Ernst Hoff

Concept The fixture emits soft, diffuse and symmetric light. The inner surface of the top shade is painted white, ensuring soft, evenly distributed light. The opal polycarbonate diffuser provides decorative guiding light.

Finish Copper, brushed.

Material Top shade: Spun copper. Enclosure: Extruded white opal acrylic. Base: Die cast aluminum. Struts: Stainless steel.

Mounting Post top: Mounted on dual round aluminum (DRA) or round straight aluminum (RSA) pole.

Weight Max. 19 lbs.

Label cULus, Wet location. IBEW.

Product Code	Light source	Voltage	Finish	Electric shock protect.	Transition to pole	Features
PAT	1/150W/CMH/T-6 G12 25W LED/3000K 25W LED/4000K	120-277V	COP	NOT APPLICABLE SURGE PROTECTOR	T-DRA-5"-3" T-RSA-4.5"	DIM 0-10V NOT APPLICABLE

Specification notes

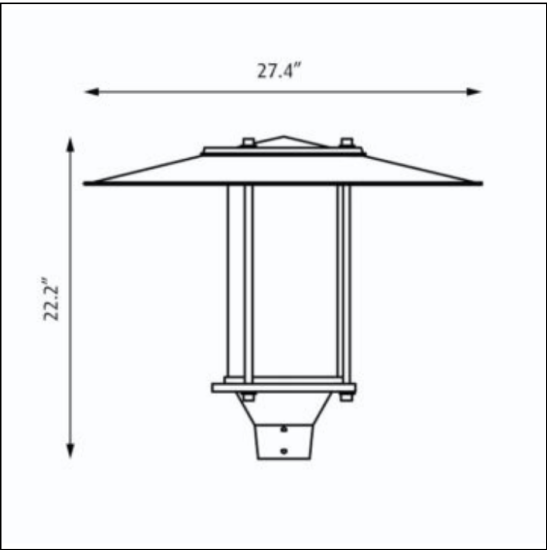
a. SURGE PROTECTOR & DIM 0-10V only available with LED light source.

HW Patina

PAT-LED

PRODUCT SPECIFICATION

Product description



- Design** Bennet Windinge & Povl Ernst Hoff
- Concept** The fixture emits soft, diffuse and symmetric light. The inner surface of the top shade is painted white, ensuring soft, evenly distributed light. The opal polycarbonate diffuser provides decorative guiding light.
- Finish** Copper, brushed.
- Material** Top shade: Spun copper. Enclosure: Extruded white opal acrylic. Base: Die cast aluminum. Struts: Stainless steel.
- Mounting** Post top: Mounted on dual round aluminum (DRA) or round straight aluminum (RSA) pole.
- Weight** Max. 19 lbs.
- Label** cULus, Wet location. IBEW.

Product Code	Light source	Voltage	Finish	Electric shock protect.	Transition to pole	Features
PAT	1/150W/CMH/T-6 G12 25W LED/3000K 25W LED/4000K	120-277V	COP	NOT APPLICABLE SURGE PROTECTOR	T-DRA-5"-3" T-RSA-4.5"	DIM 0-10V NOT APPLICABLE

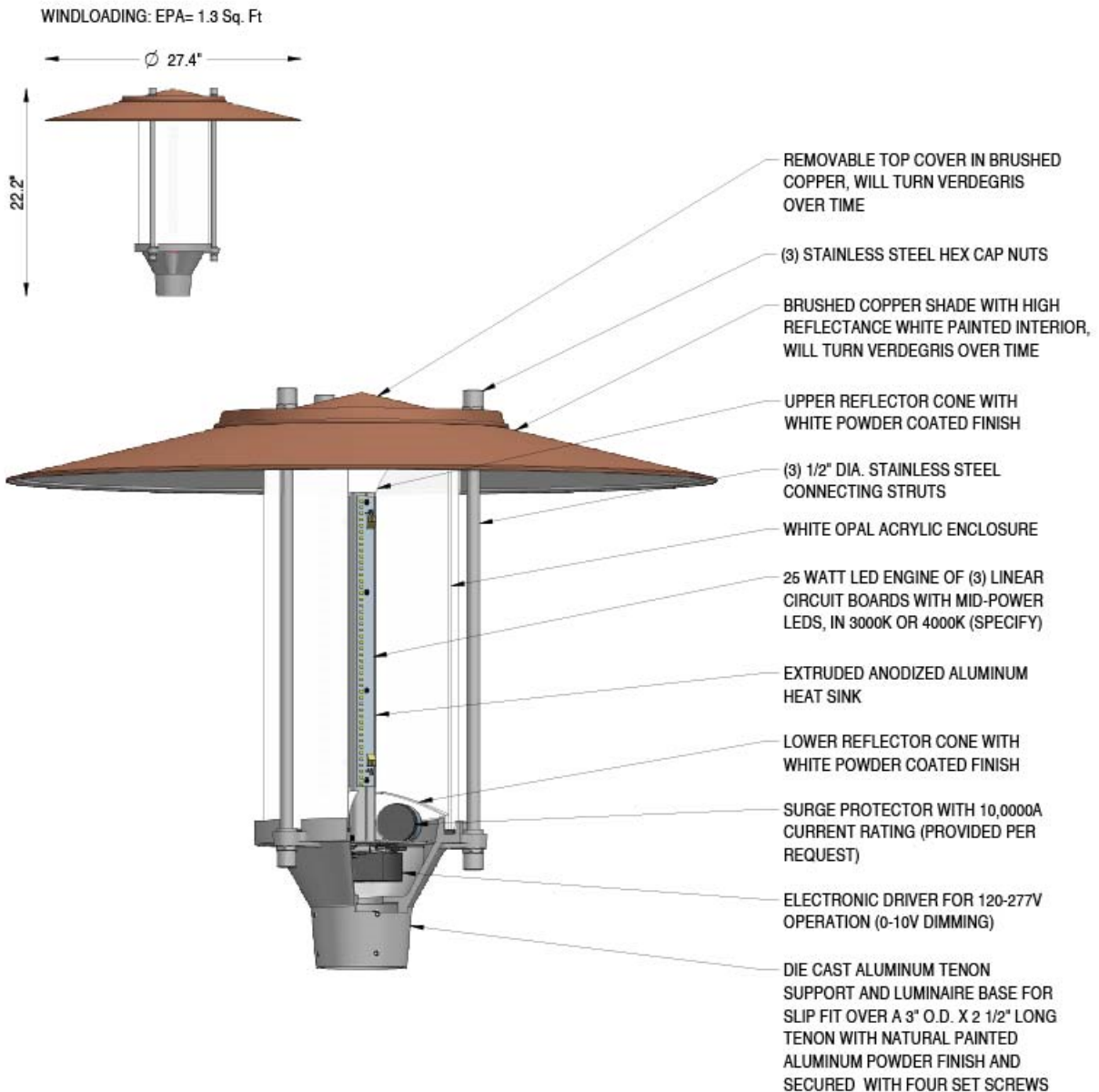
Specification notes
 a. SURGE PROTECTOR & DIM 0-10V only available with LED light source.

HW Patina

PAT-LED

PRODUCT SPECIFICATION

Material description



NOTES:

LED WATTAGES SPECIFIED ARE SYSTEM POWDER.

LED TECHNOLOGY IS RAPIDLY CHANGING. LEDES ARE MADE IN LOTS AND SORTED INTO BINS BASED ON WAVELENGTHS RANGES THAT ACHIEVE COLORS. PRODUCTS ORDERED AT DIFFERENT TIMES MAY NOT HAVE THE SAME COLOR APPEARANCE.

HW Patina

PAT-LED

PRODUCT SPECIFICATION

Light Measurements

Photometric Report: PAT-25W LED

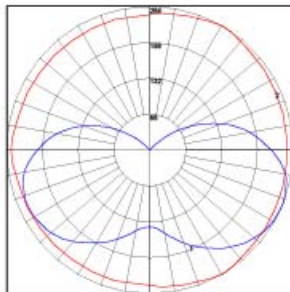
Report No.: IFL74406

Poulsen Report No.: PAT-25W LED

Luminaire: HW PATINA

Lamp: 25W LED/4000K

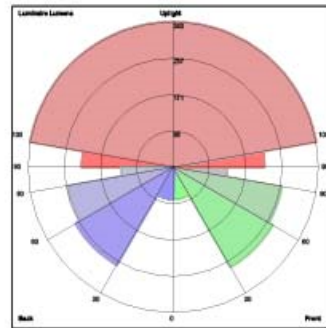
Description: All data shown are per 2005 lumens. This report can be used for calculation on all versions listed below. Use only actual lumen data calculating.



Candlepower Distribution	
Vertical Angle	Candela
0	142
5	144
15	184
25	188
35	211
45	232
55	248
65	251
75	248
90	214
120	88
150	0
180	0

Zonal Lumen Summary

Zone	Lumens	% Lamp	% Fixture
0-20	61.15	N.A.	3.00
0-30	149.21	N.A.	7.40
0-40	283.28	N.A.	14.10
0-60	686.27	N.A.	34.20
0-80	1198.47	N.A.	59.80
0-90	1447.42	N.A.	72.20
10-90	1433.36	N.A.	71.50
20-40	222.13	N.A.	11.10
20-50	403.25	N.A.	20.10
40-70	653.49	N.A.	32.60
60-80	512.20	N.A.	25.50
70-80	261.70	N.A.	13.10
80-90	248.96	N.A.	12.40
90-110	382.59	N.A.	19.10
90-120	491.91	N.A.	24.50
90-130	545.59	N.A.	27.20
90-150	557.76	N.A.	27.80
90-180	557.76	N.A.	27.80
110-180	175.17	N.A.	8.70
0-180	2005.19	N.A.	100.00



LUMINAIRE CLASSIFICATION SYSTEM (LCS)

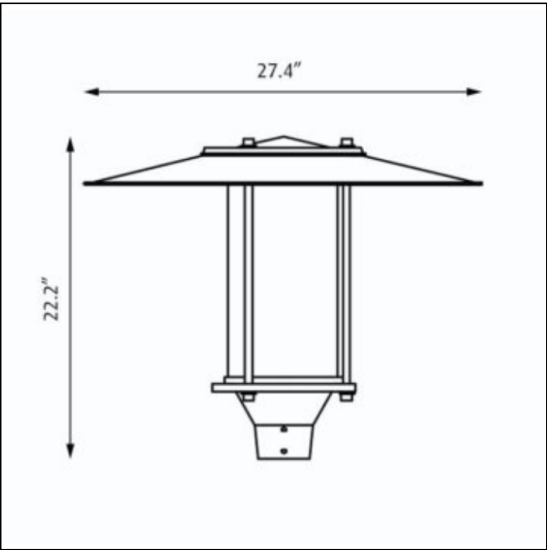
	Lumens	% Lamp	% Lum
FL - Front-Low (0-30)	75.0	N.A.	3.7
FM - Front-Medium (30-60)	271.5	N.A.	13.5
FH - Front-High (60-80)	260.2	N.A.	13.0
FVH - Front-Very High (80-90)	127.1	N.A.	6.3
BL - Back-Low (0-30)	74.2	N.A.	3.7
BM - Back-Medium (30-60)	265.6	N.A.	13.2
BH - Back-High (60-80)	252.0	N.A.	12.6
BVH - Back-Very High (80-90)	121.8	N.A.	6.1
UL - Uplight-Low (90-100)	215.1	N.A.	10.7
UH - Uplight-High (100-180)	342.7	N.A.	17.1
Total	2005.2	N.A.	100.0
BUG Rating	B1-U3-G2		

HW Patina

PAT-CMH

PRODUCT SPECIFICATION

Product description



- Design** Bennet Windinge & Povl Ernst Hoff
- Concept** The fixture emits soft, diffuse and symmetric light. The inner surface of the top shade is painted white, ensuring soft, evenly distributed light. The opal polycarbonate diffuser provides decorative guiding light.
- Finish** Copper, brushed.
- Material** Top shade: Spun copper. Enclosure: Extruded white opal acrylic. Base: Die cast aluminum. Struts: Stainless steel.
- Mounting** Post top: Mounted on dual round aluminum (DRA) or round straight aluminum (RSA) pole.
- Weight** Max. 19 lbs.
- Label** cULus, Wet location. IBEW.

Product Code	Light source	Voltage	Finish	Electric shock protect.	Transition to pole	Features
PAT	1/150W/CMH/T-6 G12 25W LED/3000K 25W LED/4000K	120-277V	COP	NOT APPLICABLE SURGE PROTECTOR	T-DRA-5"-3" T-RSA-4.5"	DIM 0-10V NOT APPLICABLE

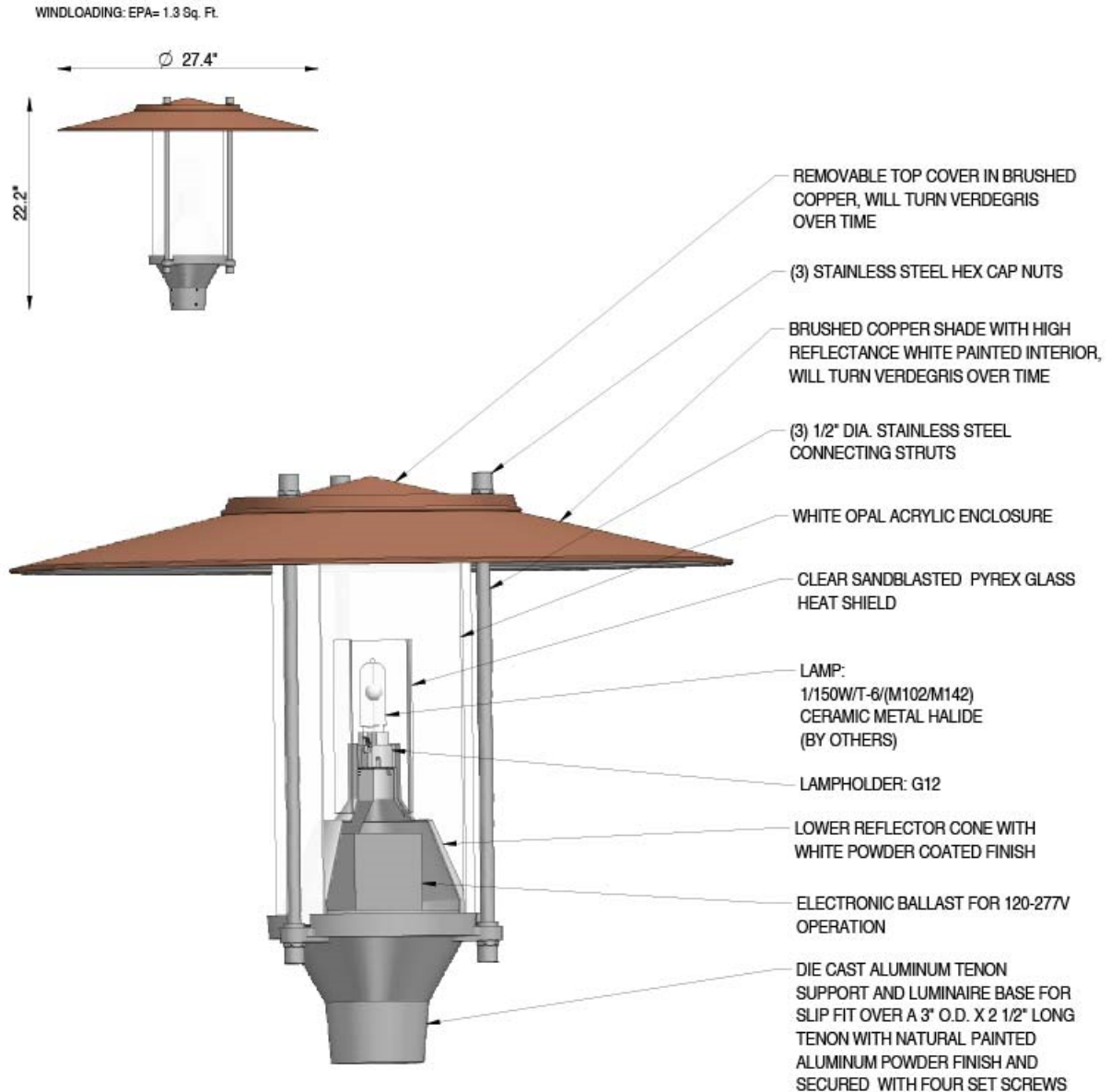
Specification notes
 a. SURGE PROTECTOR & DIM 0-10V only available with LED light source.

HW Patina

PAT-CMH

PRODUCT SPECIFICATION

Material description



HW Patina

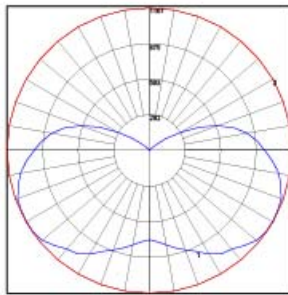
PAT-CMH

PRODUCT SPECIFICATION

Light Measurements

Photometric Report: PAT-1-150W-CMH
 Report No.: 26047900007 Louis Poulsen Lighting A/S
 Poulsen Report No.: PAT-1-150W-CMH
 Luminaire: HW PATINA
 Efficiency: 65%
 Lamp: 1/150W/CMH/T6-G12

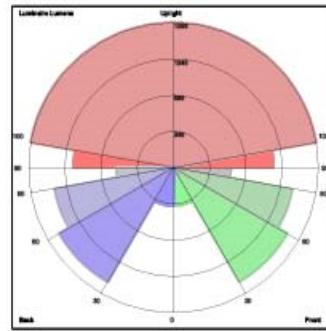
Description: All data shown are per 14000 lumens. This report can be used for calculation on all versions listed below. Use only actual lumen data calculating.



Candlepower Distribution	
Vertical Angle	Candela
0	728.7
5	749.8
15	825.3
25	911.9
35	1030.8
45	1098.7
55	1188.9
65	1159.3
75	1112.9
90	944.7
120	298.4
150	1.1
180	1.2

Zonal Lumen Summary

Zone	Lumens	% Lamp	% Fixture
0-20	307.28	2.20	3.40
0-30	732.89	5.20	8.10
0-40	1376.4	9.80	15.20
0-60	3268.88	23.30	36.10
0-80	5595.11	40.00	61.80
0-90	6699.07	47.90	73.90
10-90	6626.53	47.30	73.10
20-40	1069.12	7.60	11.80
20-50	1920.44	13.70	21.20
40-70	3041.95	21.70	33.60
60-80	2326.23	16.60	25.70
70-80	1176.76	8.40	13.00
80-90	1103.96	7.90	12.20
90-110	1715.31	12.30	18.90
90-120	2162.11	15.40	23.90
90-130	2326.08	16.60	25.70
90-150	2360.01	16.90	26.00
90-180	2360.98	16.90	26.10
110-180	645.67	4.60	7.10
0-180	9060.05	64.70	100.00

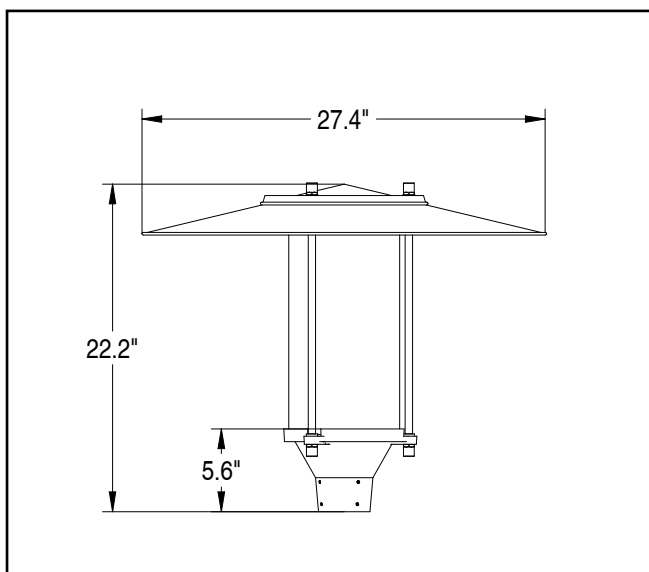


LUMINAIRE CLASSIFICATION SYSTEM (LCS)

	Lumens	% Lamp	% Lum
FL - Front-Low (0-30)	366.4	2.6	4.0
FM - Front-Medium (30-60)	1268.0	9.1	14.0
FH - Front-High (60-80)	1163.1	8.3	12.8
FVH - Front-Very High (80-90)	552.0	3.9	6.1
BL - Back-Low (0-30)	366.4	2.6	4.0
BM - Back-Medium (30-60)	1268.0	9.1	14.0
BH - Back-High (60-80)	1163.1	8.3	12.8
BVH - Back-Very High (80-90)	552.0	3.9	6.1
UL - Uplight-Low (90-100)	963.3	6.9	10.6
UH - Uplight-High (100-180)	1397.7	10.0	15.4
Total	9060.0	64.7	100.0
BUG Rating	B3-U5-G4		

HW Patina LED

Design: Bennet Windinge & Povl Ernst Hoff



10000114559

Light source	Voltage	Weight	Electric shock protection	Ingress protection
25W LED/3000K 25W LED/4000K	120-277V	19 lbs	Cl.	IP 44 , Wet location

Recommended cleaning substances:

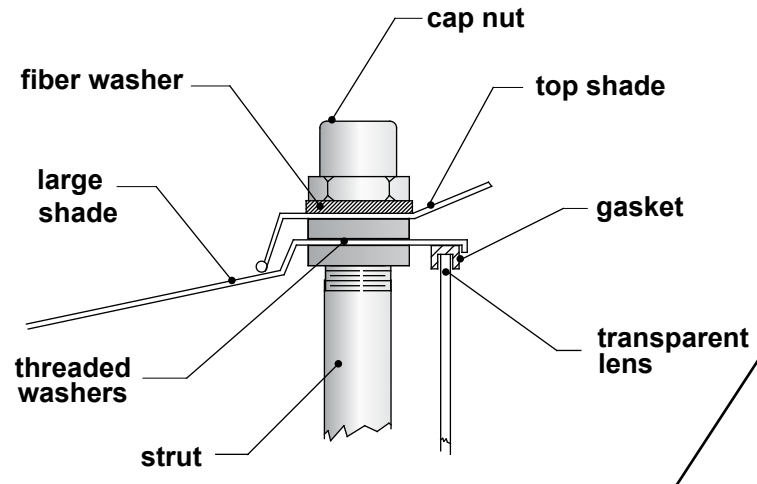
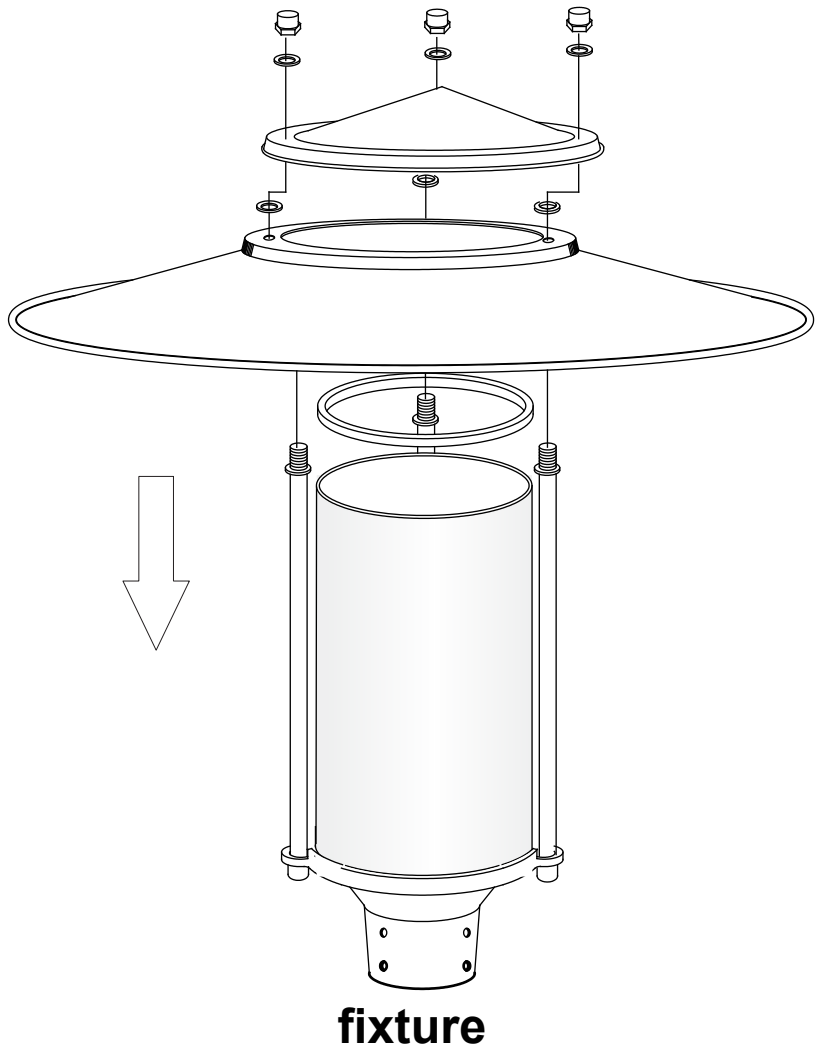
Wipe off dust with a dry, soft cloth. Remove greasy spots etc. with a soft cloth dampened in lukewarm water (<122° F/ 50° C) with a mild detergent.

Warning: Scouring powder and similar substances will scratch surfaces.

All installation is subject to local code and jurisdiction.

Consult a qualified electrician to ensure correct branch circuit conductor.

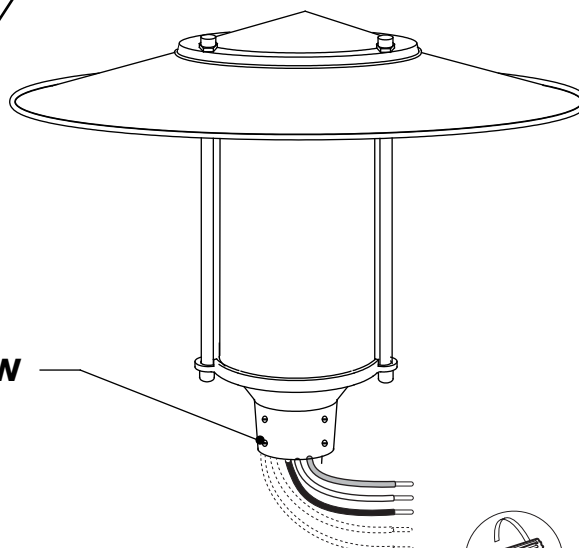
The installer must ensure that the foundation is stable and can support the luminaire's weight.



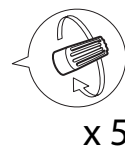
Installation of shades:

Assemble the fixture, large shade and top shade as shown here. Ensure that the fiber washers are used on the top shade assembly only. The transparent lens should be secure and not loose after installation of both shades. See (Fig.1) for detail assembly view.

set screw



- Green to Green (ground)
 - White to White (neutral)
 - Black to Black (line)
 - Grey to Grey (Dim-)
 - Violet to Violet (Dim+)
- Not for Dynadimming.



Grey and Violet only to be connected to a 0-10V dimming signal, otherwise cap them.

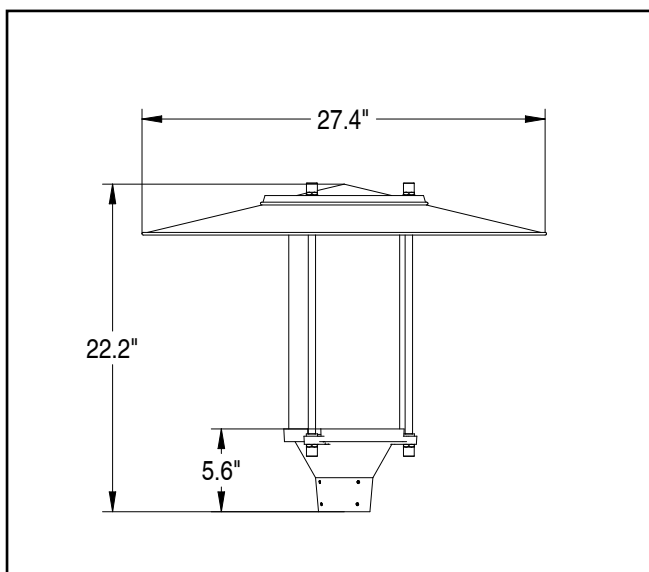
pole

Not for Dynadimming.

- violet
- grey
- black
- white
- ground wire

Place the fixture on the top of the 3" Dia. tenon or pole and secure with (4) (1/4"-20)

Design: Bennet Windinge & Povl Ernst Hoff



1440333000

Light source	Voltage	Weight	Electric shock protection	Ingress protection
1/150W/CMH/T-6 G12	120-277 V	19 lbs	Cl.	IP 44 , Wet lac ation

Recommended cleaning substances:

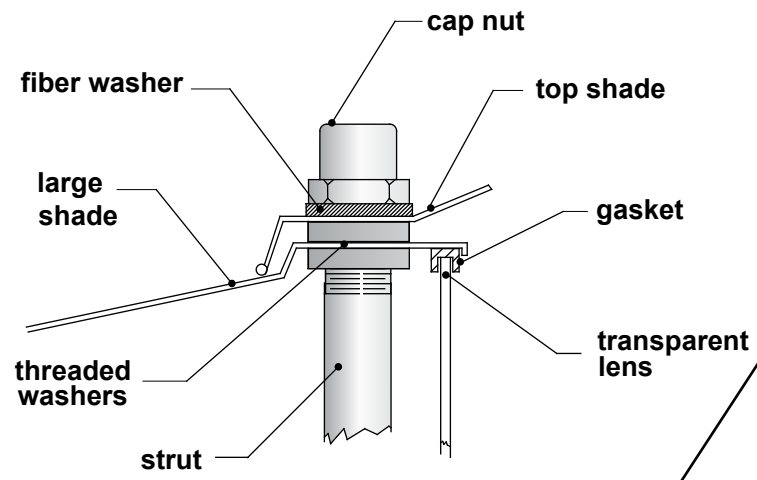
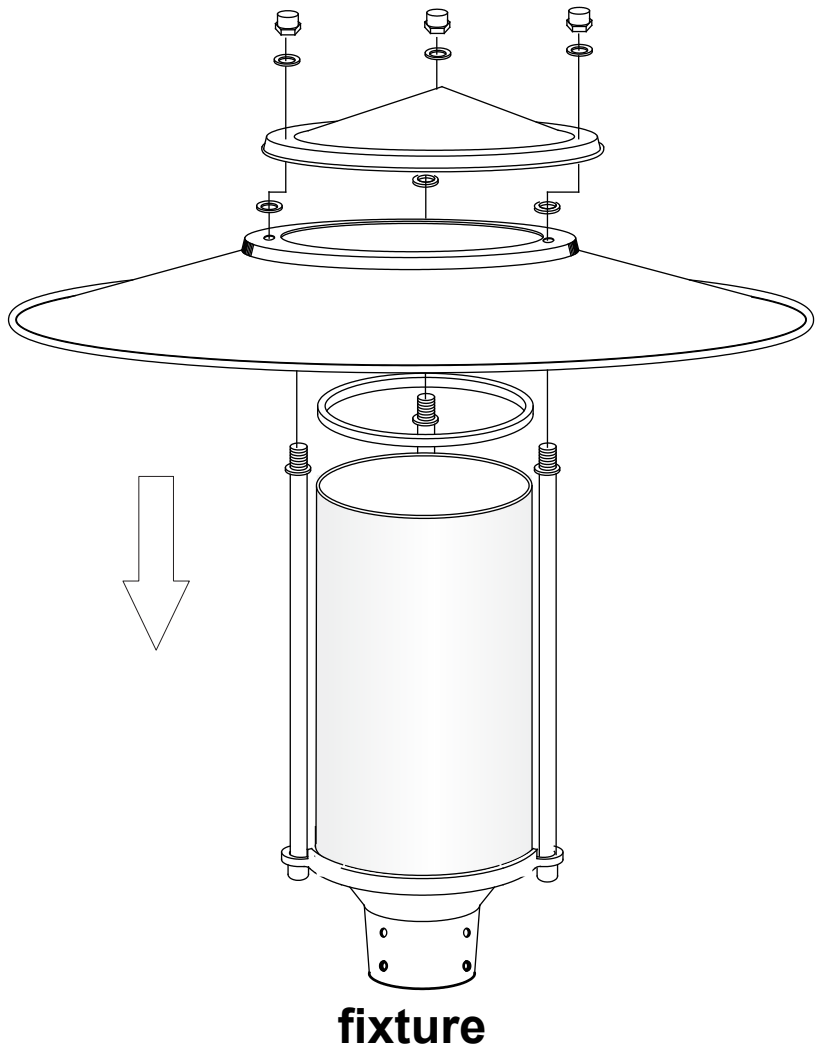
Wipe off dust with a dry, soft cloth. Remove greasy spots etc. with a soft cloth dampened in lukewarm water (<122° F/ 50° C) with a mild detergent.

Warning: Scouring powder and similar substances will scratch surfaces.

All installation is subject to local code and jurisdiction.

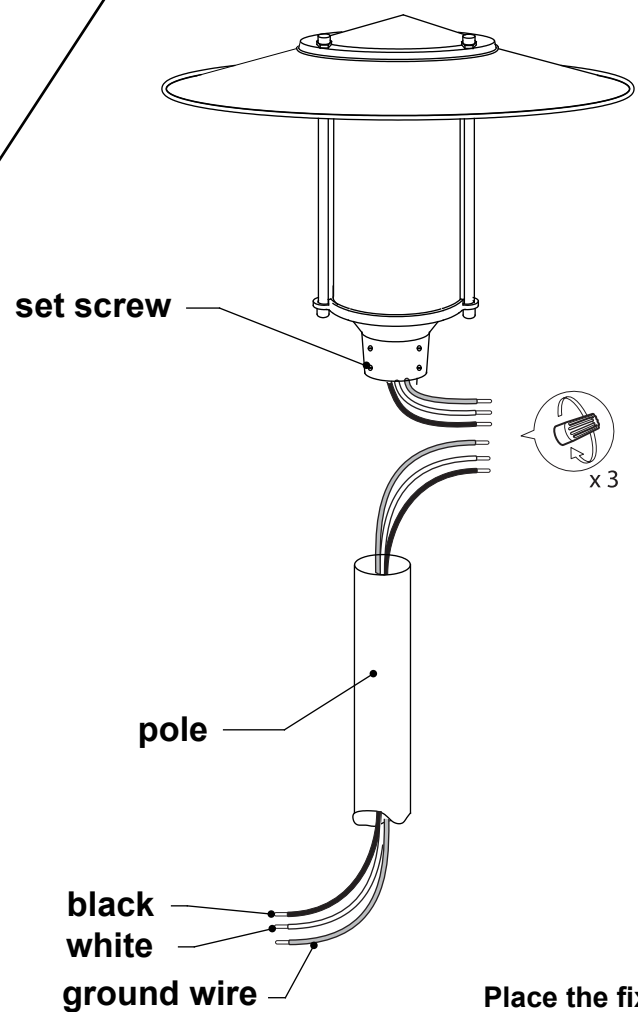
Consult a qualified electrician to ensure correct branch circuit conductor.

The installer must ensure that the foundation is stable and can support the luminaire's weight.



Installation of shades:

Assemble the fixture, large shade and top shade as shown here. Ensure that the fiber washers are used on the top shade assembly only. The transparent lens should be secure and not loose after installation of both shades. See (Fig.1) for detail assembly view.



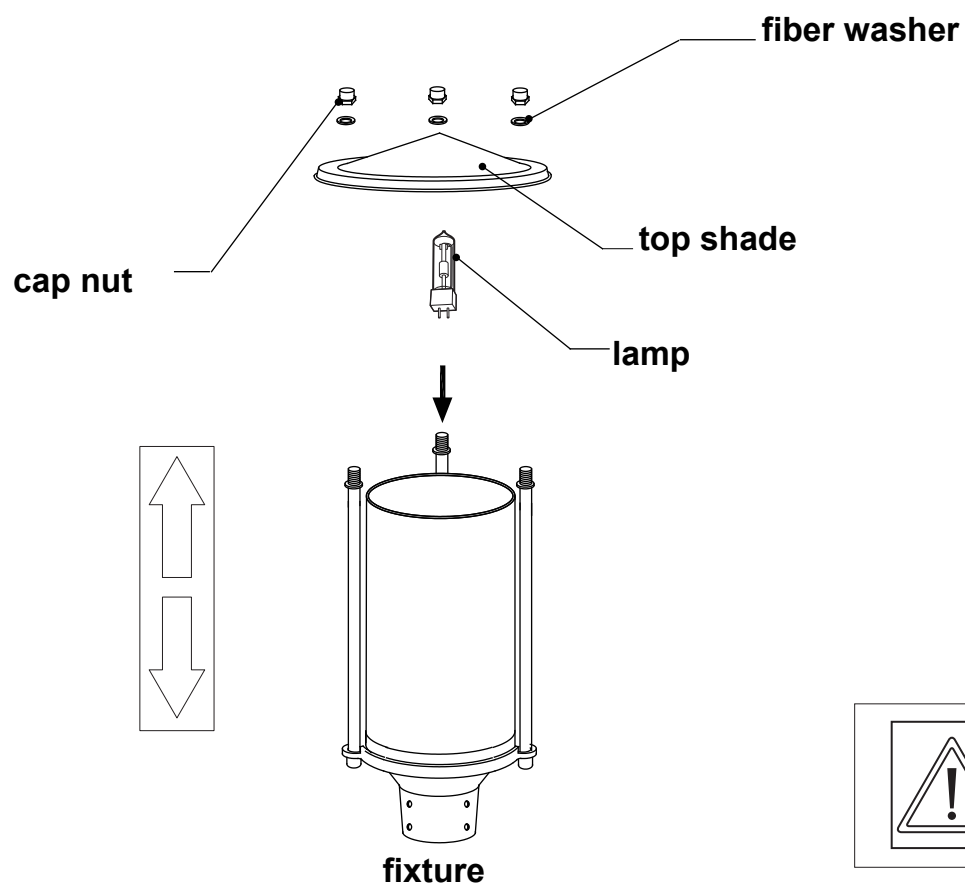
- Green to Green (ground)
 - White to White
 - Black to Black
- x 3

Place the fixture on the top of the 3" Dia. tenon or pole and secure with (4) (1/4"-20)



Relamping:

Remove cap nuts, fiber washers and top shade. Install lamp (light source) as specified.



Use only light source in accordance to the lamp replacement label on the luminaire