

Kelvin Led Green Mode II - Specification Sheet
 by Antonio Citterio w Toan Nguyen, 2013

Mounting

Lamp (Bulb) Description	30 x TOP LED 3000K 325lm CRI95 - 7.5W
Environment	Indoor - Dry Location
Finish	Anthracite
Technical and Product Description	KELVIN LED GREEN MODE II adjustable table lamp providing direct lighting, with double pantograph arm and adjustable head. Fused aluminum alloy body. Die-cast aluminum outer head, with injection-molded methacrylate diffuser.

Base external cover in ABS. Extruded aluminum alloy square tube structure, machined mechanically, so that it houses a stainless steel load-compensation spring and injection-molded acetal resin sliding blocks. 3 mm diameter wire outer tie rods. The ON/OFF switch is electronic with optical mechanism located in the head.

The new Kelvin LED GREEN is offered in 2 different modes:

- Kelvin LED GREEN I with Daylight Sensor
- Kelvin LED GREEN II with Daylight Sensor and Motion Sensor

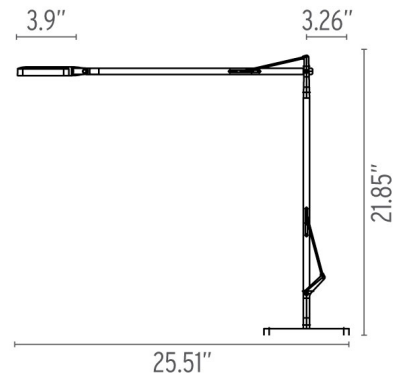
In order to activate the Daylight/Motion Sensor, simply keep your finger on the touch sensor switch on lamp head for a few seconds until it turns from **orange to green**. Once the Daylight Sensor is activated, Kelvin LED Green Mode I and II will automatically adjust its light output by responding to the brightness of the work surface it is illuminating. You can revert back to manual mode by pressing down on the sensor switch for a few seconds again.

The FLOStouch (TM) Technology touch sensor switch is active at all times allowing for manual control of ON/OFF switch and bypassing the Motion Detector. The Daylight Sensor and Motion Sensor function independently of each other.



● F3395033 Anthracite

Dimensional Image



Physical

Construction Material	Aluminum and zamak
Weight	11 lbs



Certifications

