

**Archimoon K - Specification Sheet**  
by Philippe Starck, 2004

**Mounting**

Lamp (Bulb) Description	1 x 40W G9 Frosted Halogen
Environment	Indoor - Dry Location
Finish	Aluminized Silver
Technical and Product Description	ARCHIMOON K task lamp providing direct and diffused light. Archimoon K lamp has a fully articulating silver aluminum arm with heat tempered springs balanced to provide parallel arm movement. Shade always remains horizontal to the work plane.

**Electrical**

Voltage	120
Switching	Switch on lamp base

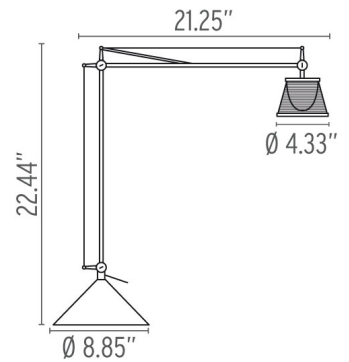
**Physical**

Cord Length (inches)	80
Construction Material	Aluminum, Glass, Injection-molded polycarbonate
Weight	12 lbs



FU036800B Aluminized Silver

**Dimensional Image**



**Certifications**



**Lamping (Bulb)**



40W G9 Frosted Halogen

