

Albertslund Ceiling

ALB-C-1-26W-CF-W-O-RING

PRODUCT SPECIFICATION

Product description

Weblink: 131

Design: Jens Møller-Jensen

Light Concept: The fixture provides characteristic symmetrical and functional lighting. The horizontal ring reflects the light downwards, but its position also allows some light to slip past and illuminate the ceiling. The anti-glare ring prevents from horizontal glare, and the diffuser is available either as clear or white opal glass, depending on the desired light source.

Finish: Galvanized. Stainless steel, brushed and lacquered. White, powder coated.

Material: Diffuser: Clear glass or white opal glass. Saturn ring: Die cut aluminum, die cut stainless steel or galvanized, die cut steel. Anti-glare ring: Spun aluminum, spun stainless steel or galvanized, extruded steel. Housing: Die cast aluminum.

Mounting: Surface: Mounted directly over a recessed 4" octagonal junction box.

Weight: Max. 6 lbs.

Label: cULus, Wet location. IBEW.



Product code	Light source	Voltage	Finish	Shade
ALB-C	1/26W/CF GX24q-3 1/100W/A-19/CL medium	120-277V 120V	BR ST STEEL GALV WHT	WITH SATURN RING WITHOUT SATURN RING

- a. CF variant provided with one 120-277V integral electronic ballast.
- b. CF variant provided with an opal glass lamp diffuser.
- c. Incandescent variant provided with clear glass lamp diffuser.
- d. Incandescent variant only available in 120V.

- I. Stainless steel versions are only for indoor use.
- II. The comparable EU version has the following classification: Ingress Protection Code: IP44.

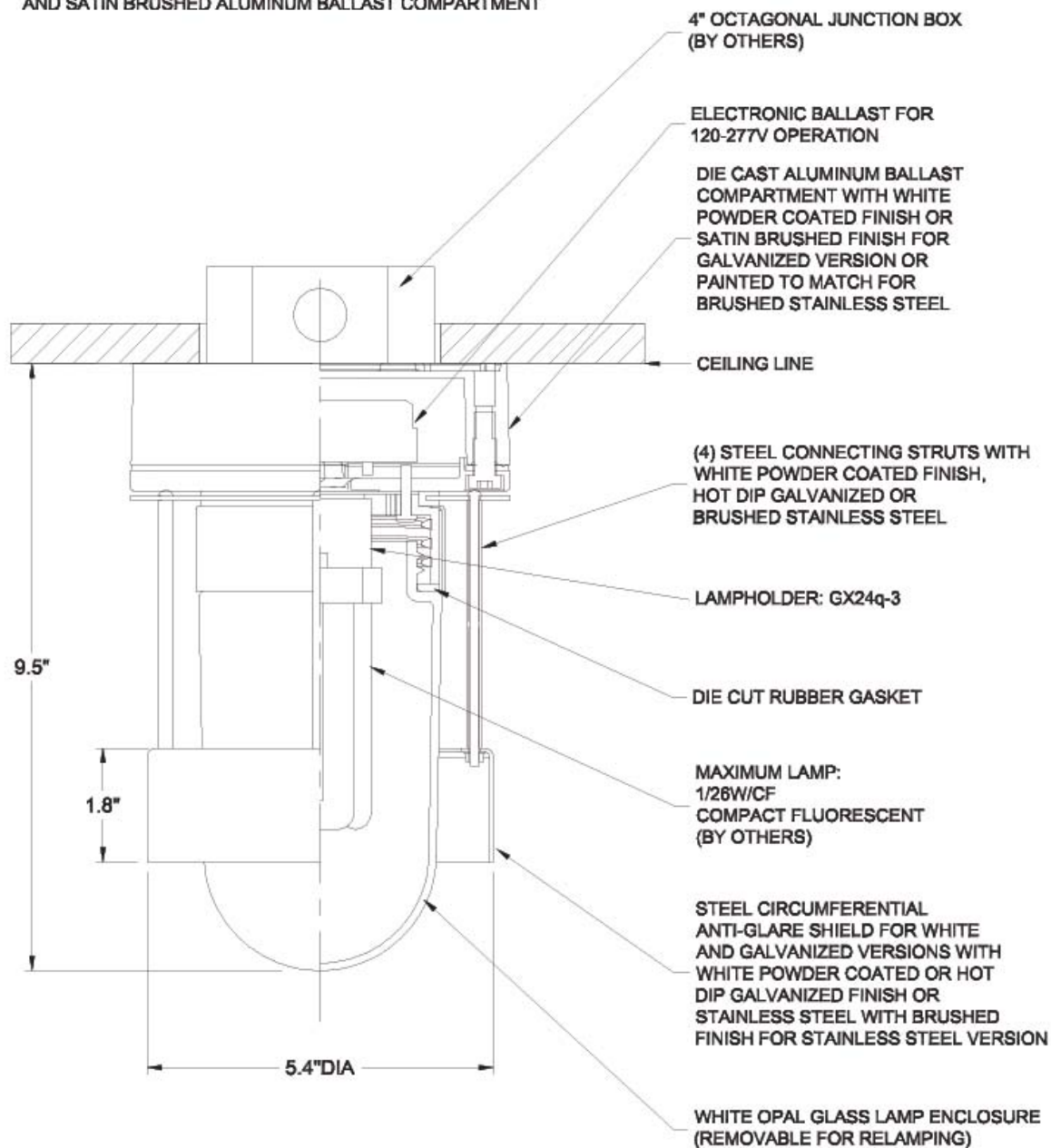
Albertslund Ceiling

ALB-C-1-26W-CF-W-O-RING

PRODUCT SPECIFICATION

Material description

NOTE:
GALVANIZED VERSION PROVIDED WITH
ONE-PIECE WELDED STEEL OPTIC ASSEMBLY
AND SATIN BRUSHED ALUMINUM BALLAST COMPARTMENT

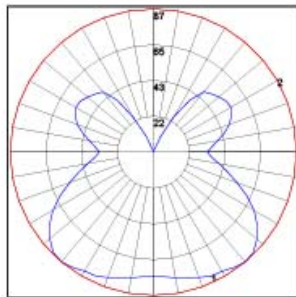


Albertslund Ceiling

ALB-C-1-26W-CF-W-O-RING

PRODUCT SPECIFICATION

Light measurements



Photometric Report: ALB-1-26W-GX24Q-3-WO-RING

Report No: Louis Poulsen Lighting Production DK

Poulsen Report No: ALB-1-26W-GX24Q-3-WO-RING

Luminaire: ALB

Lamp: 1/26W/GX24Q-3

Efficiency: 66%

Description: All data shown are per 1000 lumens. This report can be used for calculation on all versions listed below. Use only actual lumen data calculating.

Candlepower Distribution

Vertical Angle	Candela
0	75.6
5	75.9
15	78.9
25	82.9
35	85.4
45	85.9
55	77.0
65	62.6
75	46.9
90	32.8
120	54.4
150	24.7
180	0.2

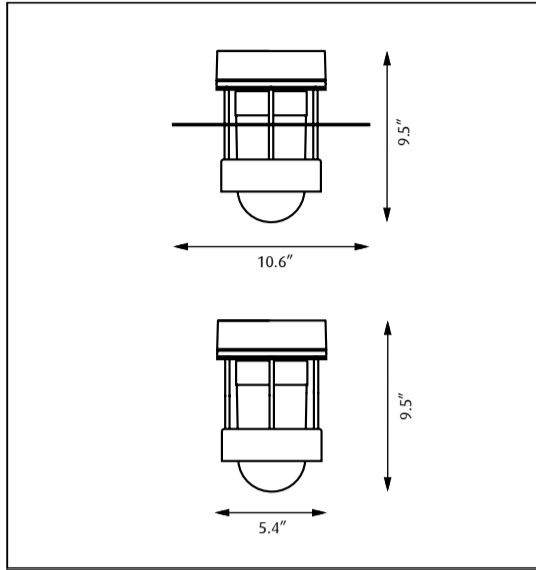
Zonal Lumen Summary

Zone	Lumens	% Lamp	% Fixture
0-20	29.75	3.00	4.50
0-30	67.97	6.80	10.30
0-40	121.57	12.20	18.40
0-60	256.23	25.60	38.70
0-80	367.94	36.80	55.60
0-90	407.30	40.70	61.50
10-90	400.00	40.00	60.40
20-40	91.83	9.20	13.90
20-50	157.77	15.80	23.80
40-70	196.58	19.70	29.70
60-80	111.72	11.20	16.90
70-80	49.79	5.00	7.50
80-90	39.35	3.90	5.90
90-110	86.02	8.60	13.00
90-120	137.84	13.80	20.80
90-130	185.81	18.60	28.10
90-150	248.17	24.80	37.50
90-180	254.49	25.40	38.50
110-180	168.47	16.80	25.50
0-180	661.78	66.20	100.00

Coefficient of utilization- Zonal Cavity Method
Effective Floor Cavity Reflectance 0.20%

Ceiling Reflectance (%)	80				70				50				30				10				0
Wall Reflectance (%)	70	50	30	10	70	50	30	10	50	30	10	50	30	10	50	30	10	50	30	10	0
Room Cavity Ratio																					
0	73	73	73	73	68	68	68	68	59	59	59	51	51	51	44	44	44	41	41	41	41
1	65	61	57	54	60	57	54	51	49	47	45	42	41	39	36	35	33	30	35	33	30
2	58	52	47	43	54	48	44	40	42	39	36	36	33	31	30	28	27	24	28	27	24
3	52	45	39	35	48	42	37	33	36	32	29	31	28	25	26	24	22	22	24	22	19
4	47	39	33	29	44	37	31	27	32	27	24	27	24	21	23	20	18	20	20	18	16
5	43	35	29	24	40	32	27	23	28	24	20	24	21	18	20	18	15	18	18	15	13
6	40	31	25	21	37	29	23	19	25	21	17	22	18	15	18	15	13	16	15	13	11
7	37	28	22	18	34	26	21	17	23	18	15	19	16	13	17	14	11	15	14	11	10
8	34	25	19	15	31	23	18	15	20	16	13	18	14	12	15	12	10	14	12	10	8
9	32	23	17	14	29	21	16	13	19	14	12	16	13	10	14	11	9	13	11	9	7
10	29	21	16	12	27	20	15	12	17	13	10	15	12	9	13	10	8	12	10	8	7

Design Jens Møller-Jensen



44207-11

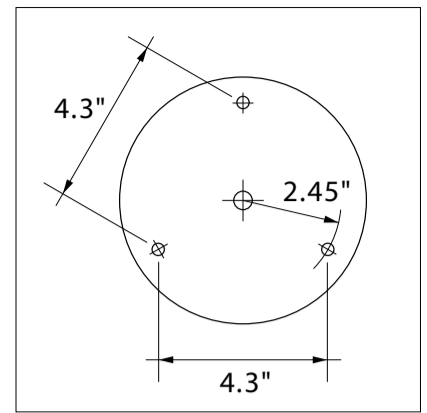
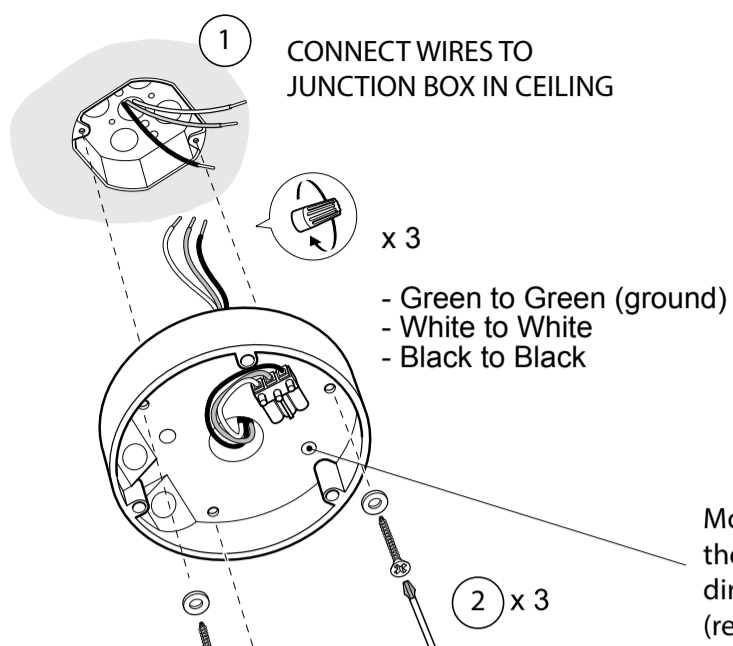
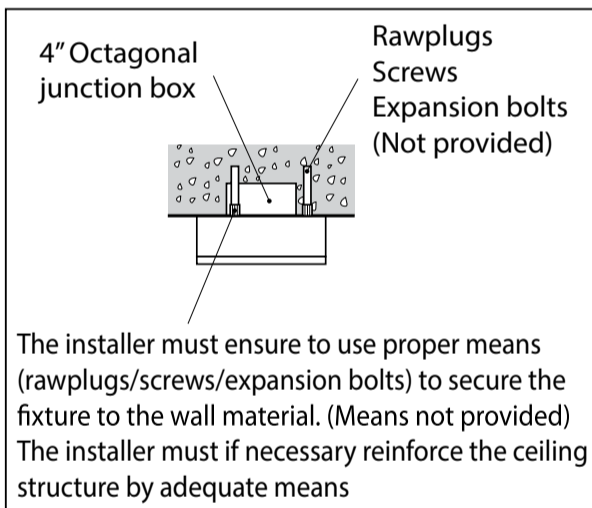
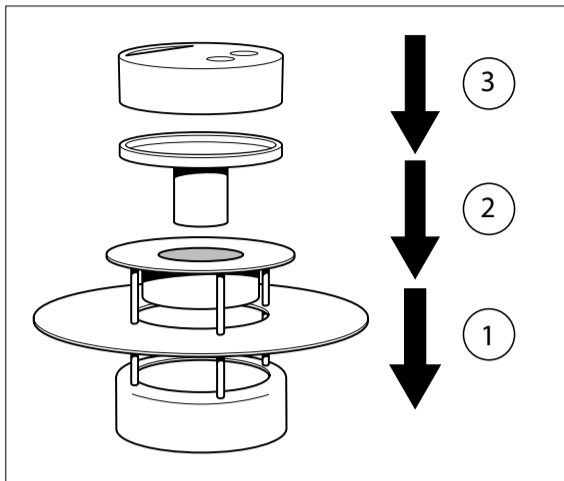
Light source	Voltage	Weight	Electric shock protection	Ingress protection
1/26W/CF GX24q-3 1/100W/A-19/CL Medium	120-277V 120V	6.0 Lbs	Cl. II, Wet location	IP 44, Grounded

Recommended cleaning substances:

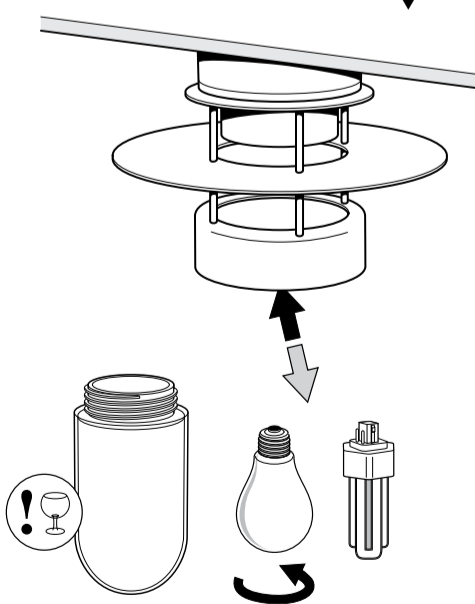
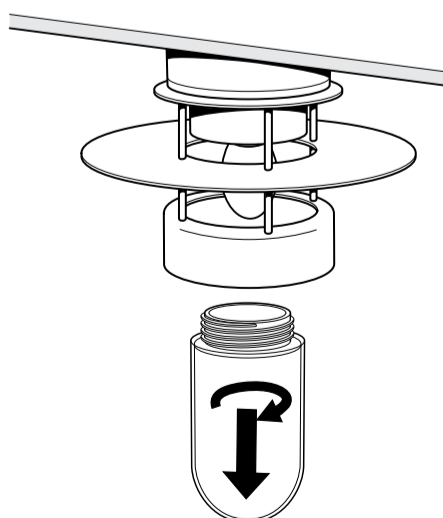
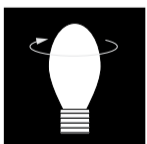
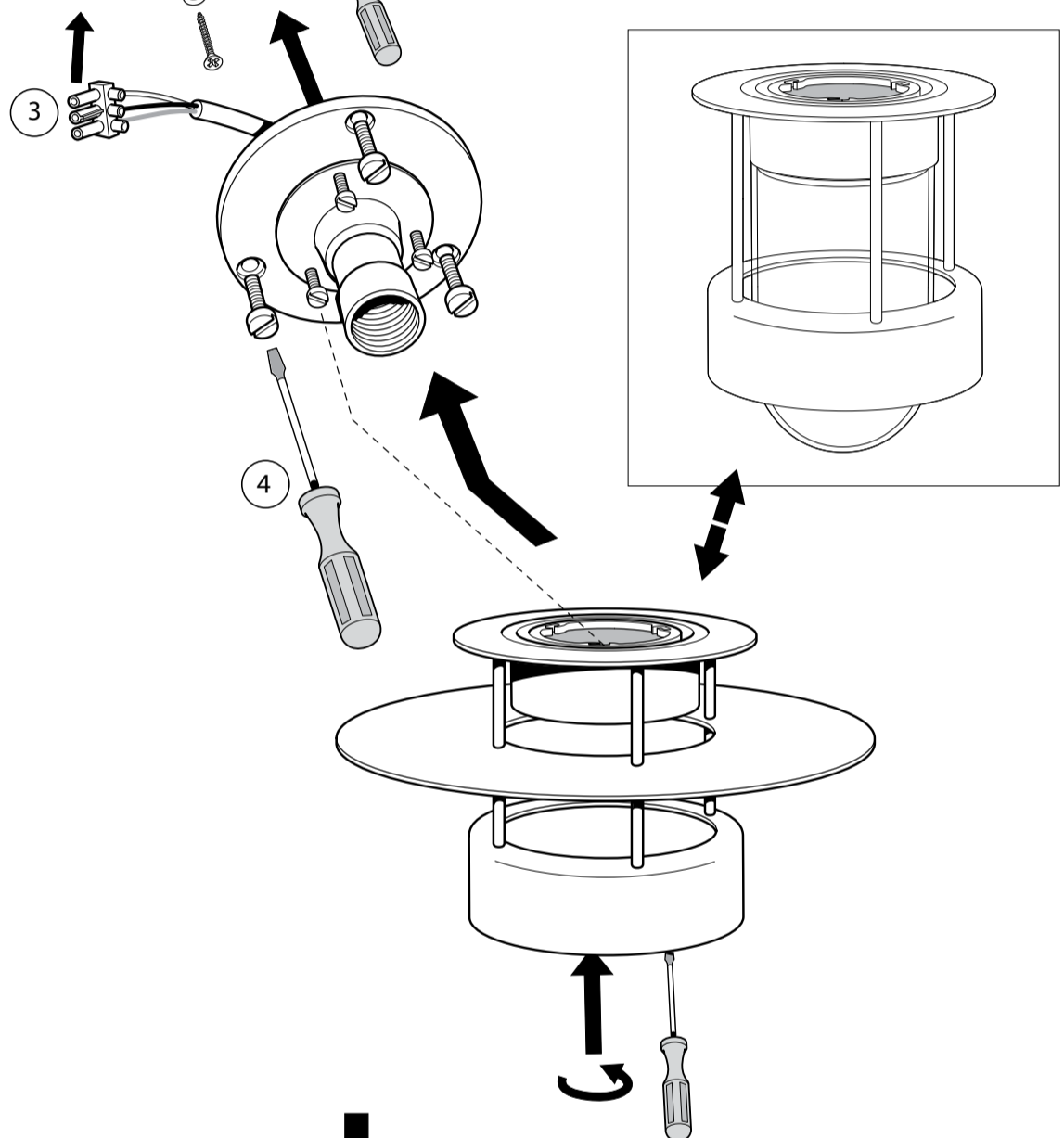
Wipe off dust with a dry, soft cloth. Remove greasy spots etc. with a soft cloth dampened in lukewarm water (<122° F/ 50° C) with a mild detergent.

Warning: Scouring powder and similar substances will scratch surfaces.

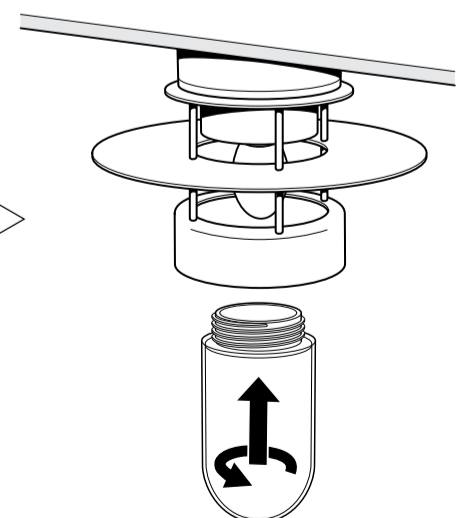
All installation is subject to local code and jurisdiction. Consult a qualified electrician to ensure correct branch circuit conductor. The installer must ensure that the ceiling can support the luminaire's weight. The installer must if necessary reinforce the ceiling structure by adequate means.



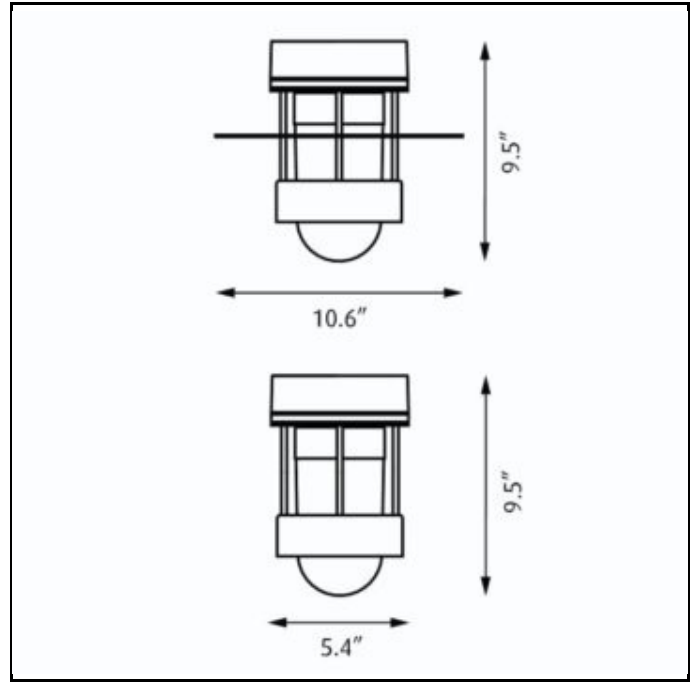
Mount the luminaire junction box to the ceiling, over a 4" junction box or directly to the junction box (remove knockouts)



Use only light source in accordance to the lamp replacement label on the luminaire



Albertslund Ceiling



Design Jens Møller-Jensen

Concept The fixture provides characteristic symmetrical and functional lighting. The horizontal ring reflects the light downwards, but its position also allows some light to slip past and illuminate the ceiling. The anti-glare ring prevents horizontal glare. The diffuser is clear or white opal glass, depending on the desired light source.

Finish Galvanized. Stainless steel, brushed and lacquered. White, powder coated.

Material Diffuser: Clear glass or white opal glass. Saturn ring: Die cut aluminum, die cut stainless steel or die cut galvanized steel. Anti-glare ring: Spun aluminum, spun stainless steel or extruded galvanized steel. Housing: Die cast aluminum.

Mounting Surface: Mounted directly over a recessed 4" octagonal junction box.

Weight Max. 6 lbs.

Label cULus, Wet location. IBEW.

Product Code	Light source	Voltage	Finish	Diff./Encl./Glass	Shade
ALB-C	1/100W/A-19/CL medium	120-277V	BR ST STEEL	CLEAR	WITH SATURN RING
	1/26W/CF GX24q-3	120V	GALV WHT	OPAL PAINTED	WITHOUT SATURN RING

Specification notes

- a. CF variant provided with one 120-277V integral electronic ballast.
- b. CF variant provided with an opal glass lamp diffuser.
- c. Incandescent variant provided with clear glass lamp diffuser.
- d. Incandescent variant only available in 120V.

Info notes

- I. Stainless steel versions are only for indoor use.
- II. The comparable EU version has the following classification: Ingress Protection Code: IP44.

Albertslund Ceiling

ALB-C-1-100W-INC-W-RING

PRODUCT SPECIFICATION

Product description

Weblink: 131

Design: Jens Møller-Jensen

Light Concept: The fixture provides characteristic symmetrical and functional lighting. The horizontal ring reflects the light downwards, but its position also allows some light to slip past and illuminate the ceiling. The anti-glare ring prevents from horizontal glare, and the diffuser is available either as clear or white opal glass, depending on the desired light source.

Finish: Galvanized. Stainless steel, brushed and lacquered. White, powder coated.

Material: Diffuser: Clear glass or white opal glass. Saturn ring: Die cut aluminum, die cut stainless steel or galvanized, die cut steel. Anti-glare ring: Spun aluminum, spun stainless steel or galvanized, extruded steel. Housing: Die cast aluminum.

Mounting: Surface: Mounted directly over a recessed 4" octagonal junction box.

Weight: Max. 6 lbs.

Label: cULus, Wet location. IBEW.



Product code	Light source	Voltage	Finish	Shade
ALB-C	1/26W/CF GX24q-3 1/100W/A-19/CL medium	120-277V 120V	BR ST STEEL GALV WHT	WITH SATURN RING WITHOUT SATURN RING

- a. CF variant provided with one 120-277V integral electronic ballast.
- b. CF variant provided with an opal glass lamp diffuser.
- c. Incandescent variant provided with clear glass lamp diffuser.
- d. Incandescent variant only available in 120V.

- I. Stainless steel versions are only for indoor use.
- II. The comparable EU version has the following classification: Ingress Protection Code: IP44.

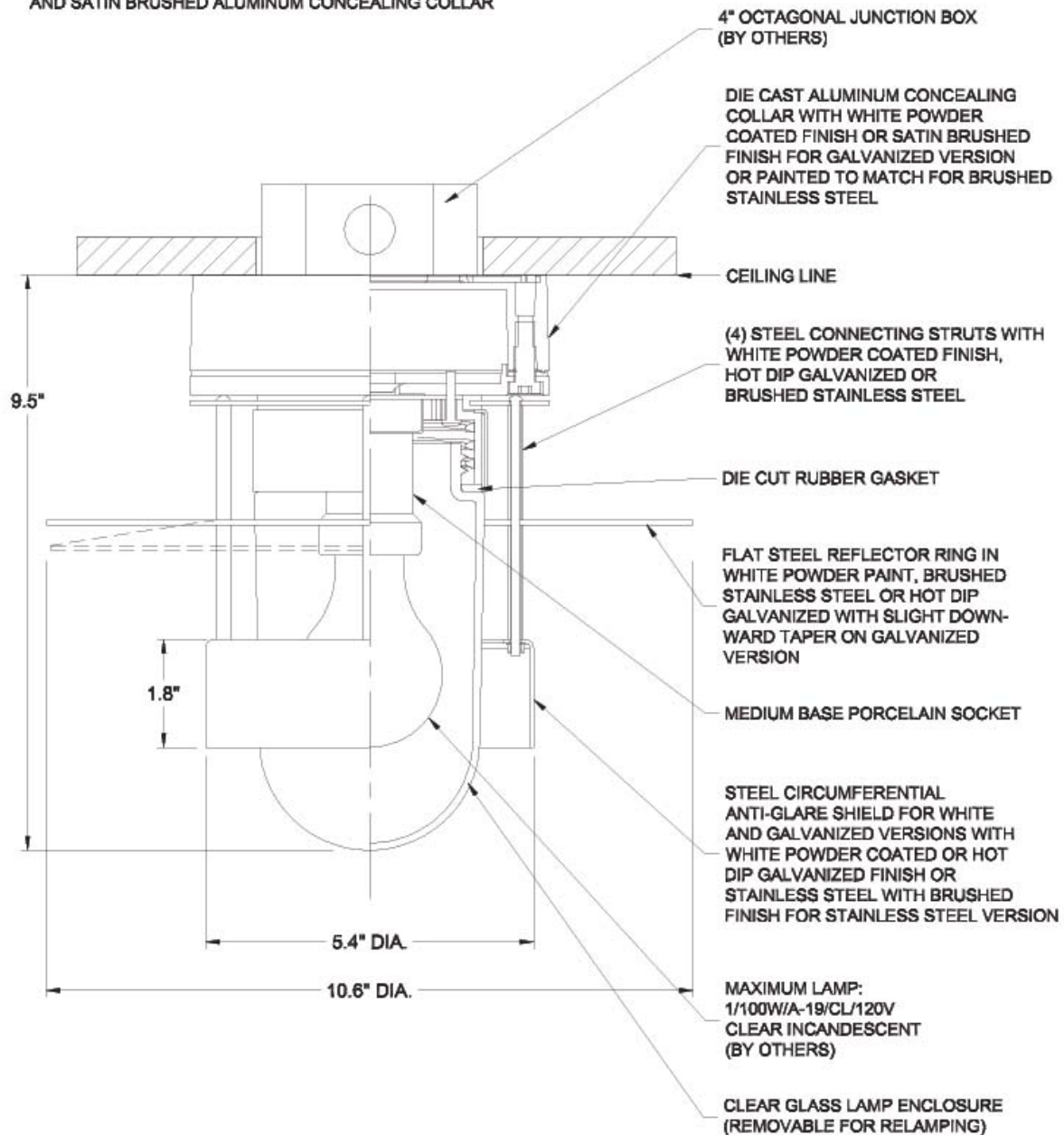
Albertslund Ceiling

ALB-C-1-100W-INC-W-RING

PRODUCT SPECIFICATION

Material description

NOTE:
GALVANIZED VERSION PROVIDED WITH
ONE-PIECE WELDED STEEL OPTIC ASSEMBLY
AND SATIN BRUSHED ALUMINUM CONCEALING COLLAR

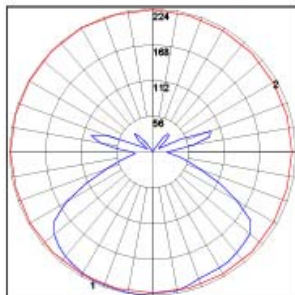


Albertslund Ceiling

ALB-C-1-100W-INC-W-RING

PRODUCT SPECIFICATION

Light measurements



Photometric Report: ALB-1-100W-A19-RING

Report No: LP 3514

Poulsen Report No: ALB-1-100W-A19-RING

Luminaire: ALB

Lamp: 1/100W/A19

Efficiency: 80%

Description: All data shown are per 1380 lumens. This report can be used for calculation on all versions listed below. Use only actual lumen data calculating.

Candlepower Distribution

Vertical Angle	Candela
0	220
5	218
15	211
25	215
35	208
45	202
55	199
65	107
75	59
90	19
120	10
150	6
180	1

Zonal Lumen Summary

Zone	Lumens	% Lamp	% Fixture
0-20	82.72	6.00	7.50
0-30	182.64	13.20	16.00
0-40	315.34	22.90	28.70
0-60	642.98	46.60	58.40
0-80	820.05	59.40	74.50
0-90	853.65	61.90	77.80
10-90	832.63	60.30	75.70
20-40	232.62	16.90	21.10
20-50	392.21	28.40	35.60
40-70	443.48	32.10	40.30
60-80	177.07	12.80	16.10
70-80	61.25	4.40	5.60
80-90	33.59	2.40	3.10
90-110	148.02	10.70	13.50
90-120	192.51	13.90	17.50
90-130	207.81	15.10	18.90
90-150	245.18	17.80	22.30
90-180	246.84	17.90	22.40
110-180	98.82	7.20	9.00
0-180	1100.49	79.70	100.00

Coefficient of utilization- Zonal Cavity Method
Effective Floor Cavity Reflectance 0.20%

Ceiling Reflectance (%)	80				70				50				30				10				0
Wall Reflectance (%)	70	50	30	10	70	50	30	10	50	30	10	50	30	10	50	30	10	50	30	10	0
Room Cavity Ratio																					
0	91	91	91	91	86	86	86	86	79	79	79	72	72	72	65	65	65	62	62	62	62
1	82	78	74	71	78	74	71	68	68	65	63	62	60	58	56	54	53	56	54	53	50
2	74	67	62	57	70	64	59	55	59	55	51	53	50	47	48	46	44	48	46	44	41
3	67	59	52	47	64	56	50	45	51	46	42	46	42	39	42	39	36	42	39	36	34
4	61	51	44	39	58	49	43	38	45	40	35	41	36	33	37	34	31	37	34	31	28
5	56	46	38	33	53	44	37	32	40	34	30	36	32	28	33	29	26	33	29	26	24
6	51	41	33	28	49	39	32	27	36	30	26	33	28	24	30	26	23	30	26	23	21
7	47	36	29	25	45	35	28	24	32	27	22	29	25	21	27	23	20	27	23	20	18
8	44	33	26	22	42	32	25	21	29	24	20	27	22	19	25	21	17	25	21	17	16
9	41	30	24	19	39	29	23	19	27	21	18	25	20	17	23	19	16	23	19	16	14
10	38	28	21	17	36	27	21	17	25	19	16	23	18	15	21	17	14	21	17	14	12

Albertslund Ceiling

ALB-C-1-100W-INC-W-O-RING

PRODUCT SPECIFICATION

Product description

Weblink: 131

Design: Jens Møller-Jensen

Light Concept: The fixture provides characteristic symmetrical and functional lighting. The horizontal ring reflects the light downwards, but its position also allows some light to slip past and illuminate the ceiling. The anti-glare ring prevents from horizontal glare, and the diffuser is available either as clear or white opal glass, depending on the desired light source.

Finish: Galvanized. Stainless steel, brushed and lacquered. White, powder coated.

Material: Diffuser: Clear glass or white opal glass. Saturn ring: Die cut aluminum, die cut stainless steel or galvanized, die cut steel. Anti-glare ring: Spun aluminum, spun stainless steel or galvanized, extruded steel. Housing: Die cast aluminum.

Mounting: Surface: Mounted directly over a recessed 4" octagonal junction box.

Weight: Max. 6 lbs.

Label: cULus, Wet location. IBEW.



Product code	Light source	Voltage	Finish	Shade
ALB-C	1/26W/CF GX24q-3 1/100W/A-19/CL medium	120-277V 120V	BR ST STEEL GALV WHT	WITH SATURN RING WITHOUT SATURN RING

- a. CF variant provided with one 120-277V integral electronic ballast.
- b. CF variant provided with an opal glass lamp diffuser.
- c. Incandescent variant provided with clear glass lamp diffuser.
- d. Incandescent variant only available in 120V.

- I. Stainless steel versions are only for indoor use.
- II. The comparable EU version has the following classification: Ingress Protection Code: IP44.

Albertslund Ceiling

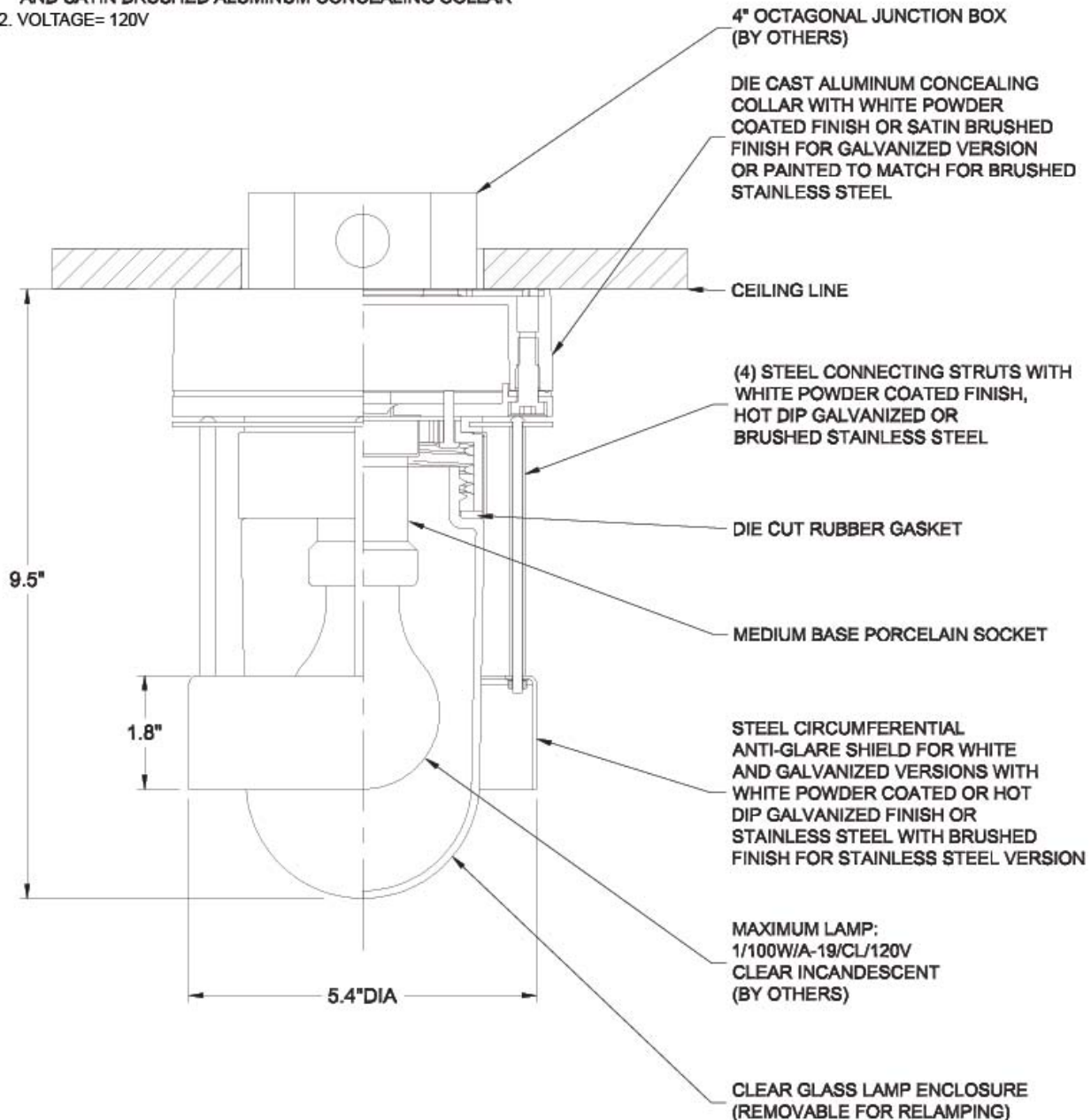
ALB-C-1-100W-INC-W-O-RING

PRODUCT SPECIFICATION

Material description

NOTE:

1. GALVANIZED VERSION PROVIDED WITH ONE-PIECE WELDED STEEL OPTIC ASSEMBLY AND SATIN BRUSHED ALUMINUM CONCEALING COLLAR
2. VOLTAGE= 120V

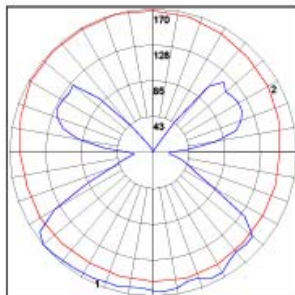


Albertslund Ceiling

ALB-C-1-100W-INC-W-O-RING

PRODUCT SPECIFICATION

Light measurements



Photometric Report: ALB-1-100W-A19-CL-WO RING

Report No: LP3516

Poulsen Report No: ALB-1-100W-A19-CL-WO RING

Luminaire: ALB

Lamp: 1/100W/A19-CL

Efficiency: 83%

Description: All data shown are per 1380 lumens. This report can be used for calculation on all versions listed below. Use only actual lumen data calculating.

Candlepower Distribution

Vertical Angle	Candela
0	164
5	164
15	160
25	163
35	163
45	155
55	125
65	60
75	35
90	24
120	128
150	8
180	0

Zonal Lumen Summary

Zone	Lumens	% Lamp	% Fixture
0-20	61.09	4.40	5.40
0-30	136.13	9.90	11.90
0-40	237.72	17.20	20.90
0-60	483.89	35.10	42.50
0-80	597.45	43.30	52.40
0-90	624.76	45.30	54.80
10-90	609.22	44.10	53.50
20-40	176.63	12.80	15.50
20-50	300.54	21.80	26.40
40-70	319.40	23.10	28.00
60-80	113.56	8.20	10.00
70-80	40.32	2.90	3.50
80-90	27.31	2.00	2.40
90-110	166.76	12.10	14.60
90-120	289.07	20.90	25.40
90-130	402.53	29.20	35.30
90-150	511.65	37.10	44.90
90-180	514.52	37.30	45.20
110-180	347.76	25.20	30.50
0-180	1139.28	82.60	100.00

Coefficient of utilization- Zonal Cavity Method
Effective Floor Cavity Reflectance 0.20%

Room Cavity Ratio	Ceiling Reflectance (%)				70				50				30				10				0
	80	50	30	10	70	50	30	10	50	30	10	50	30	10	50	30	10	0			
0	89	89	89	89	83	83	83	83	71	71	71	60	60	60	50	50	50	45			
1	81	77	74	71	75	72	69	66	61	59	57	52	50	49	43	42	41	37			
2	73	67	62	57	68	62	57	53	53	50	47	45	42	40	38	36	34	30			
3	67	58	52	47	62	54	49	44	47	42	39	40	36	33	33	30	28	25			
4	61	51	45	39	56	48	42	37	41	36	33	35	31	28	29	26	24	21			
5	56	46	39	33	51	42	36	31	37	32	28	31	27	24	26	23	21	18			
6	51	41	34	29	47	38	32	27	33	28	24	28	24	21	23	20	18	15			
7	47	36	30	25	43	34	28	23	29	24	21	25	21	18	21	18	16	13			
8	44	33	26	22	40	31	25	21	27	22	18	23	19	16	19	16	14	12			
9	40	30	24	19	37	28	22	18	24	20	16	21	17	14	18	15	12	10			
10	38	27	21	17	35	26	20	16	22	18	14	19	15	13	16	13	11	9			

Albertslund Ceiling

ALB-C-1-26W-CF-W-RING

PRODUCT SPECIFICATION

Product description

Weblink: 131

Design: Jens Møller-Jensen

Light Concept: The fixture provides characteristic symmetrical and functional lighting. The horizontal ring reflects the light downwards, but its position also allows some light to slip past and illuminate the ceiling. The anti-glare ring prevents from horizontal glare, and the diffuser is available either as clear or white opal glass, depending on the desired light source.

Finish: Galvanized. Stainless steel, brushed and lacquered. White, powder coated.

Material: Diffuser: Clear glass or white opal glass. Saturn ring: Die cut aluminum, die cut stainless steel or galvanized, die cut steel. Anti-glare ring: Spun aluminum, spun stainless steel or galvanized, extruded steel. Housing: Die cast aluminum.

Mounting: Surface: Mounted directly over a recessed 4" octagonal junction box.

Weight: Max. 6 lbs.

Label: cULus, Wet location. IBEW.



Product code	Light source	Voltage	Finish	Shade
ALB-C	1/26W/CF GX24q-3 1/100W/A-19/CL medium	120-277V 120V	BR ST STEEL GALV WHT	WITH SATURN RING WITHOUT SATURN RING

- a. CF variant provided with one 120-277V integral electronic ballast.
- b. CF variant provided with an opal glass lamp diffuser.
- c. Incandescent variant provided with clear glass lamp diffuser.
- d. Incandescent variant only available in 120V.

- I. Stainless steel versions are only for indoor use.
- II. The comparable EU version has the following classification: Ingress Protection Code: IP44.

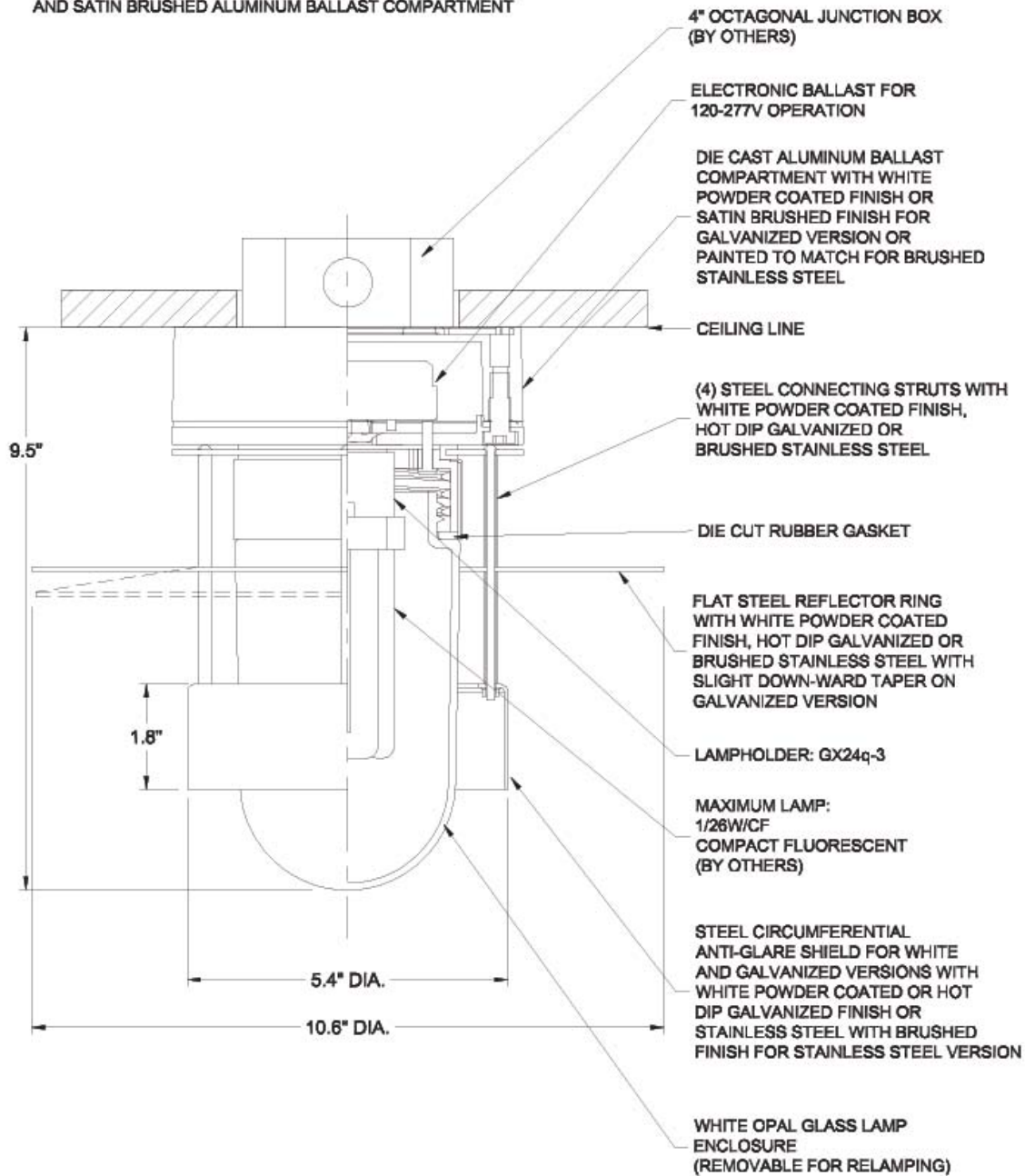
Albertslund Ceiling

ALB-C-1-26W-CF-W-RING

PRODUCT SPECIFICATION

Material description

NOTE:
GALVANIZED VERSION PROVIDED WITH
ONE-PIECE WELDED STEEL OPTIC ASSEMBLY
AND SATIN BRUSHED ALUMINUM BALLAST COMPARTMENT

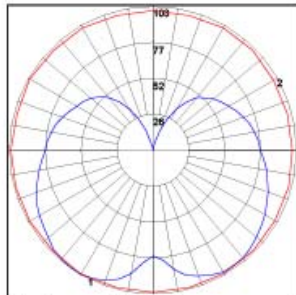


Albertslund Ceiling

ALB-C-1-26W-CF-W-RING

PRODUCT SPECIFICATION

Light measurements



Photometric Report: ALB-1-26W-GX24Q-3-RING

Report No: LP4470

Poulsen Report No: ALB-1-26W-GX24Q-3-RING

Luminaire: ALB

Lamp: 1/26W/GX24Q-3

Efficiency: 52%

Description: All data shown are per 1800 lumens. This report can be used for calculation on all versions listed below. Use only actual lumen data calculating.

Candlepower Distribution

Vertical Angle	Candela
0	76
5	79
15	93
25	99
35	101
45	99
55	95
65	92
75	87
90	78
120	66
150	34
180	0

Zonal Lumen Summary

Zone	Lumens	% Lamp	% Fixture
0-20	34.47	1.90	3.70
0-30	80.65	4.50	8.60
0-40	144.29	8.00	15.40
0-60	307.00	17.10	32.70
0-80	488.59	27.10	52.00
0-90	576.11	32.00	61.30
10-90	568.23	31.60	60.50
20-40	109.83	6.10	11.70
20-50	186.78	10.40	19.90
40-70	253.36	14.10	27.00
60-80	181.60	10.10	19.30
70-80	90.94	5.10	9.70
80-90	87.52	4.90	9.30
90-110	159.80	8.90	17.00
90-120	226.56	12.60	24.10
90-130	261.56	15.80	30.00
90-150	349.61	19.40	37.20
90-180	363.49	20.20	38.70
110-180	203.69	11.30	21.70
0-180	939.60	52.20	100.00

Coefficient of utilization- Zonal Cavity Method
Effective Floor Cavity Reflectance 0.20%

Ceiling Reflectance (%)	60				70				50				30				10				0
Wall Reflectance (%)	70	50	30	10	70	50	30	10	50	30	10	50	30	10	50	30	10	50	30	10	0
Room Cavity Ratio																					
0	57	57	57	57	54	54	54	54	47	47	47	40	40	40	35	35	35	32	32	32	
1	50	47	44	41	46	43	41	38	37	35	34	32	30	29	27	26	25	22	22	22	
2	45	39	35	32	41	37	33	30	32	29	26	27	24	22	22	21	19	17	17	17	
3	40	34	29	25	37	32	27	24	27	24	21	23	20	18	19	17	15	13	13	13	
4	36	30	25	21	34	28	23	20	24	20	17	20	17	15	17	14	12	11	11	11	
5	33	26	21	17	31	24	20	16	21	17	14	18	15	12	15	12	10	9	9	9	
6	30	23	18	15	28	22	17	14	19	15	12	16	13	11	13	11	9	7	7	7	
7	28	21	16	13	26	19	15	12	17	13	11	14	11	9	12	10	8	6	6	6	
8	26	19	14	11	24	18	13	11	15	12	9	13	10	8	11	9	7	5	5	5	
9	24	17	13	10	22	16	12	9	14	11	8	12	9	7	10	8	6	4	4	4	
10	23	16	11	9	21	15	11	8	13	10	7	11	8	6	9	7	5	3	3	3	