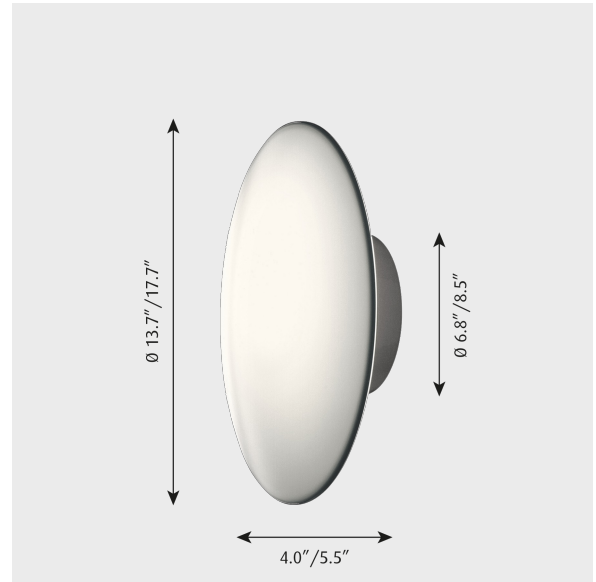


AJ Eklipta Outdoor

Project name:

Project type:

Notes:



Design

Arne Jacobsen

Product description

The circular surface mounted product is a wide family of variants.

Iconic design

Three dimensions

High quality finish 3-layer mouth blown glass

Simple installation in stamped aluminium housing

Thump screws and nut easily secure glass to housing

Outer diameter of housing kept throughout luminaire history allowing for change from earlier versions of the product to latest LED version.

Glass front can be reused with

Easy to maintain

Variant options

Dimension	Light source	Voltage frequency	Color	Mounting
13.7 IN	1/100W/A-19/IF medium	120V	<input type="radio"/> Wht	WALL AND SURFACE
17.7 IN	1/40W/T-4/IF G9			
8.7 IN	1/60W/A-19/IF medium			

Light description

The fixture emits a soft comfortable light without any glare.
 A large proportion of light is reflected back onto mounting surface to reduce contrast
 Luminance highest in center fading towards edge
 The three layer glass has a transparent edge providing a decorative halo of light around the fixture
 The hand made glass
 The diffuser construction diffuses light so the individual led is not visible.
 Using high efficient high power LEDs the Tc of each LEDs is managed efficiently and kept low.
 Custom made LED boards with lens optics ensure the perfect distribution of light in the glass front and on the lower reflector.
 Efficient luminaire
 LED board is replaceable
 Dimmable, small version dimmable with phase dimming

Mounting

Simple installation on wall or ceiling surface
 Mounted directly over recessed 4" octagonal junction box

Dimensions

13.7 IN, 17.7 IN, 8.7 IN

Finish

Wht

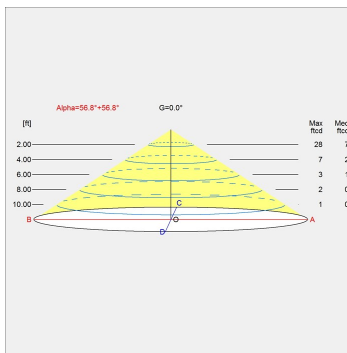
Voltage

120V

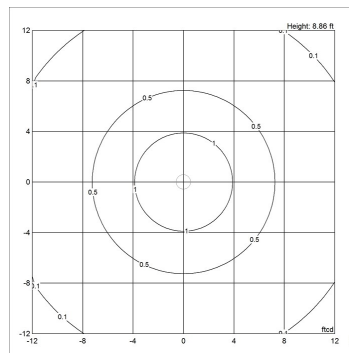
Light distribution diagrams

For the full data set on all variants, see louispoulsen.com.

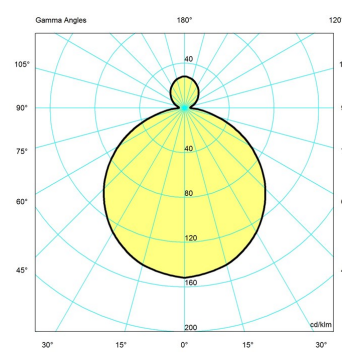
Cartesian



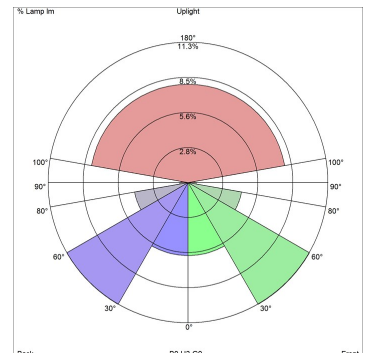
Isolux



Polar



Bug



Material

Three layer mouth-blown glass with a human touch and detailing
 Powder coated housing in high gloss white coating.

Weight

Min: 1.27 lbs Max: 8.999 lbs

Other functions

Sensor option available for some sizes
 Programmable driver with stand-by and hold function

Specification notes

- a. 8.7" variant available in 40W.
- b. 13.7" variant available in 60W.
- c. 17.7" variant available in 100W.

Variant options

Dimension	Light source	Voltage frequency	Color	Mounting	Variant number
13.7 IN	1/60W/A-19/IF medium	120V	<input type="radio"/> Wht	WALL AND SURFACE	5842905400
17.7 IN	1/100W/A-19/IF medium	120V	<input type="radio"/> Wht	WALL AND SURFACE	5842905426
8.7 IN	1/40W/T-4/IF G9	120V	<input type="radio"/> Wht	WALL AND SURFACE	5743908011