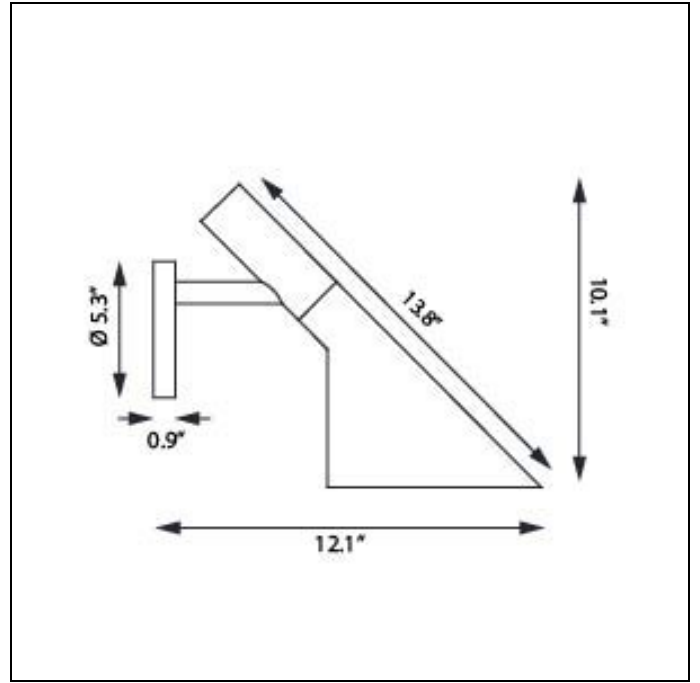


AJ 50 Wall



Design Arne Jacobsen

Concept The fixture emits downward directed light. The shade is painted white on the inside to ensure a soft comfortable light distribution.

Finish Black, white or natural painted aluminum, powder coated.

Material Back plate: Die cast aluminum. Shade: Die cast aluminum. LED enclosure: frosted glass.

Mounting Surface: Mounted directly to finished surface over a 4" octagonal junction box.

Weight Max. 4.5 lbs.

Label cULus, Wet location. IBEW.

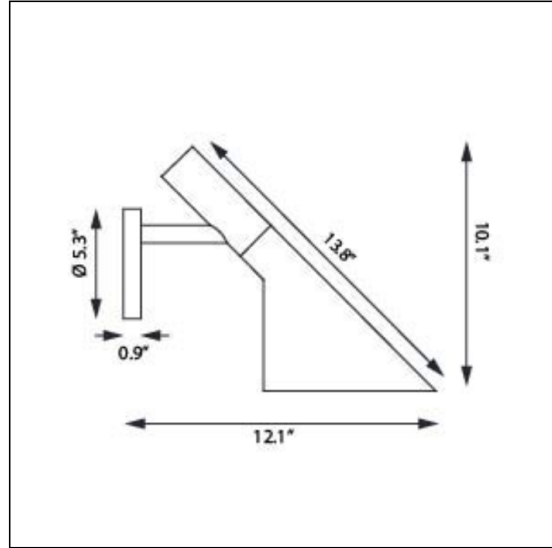
Product Code	Light source	Voltage	Finish
AJ50	9W LED/3000K	120V	BLK TEXT NAT PAINT ALU WHT

AJ 50 Wall

AJ50-W LED

PRODUCT SPECIFICATION

Product description



Design Arne Jacobsen

Concept The fixture emits downward directed light. The shade is painted white on the inside to ensure a soft comfortable light distribution.

Finish Black, white or natural painted aluminum, powder coated.

Material Back plate: Die cast aluminum. Shade: Die cast aluminum. LED enclosure: frosted glass.

Mounting Surface: Mounted directly to finished surface over a 4" octagonal junction box.

Weight Max. 4.5 lbs.

Label cULus, Wet location. IBEW.

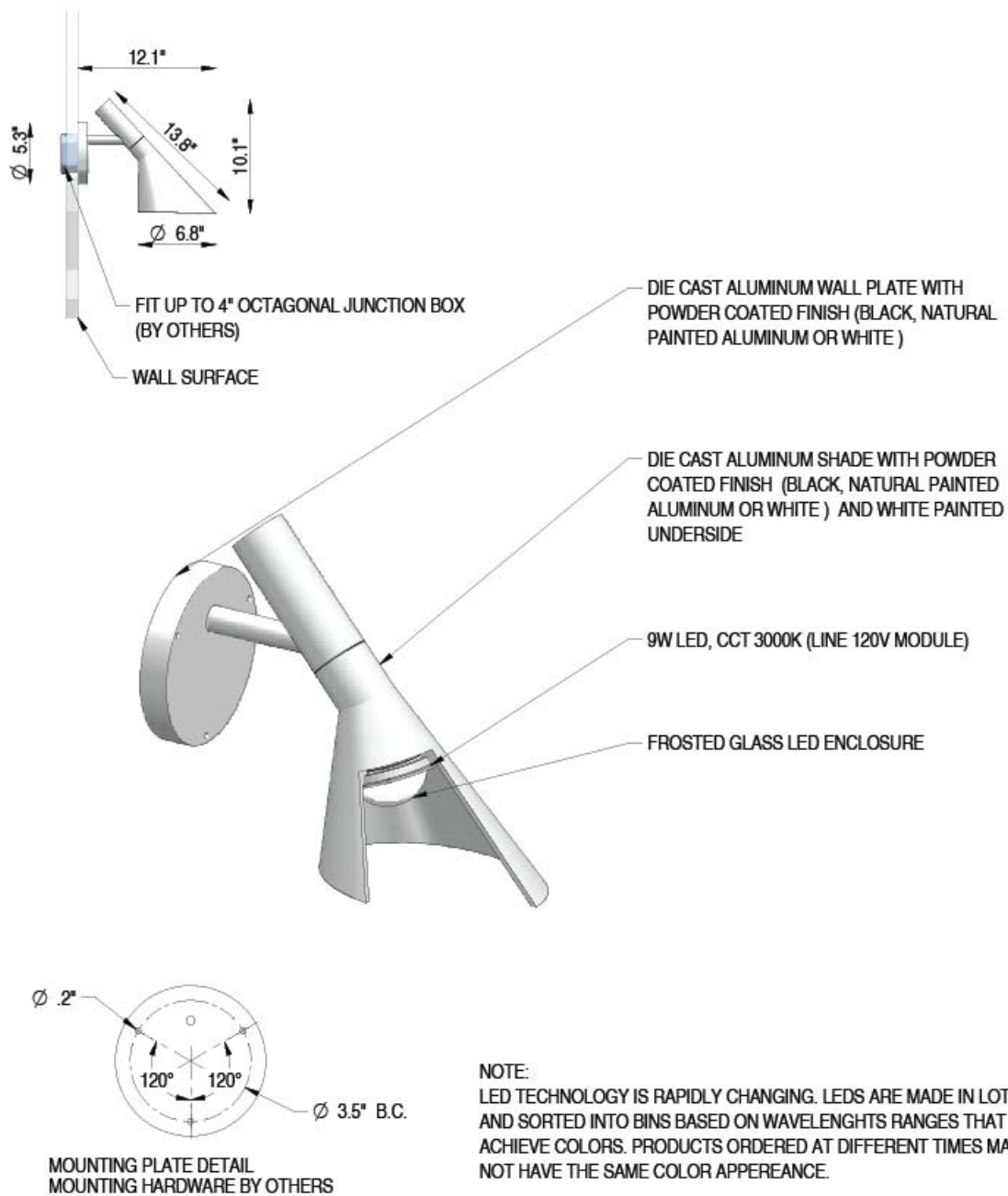
Product Code	Light source	Voltage	Finish
AJ50	9W LED/3000K	120V	BLK TEXT NAT PAINT ALU WHT

AJ 50 Wall

AJ50-W LED

PRODUCT SPECIFICATION

Material description



AJ 50 Wall

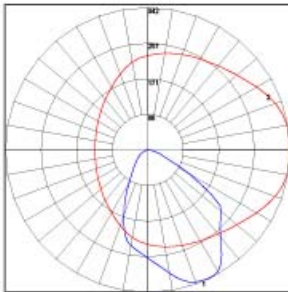
AJ50-W LED

PRODUCT SPECIFICATION

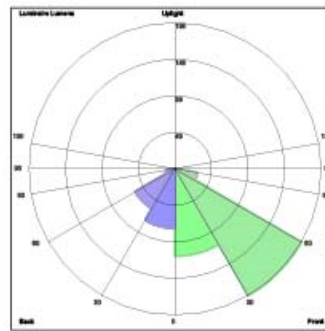
Light Measurements

Photometric Report: AJ WALL-9W-LED
 Report No: L8690A
 Poulsen Report No: AJ WALL-9W-LED
 Luminaire: AJ 50 WALL
 Lamp: 9W/LED/3000K

Description: All data shown are per 504 lumens. This report can be used for calculation on all versions listed below. Use only actual lumen data calculating.



Vertical Angle	Candela
0	259.8
5	277.2
15	324.8
25	342.1
35	309.5
45	248.1
55	185.9
65	58.8
75	23.0
90	0.0
120	0.0
150	0.0
180	0.0



LUMINAIRE CLASSIFICATION SYSTEM (LCS)

	Lumens	% Lamp	% Luminaire
FL - Front-Low (0-30)	118.1	23.4	23.4
FM - Front-Medium (30-60)	197.9	39.3	39.2
FH - Front-High (60-80)	30.6	6.1	6.1
FVH - Front-Very High (80-90)	2.3	0.5	0.5
BL - Back-Low (0-30)	80.2	15.9	15.9
BM - Back-Medium (30-60)	61.8	12.3	12.3
BH - Back-High (60-80)	12.3	2.4	2.4
BVH - Back-Very High (80-90)	1.1	0.2	0.2
UL - Uplight-Low (90-100)	< 0.05	0.0	0.0
UH - Uplight-High (100-180)	0.0	0.0	0.0
Total	504.3	100.1	100.0
BUG Rating	B0-U1-G0		

Zonal Lumen Summary

Zone	Lumens	% Lamp	% Fixture
0-20	96.60	19.20	19.20
0-30	198.27	39.30	39.30
0-40	303.89	60.30	60.30
0-60	457.99	90.90	90.80
0-80	500.89	99.40	99.30
0-90	504.27	100.10	100.00
10-90	479.46	95.10	95.10
20-40	207.29	41.10	41.10
20-50	299.15	59.40	59.30
40-70	183.54	36.40	36.40
60-80	42.89	8.50	8.50
70-80	13.45	2.70	2.70
80-90	3.38	0.70	0.70
90-110	0.00	0.00	0.00
90-120	0.00	0.00	0.00
90-130	0.00	0.00	0.00
90-150	0.00	0.00	0.00
90-180	0.00	0.00	0.00
110-180	0.00	0.00	0.00
0-180	504.27	100.10	100.00



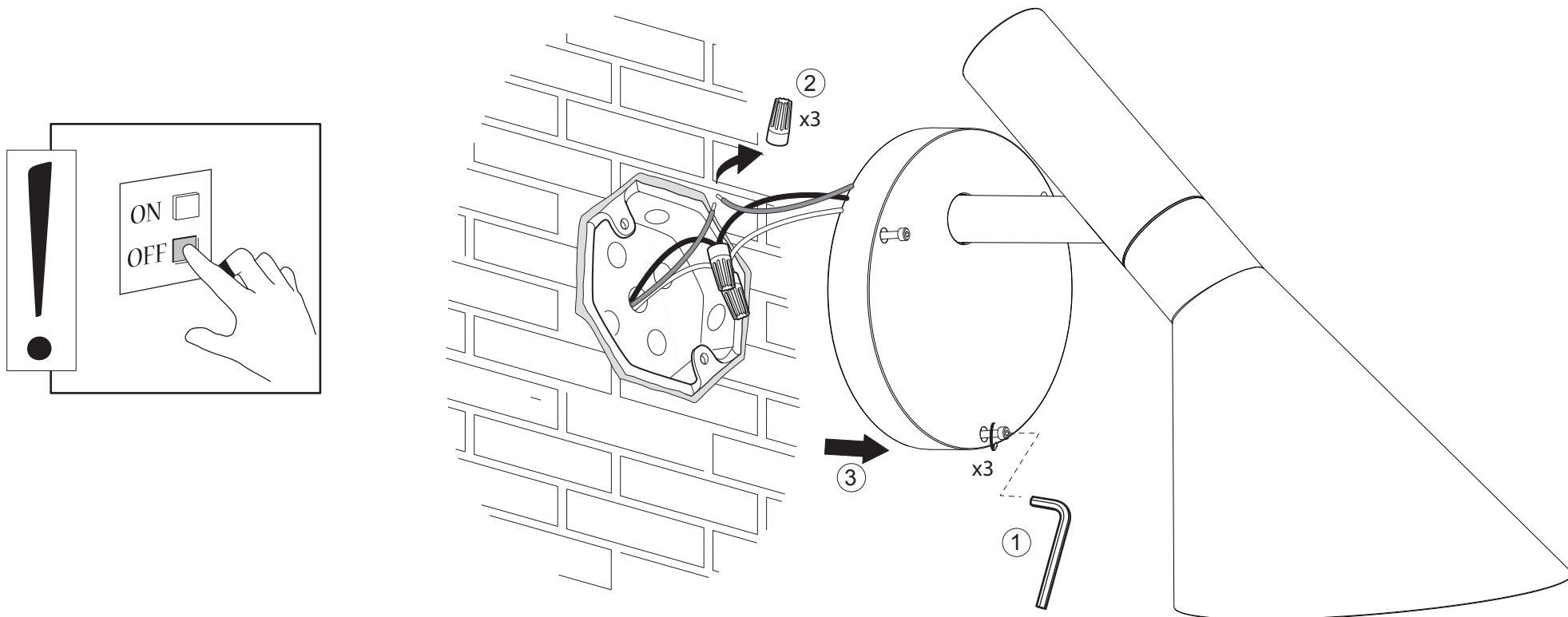
3 mm



Must be installed by competent electrician.

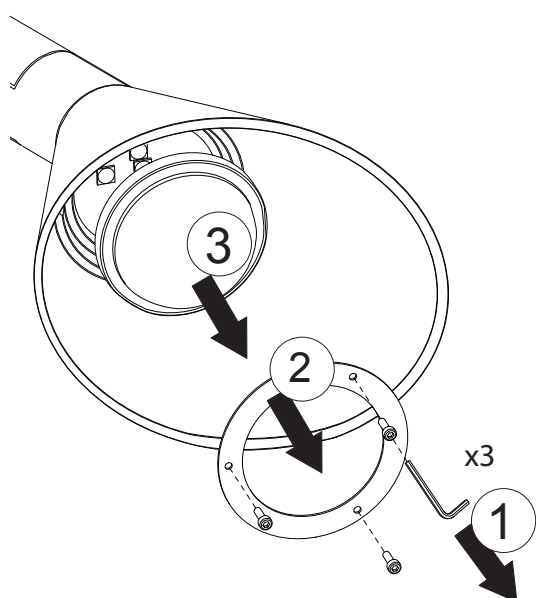
1000085885

1.

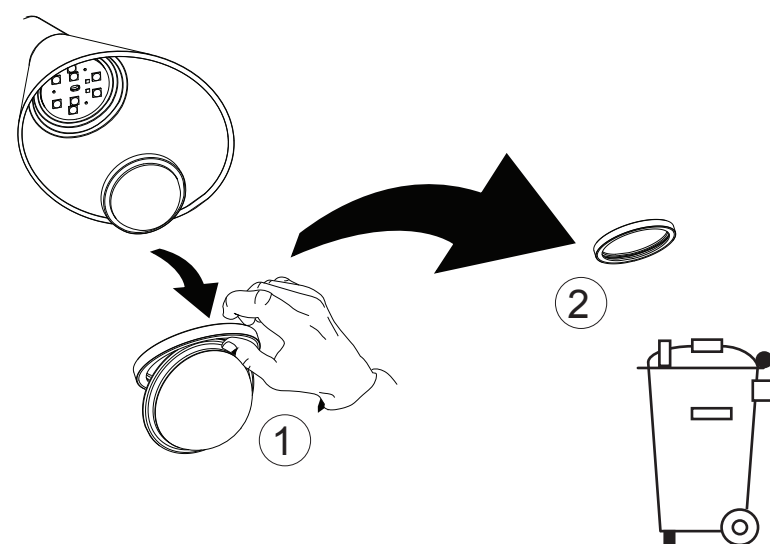


2.

2,5 mm

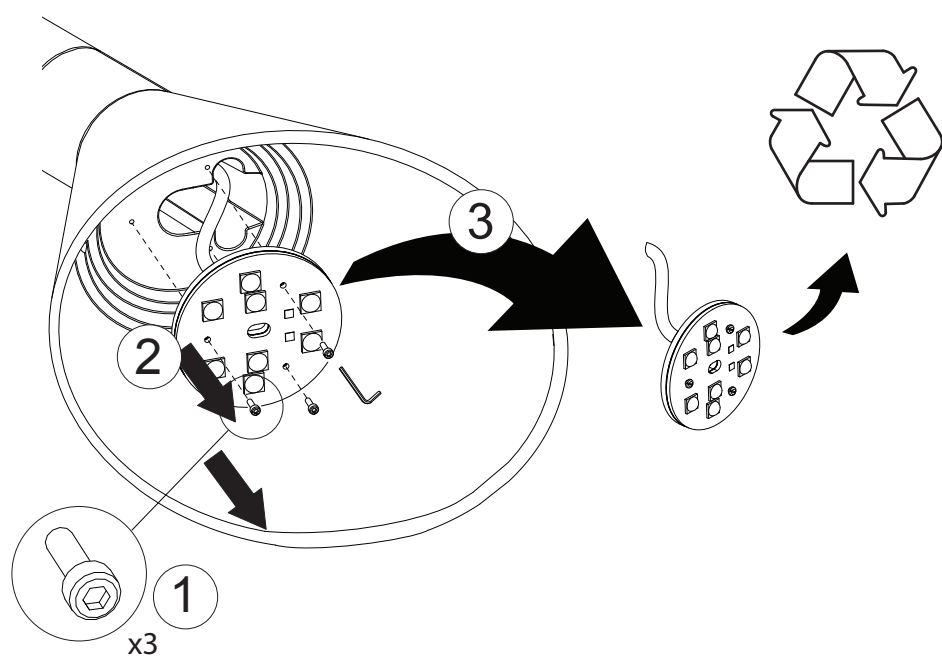


3.

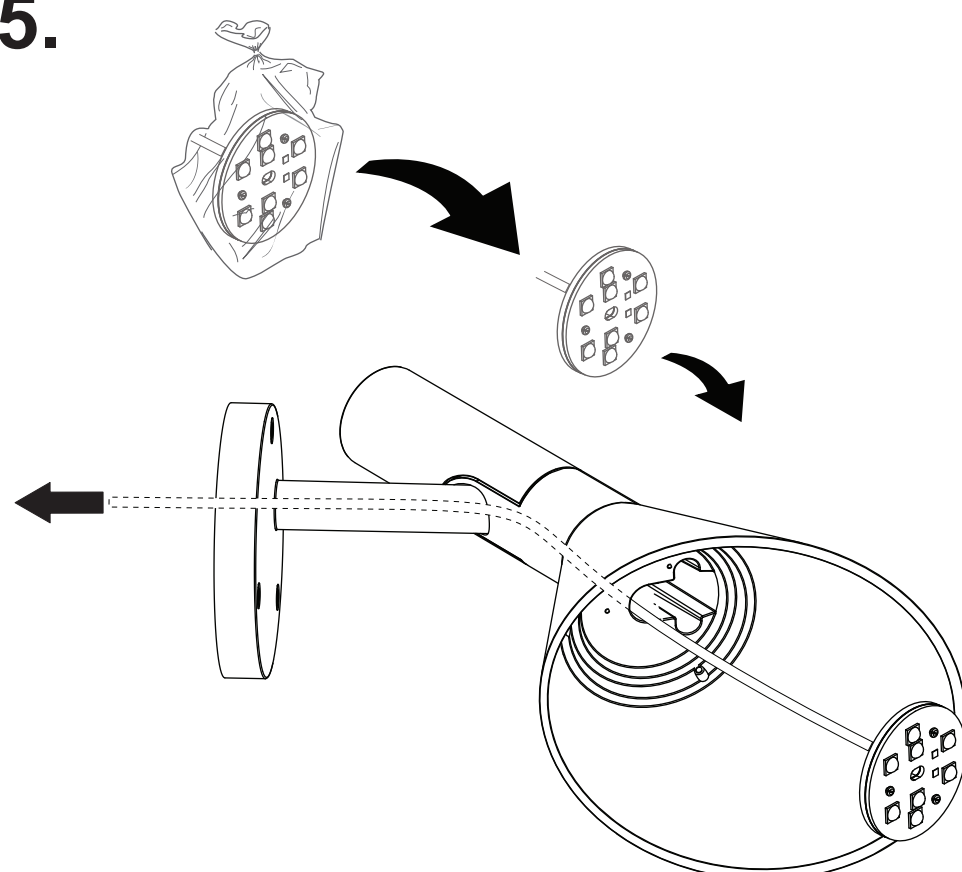


4.

1,5 mm



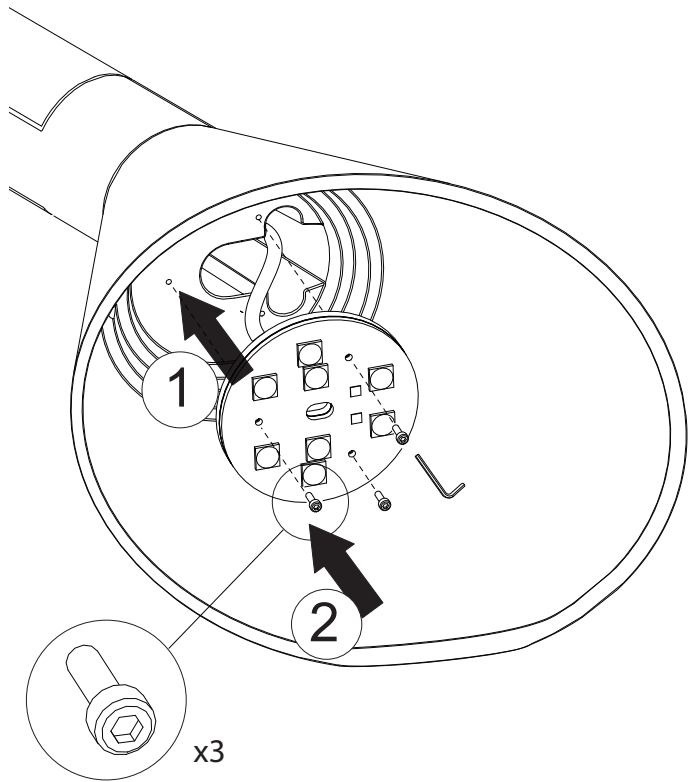
5.



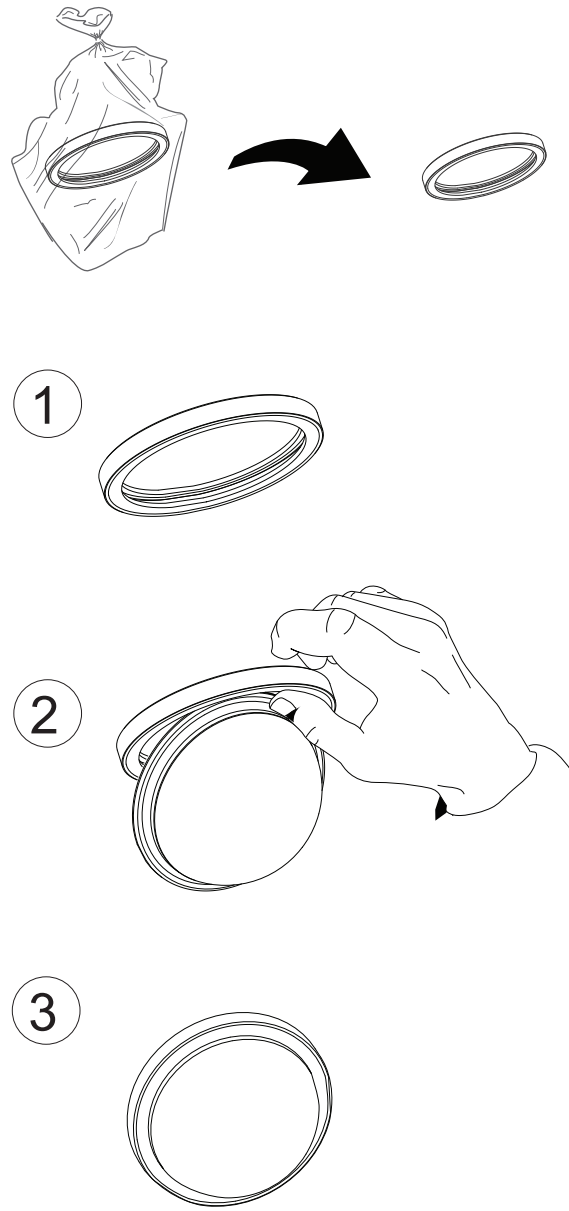


1,5 mm

6.

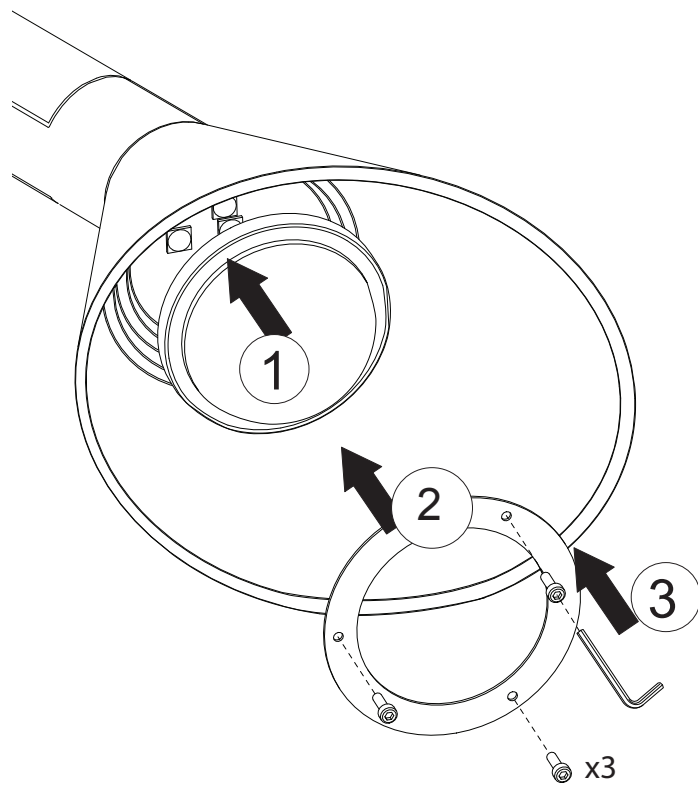


7.

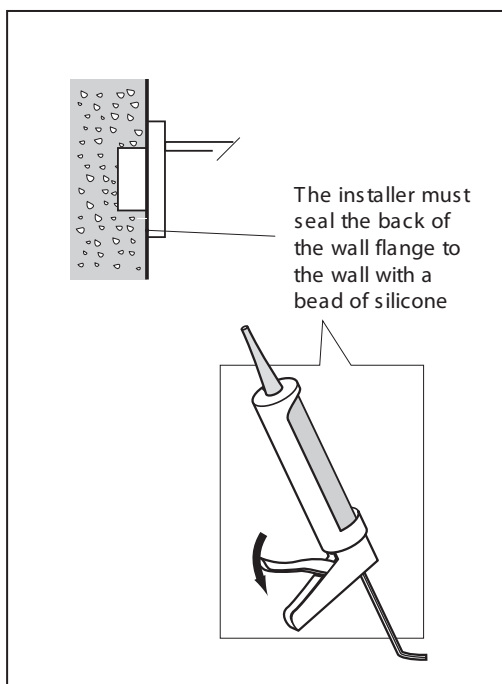


8.

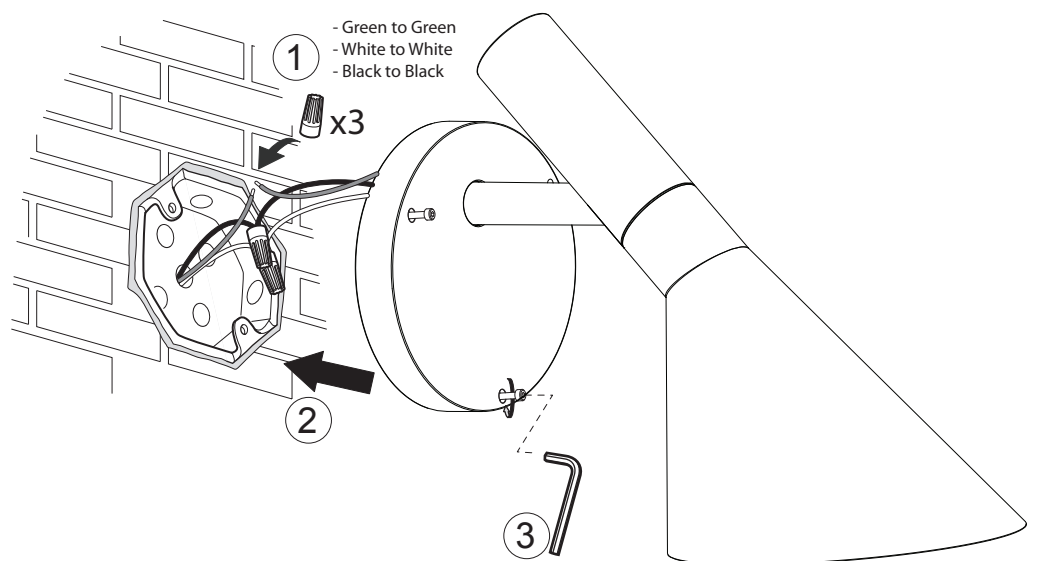
2,5 mm



9.

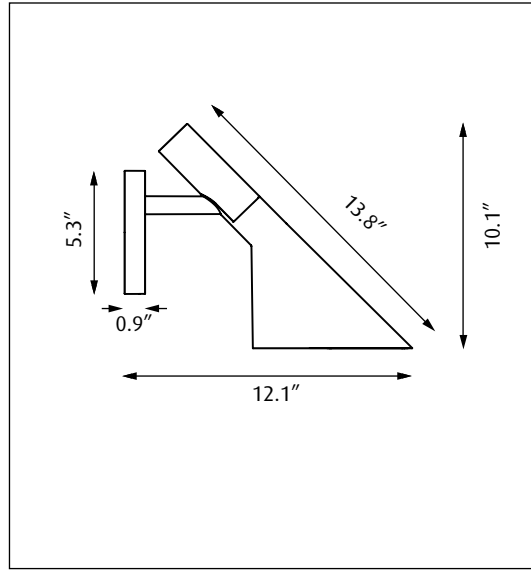


The installer must seal the back of the wall flange to the wall with a bead of silicone



Aj 50 Wall Outdoor

Design Arne Jacobsen



31102-11

Light source	Voltage	Weight	Electric shock protection	Ingress protection
LED	120V/60 Hz	4.5 lbs	Cl. I, Grounded	IP 65, Wet location

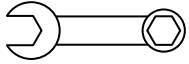
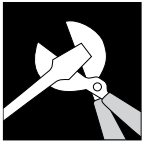
Recommended cleaning substances:
Wipe off dust with a dry, soft cloth.

Remove greasy spots etc. with a soft cloth dampened in lukewarm water (<122° F/ 50° C) with a mild detergent.

Warning: Scouring powder and similar substances will scratch surfaces.

All installation is subject to local code and jurisdiction.

Consult a qualified electrician to ensure correct branch circuit conductor.



For instalation
Over a 4" junction box

