



Washbasins Over countertop In-Out
ACER1061Z

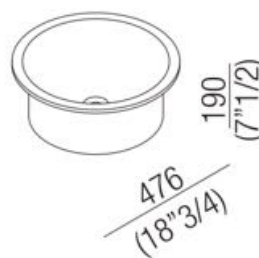
Benedini Associati, 2010

Over countertop washbasin h 19 cm (7" 1/2)

Finishes



White



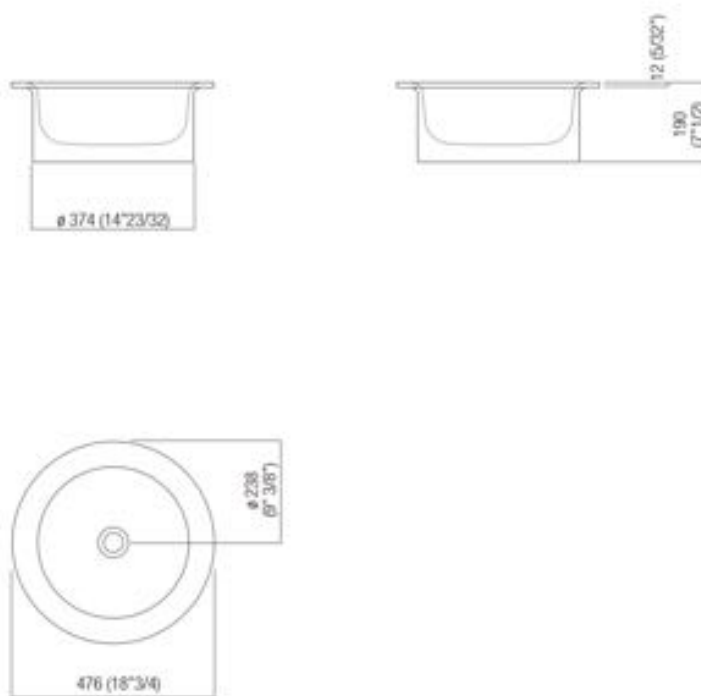
Circular over countertop washbasin in white Exmar, without tap hole and overflow. Designed for waste .MET0563.

Materials used: Exmar.

Height:	19.0 cm	7"1/2 inches
Diameter:	48.0 cm	18"7/8 inches
Weight:	10.0 kg	22 lbs
Packaging measurements:	58 x 58 x 29 cm	22"7/8 x 22"7/8 x 11"3/8 inches
Weight with packaging:	13.0 kg	29 lbs

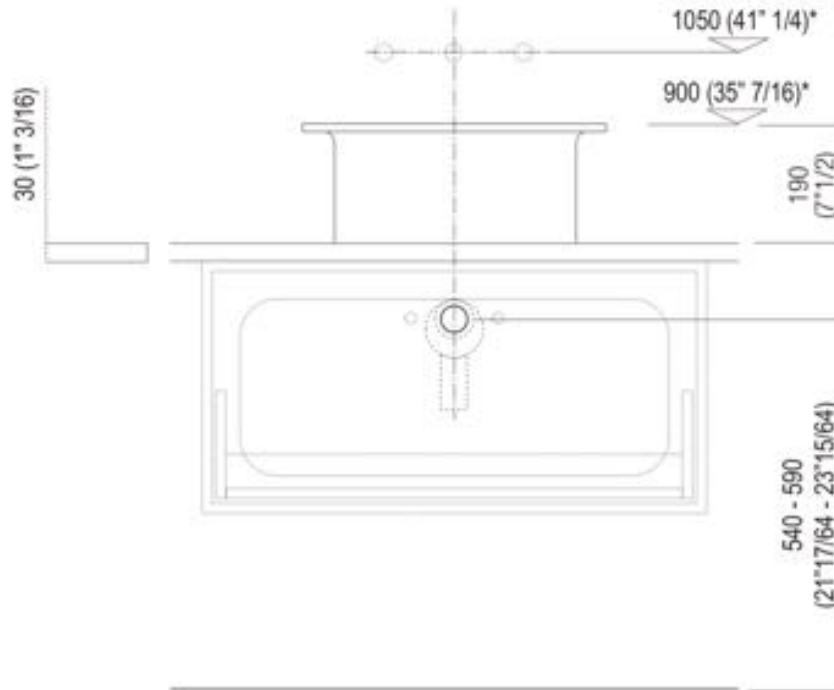


Main dimensions





Installation notes: countertop to be rested on cabinet with thickness cm 3 (1"3/16)

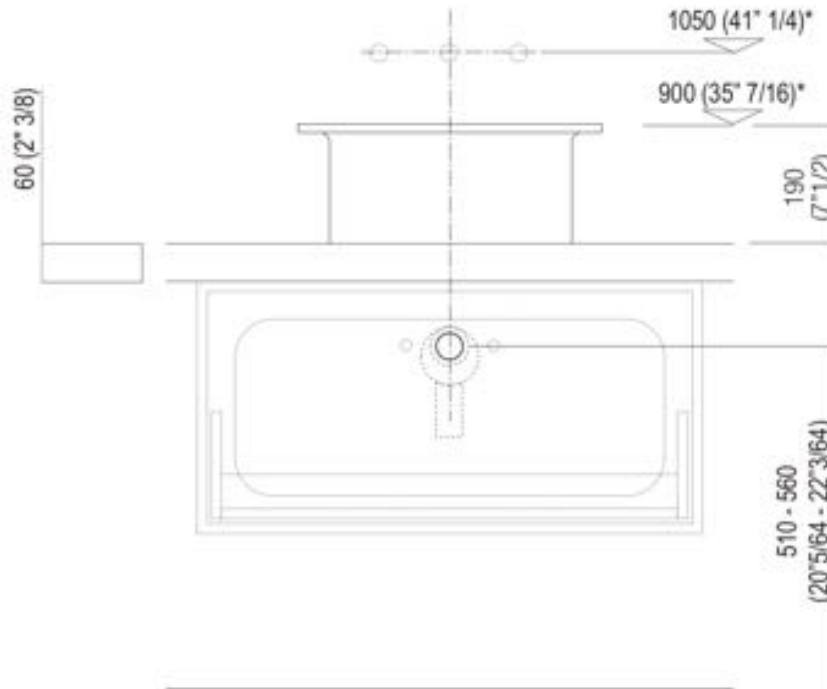


Scarico per sifone a bottiglia e ad incasso
 Drain for bottle trap and concealed waste trap

*h.consigliata / advised h.



Installation notes: countertop to be rested on cabinet with thickness cm 6 (2"3/8)

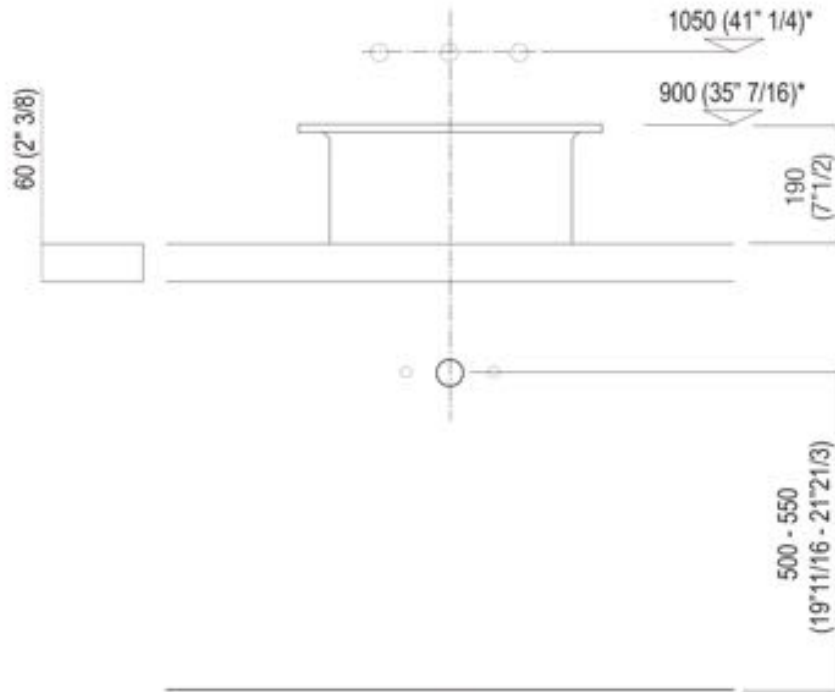


Scarico per sifone a bottiglia e ad incasso
 Drain for bottle trap and concealed waste trap

*h.consigliata / advised h.



Installation notes: countertop with concealed wall fixings/freestanding with thickness cm 6 (2"3/8)

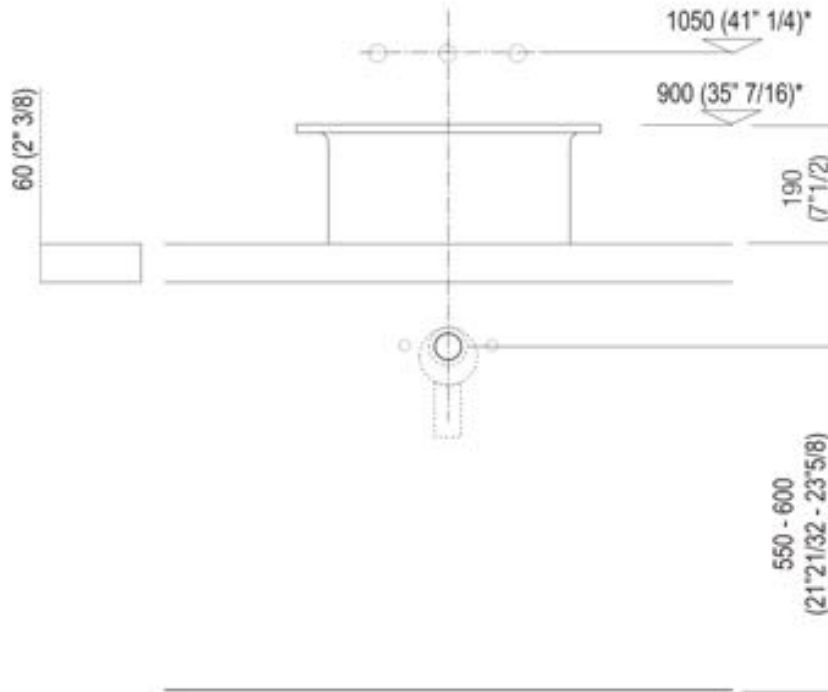


Scarico per sifone a bottiglia
 Drain for bottle trap

*h.consigliata / advised h.



Installation notes: countertop with concealed wall fixings/freestanding with thickness cm 6 (2"3/8)

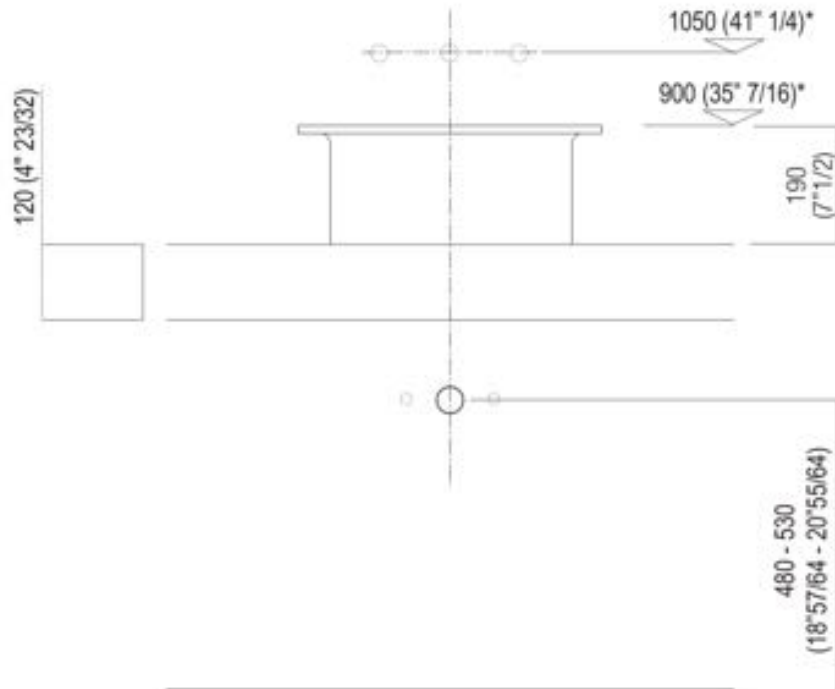


Scarico per sifone ad incasso
 Drain for concealed waste trap

*h.consigliata / advised h.



Installation notes: countertop with concealed wall fixings/freestanding with thickness cm 12 (4"23/32)

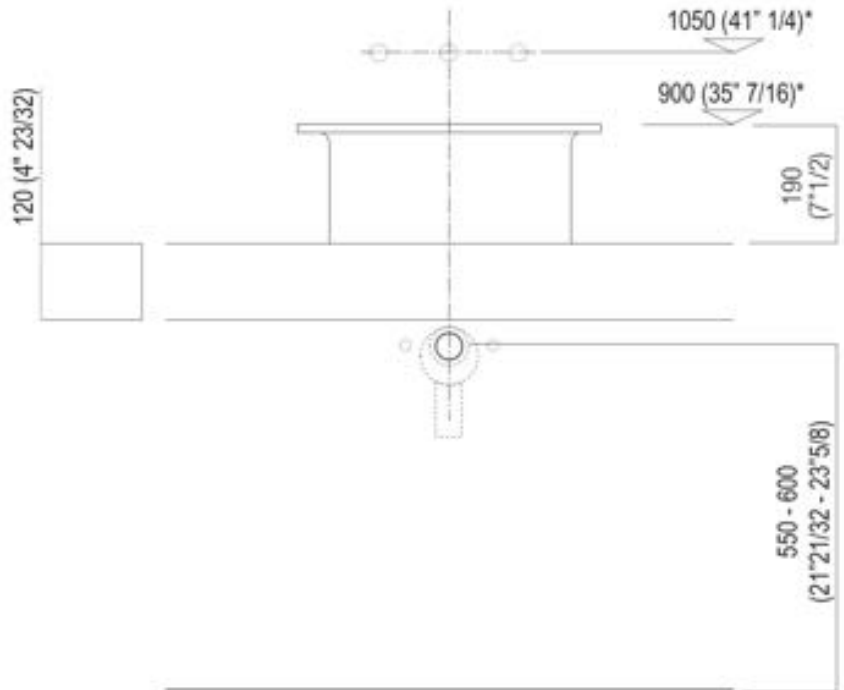


Scarico per sifone a bottiglia
 Drain for bottle trap

*h.consigliata / advised h.



Installation notes: countertop with concealed wall fixings/freestanding with thickness cm 12 (4"23/32)

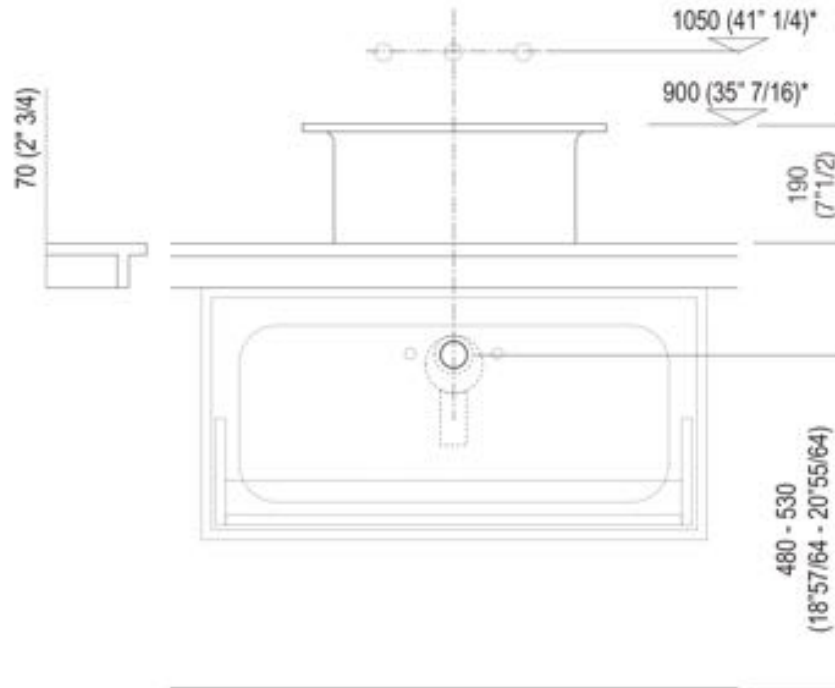


Scarico per sifone ad incasso
 Drain for concealed waste trap

*h.consigliata / advised h.



Installation notes: countertop Evoluzione

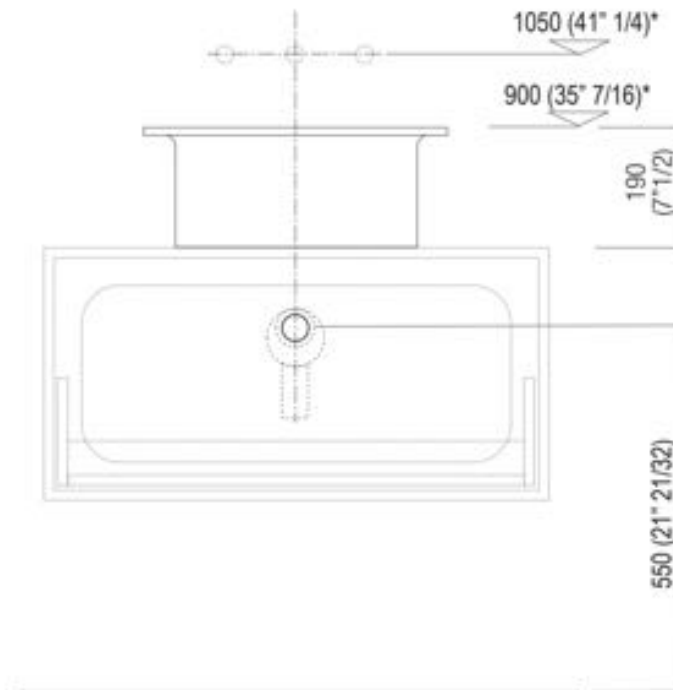


Scarico per sifone a bottiglia e ad incasso
 Drain for bottle trap and concealed waste trap

*h.consigliata / advised h.



Installation notes: on casing H 40 cm Lato

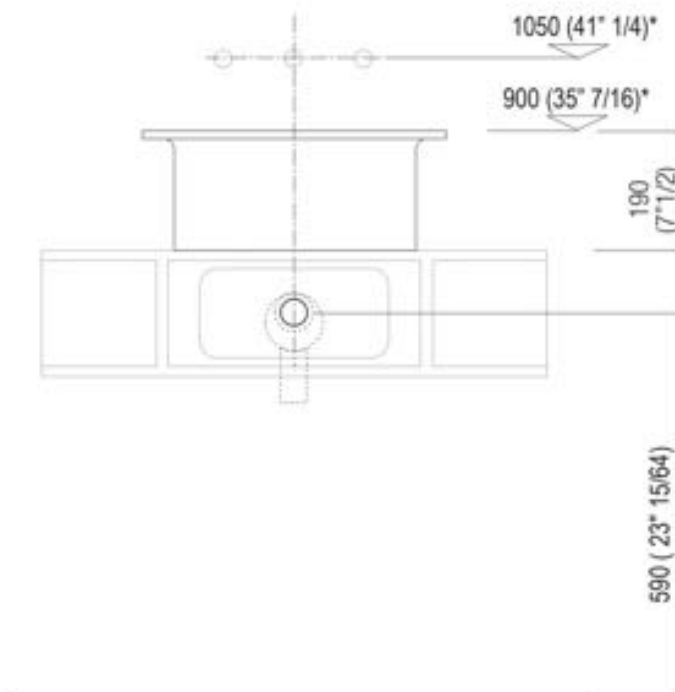


Scarico per sifone a bottiglia e ad incasso
Drain for bottle trap and concealed waste trap

*h.consigliata / advised h.



Installation notes: on casing H 20 cm Lato



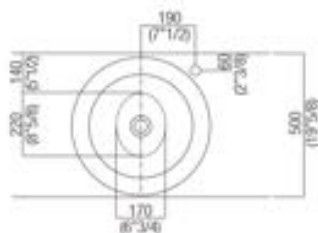
Scarico per sifone a bottiglia e ad incasso
 Drain for bottle trap and concealed waste trap

*h.consigliata / advised h.

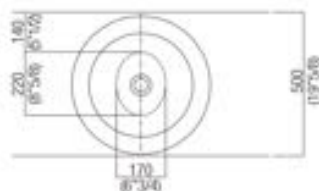
Holes for countertop washbasins and top mounted taps for top

PIANO cm 50 / COUNTERTOP cm 50

Posizione standard per rubinetto su piano
 Standard position for top mounted tap



Posizione standard per rubinetto a parete
 Standard position for wall mounted tap



Posizione speciale per rubinetto Sen a parete e Square con bocca curva
 Special position for wall mounted tap Sen and Square white curved spout

**NON NECESSARIA
 NOT NECESSARY**



Tap position, recommended height

POSIZIONE RUBINETTERIA / TAP POSITION

Altezza consigliata / Recommended height

