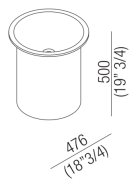




Washbasins In-Out
ACER1067Z

Benedini Associati, 2010

Over countertop washbasin h 50 cm (19" 3/4), designed for wall drainage



Finishes



White

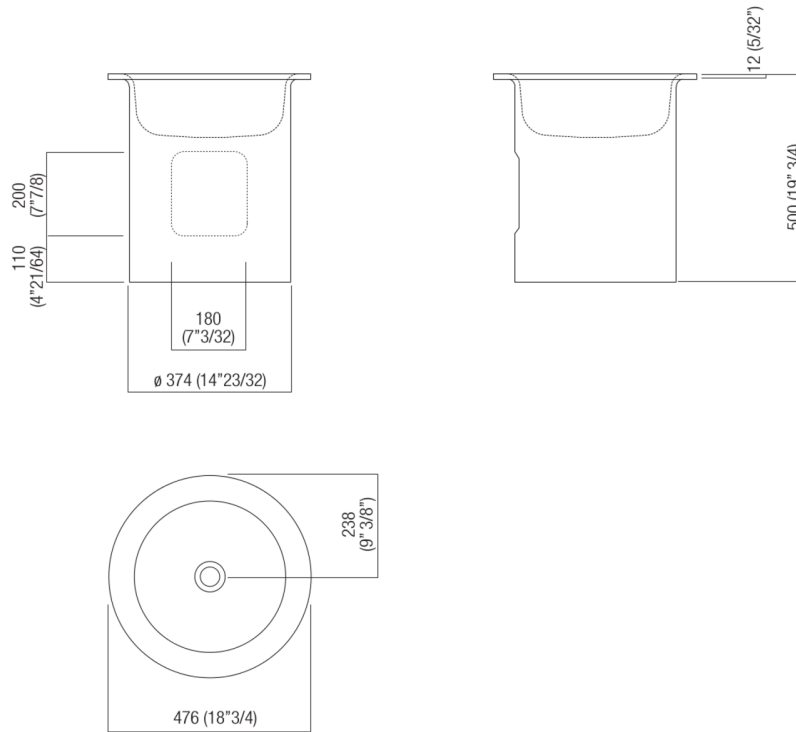
Circular over countertop washbasin in white Exmar, without tap hole and overflow. Designed for waste .MET0563.

Materials used: Exmar.

Height:	50.0 cm	19"3/4 inches
Diameter:	48.0 cm	17"7/8 inches
Weight:	30.0 kg	66 lbs
Packaging measurements:	58 x 58 x 60 cm	22"7/8 x 22"7/8 x 23"5/8 inches
Weight with packaging:	33.0 kg	73 lbs

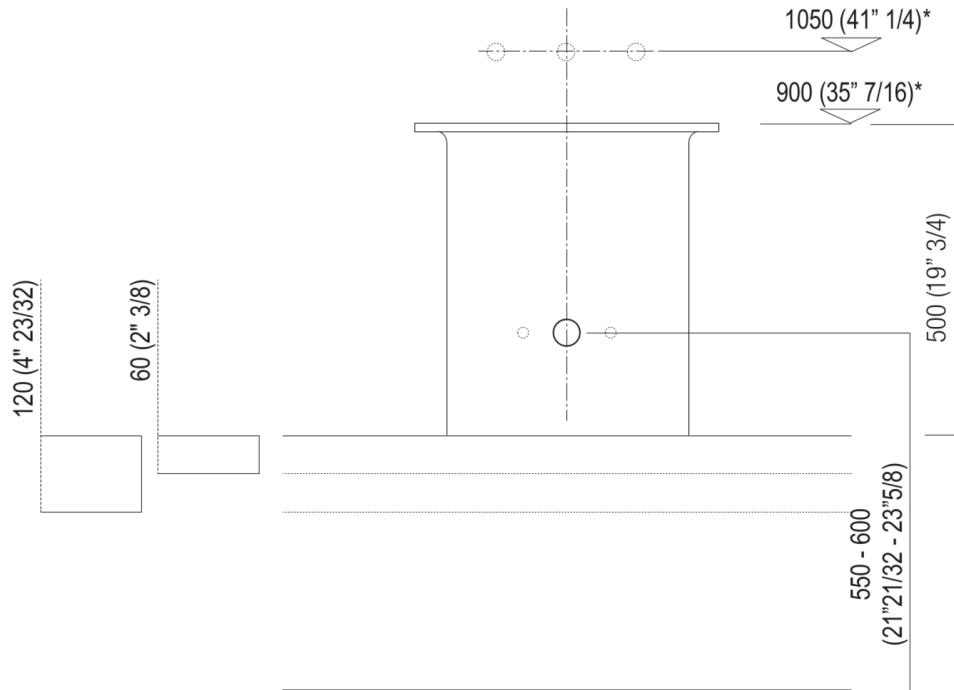


Main dimensions





Installation notes

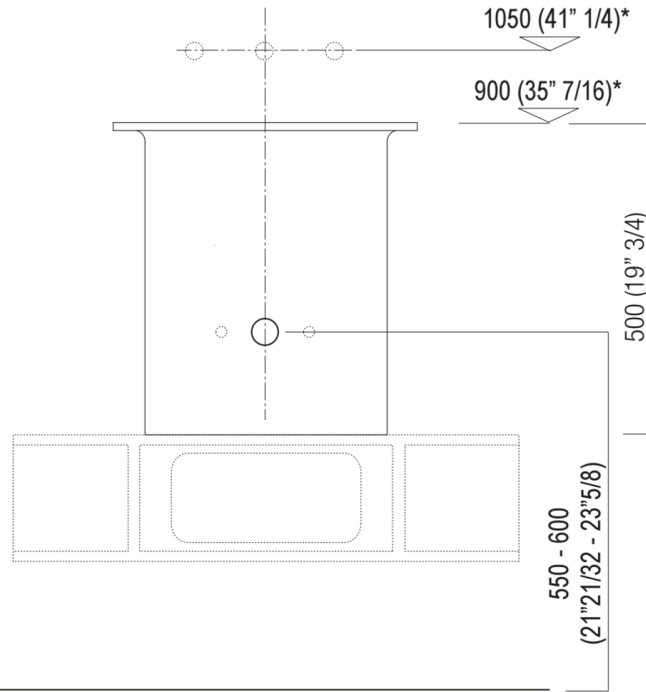


Scarico per sifone a bottiglia
Drain for bottle trap

*h.consigliata / advised h.



Installation notes: on casing H 20 cm Lato



**Scarico per sifone a bottiglia
Drain for bottle trap**

*h. consigliata / advised h.

Holes for countertop washbasins and top mounted taps for top

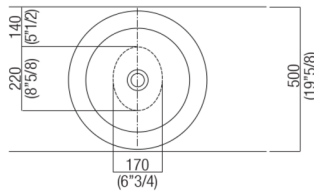
PIANO cm 50 / COUNTERTOP cm 50

Posizione standard per rubinetto su piano
Standard position for top mounted tap

Posizione standard per rubinetto a parete
Standard position for wall mounted tap

Posizione speciale per rubinetto Sen a parete e Square con bocca curva
Special position for wall mounted tap Sen and Square white curved spout

NON POSSIBILE
NOT POSSIBLE



NON NECESSARIA
NOT NECESSARY



Tap position, recommended height

POSIZIONE RUBINETTERIA / TAP POSITION

Altezza consigliata / Recommended height

